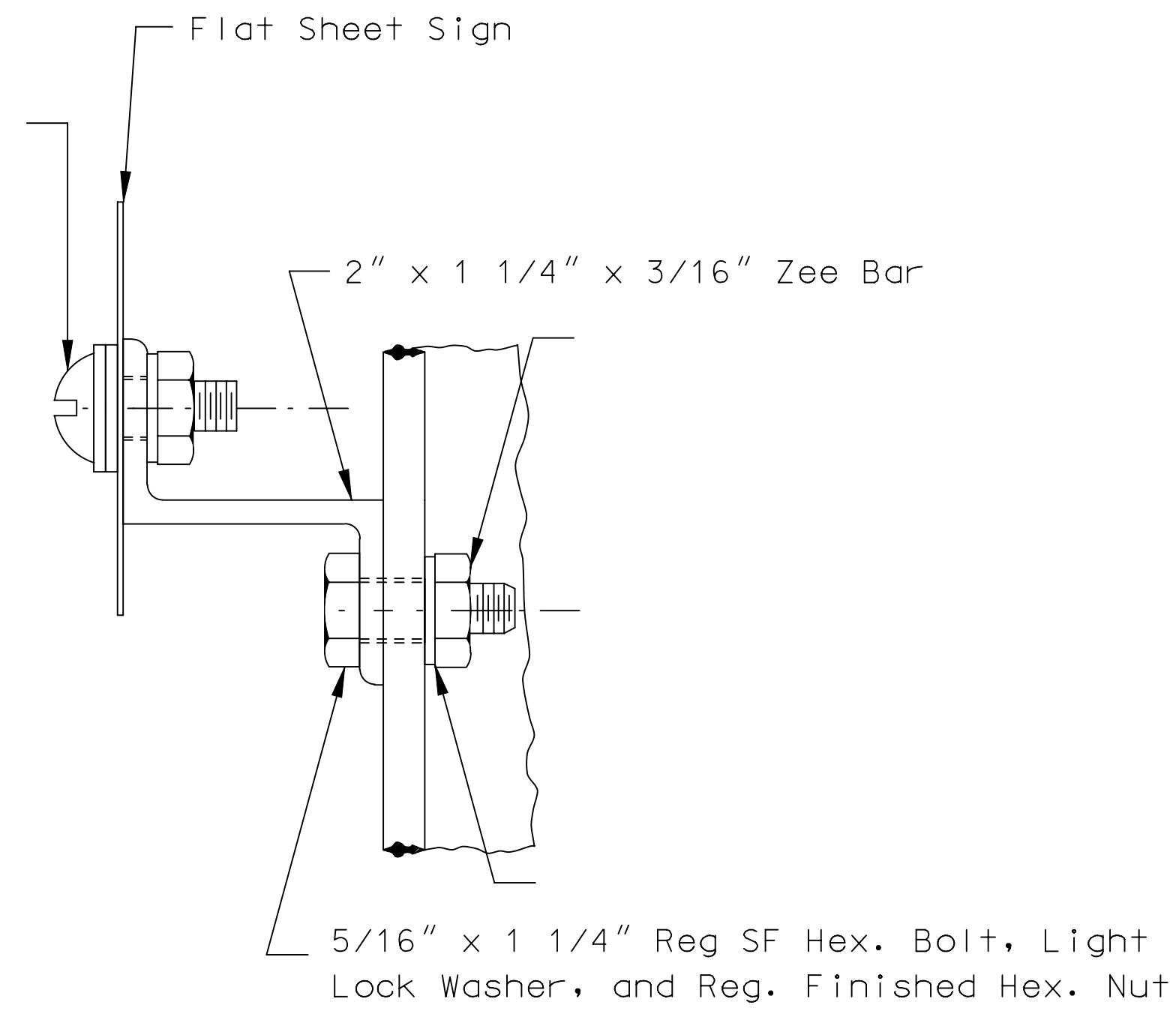
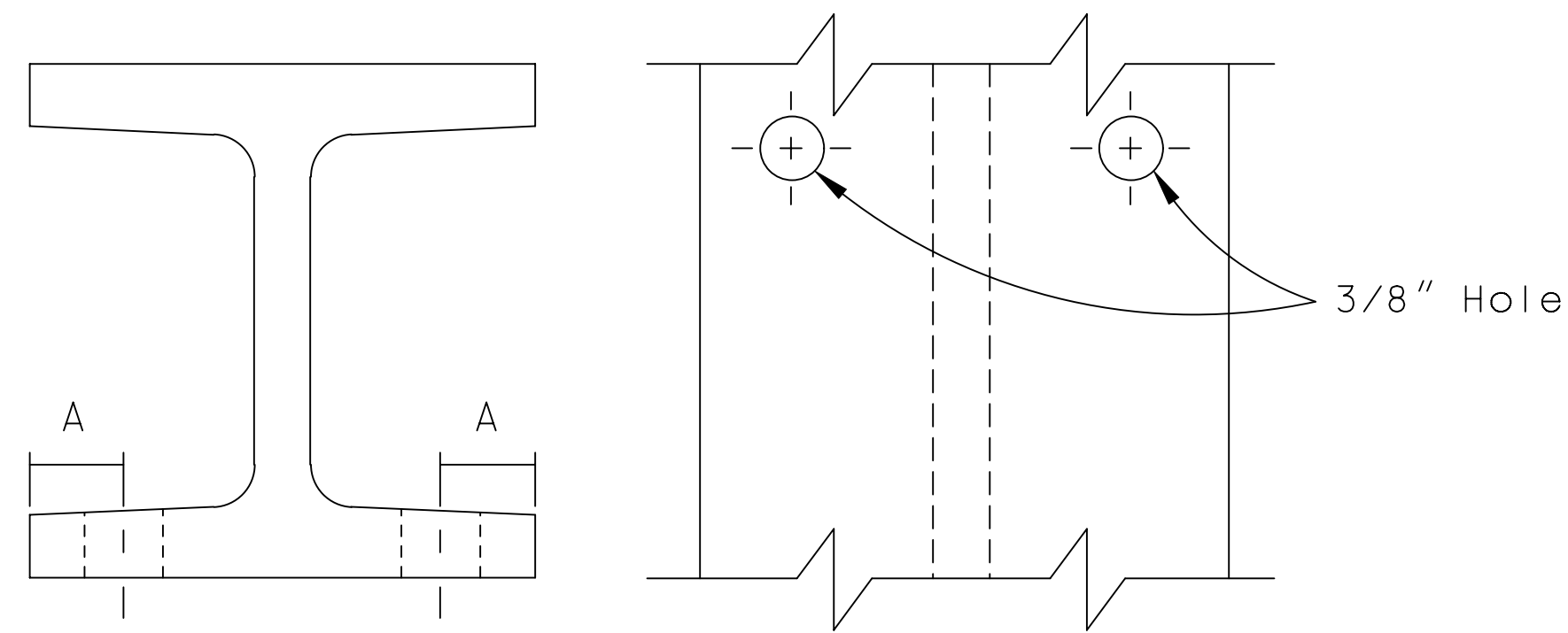


5/16" x 1" Round Head Screw, Plain Washer, Nylon Washer, Light Lock Washer, and Reg. Finished Hex. Nut

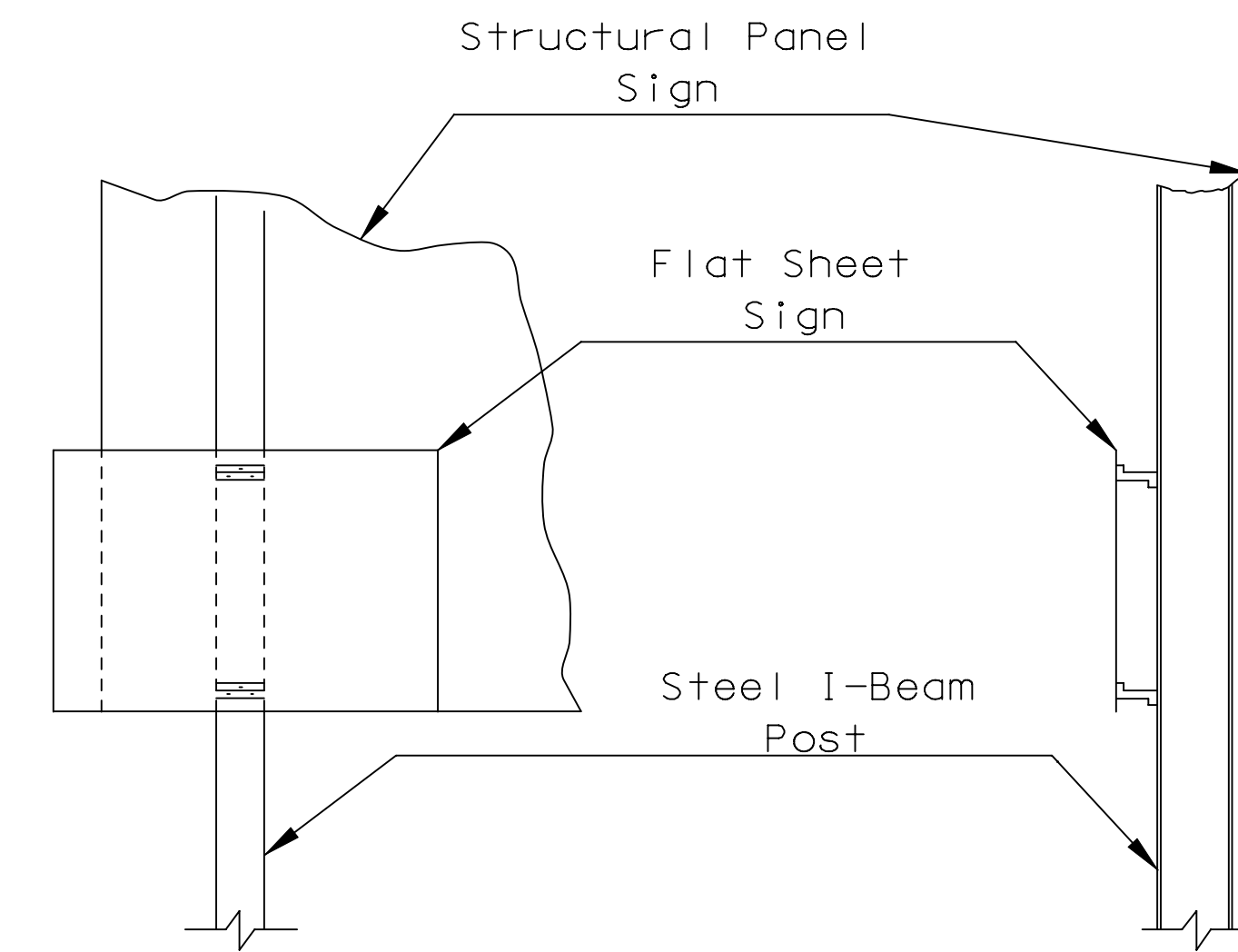


SECTION A-A

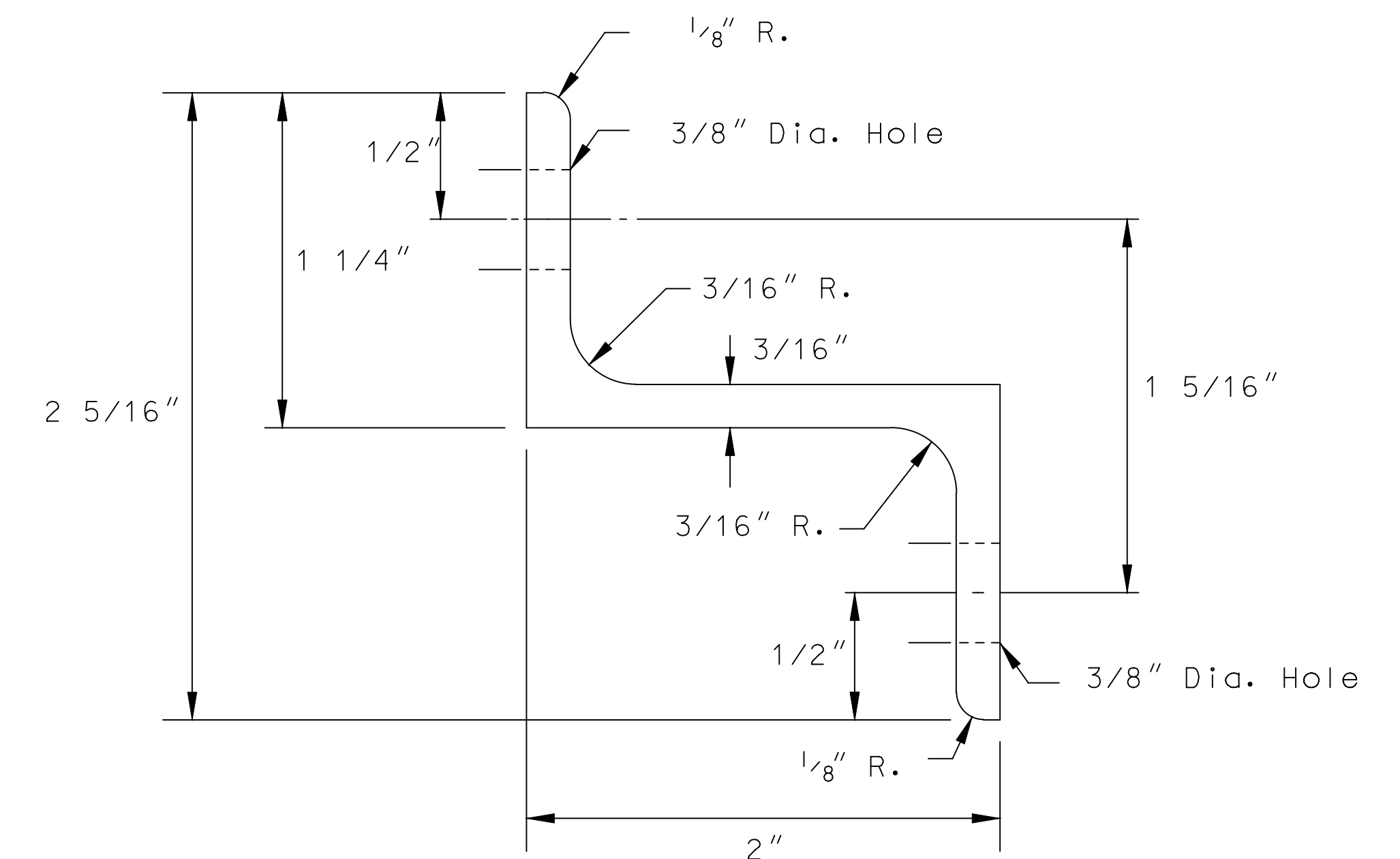
BEAM	A
S3X5.7	7/16"
W6X9	3/4"
W10X12	1 1/4"
W10X22	1 1/4"



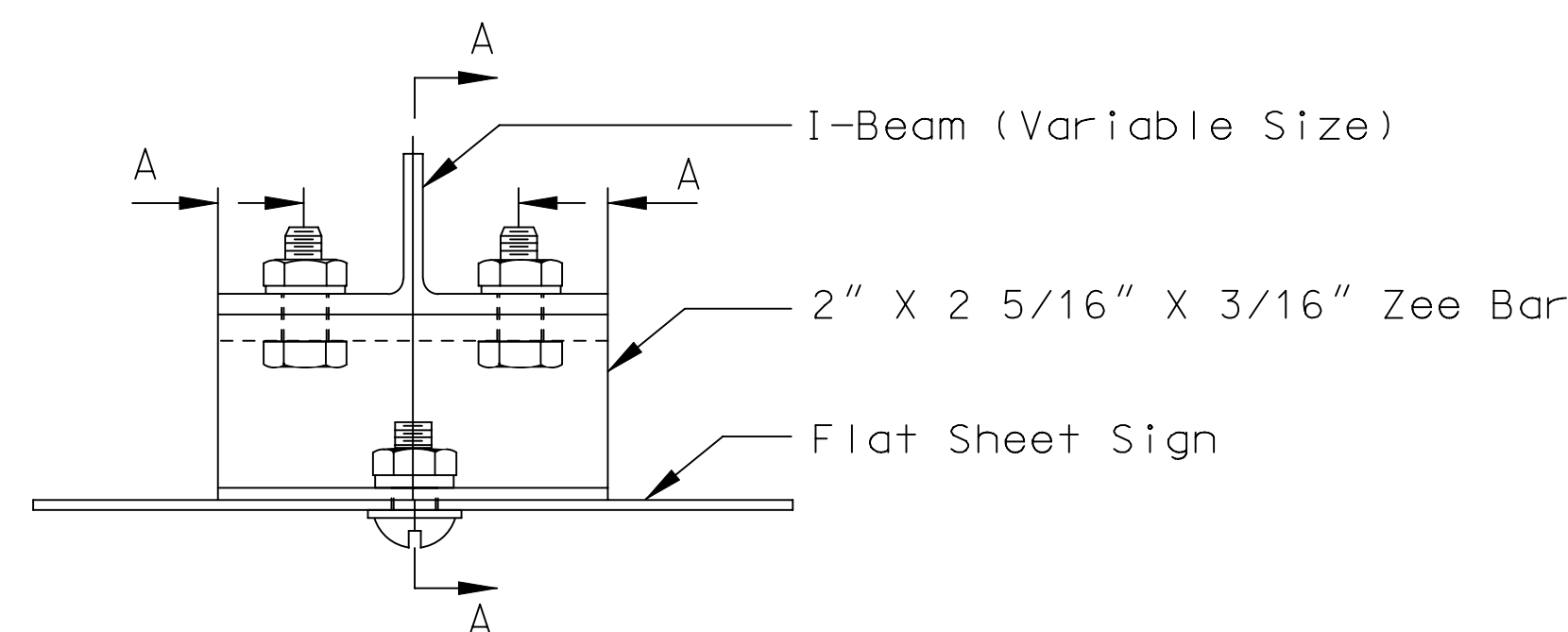
Typical I-Beam



Typical Mounting



Typical Zee Bar



NOTE:

All bolts, nuts, washers & machine screws shall be steel.

All dimensions are in inches.

NO.	DATE	REVISIONS	BY	APP'D
3				
2				
1				

KANSAS DEPARTMENT OF TRANSPORTATION
DETAILS FOR MOUNTING
FLAT SHEET SIGN ON
STEEL I-BEAM POST

TE487 07-01-03

DESIGNED	DDG	DATE	07-22-2003	APP'D	Steven A. Buckley
DESIGN CK.	SAB	DETAIL CK.	DDG	QUANTITIES	TRACED
				QUAN. CK.	TRACE CK.

Plotted By : gdr
 Plot File : I:\2009\09213\Standards\09213-Standards-TE487.dgn
 Plot Date : 9/16/2009