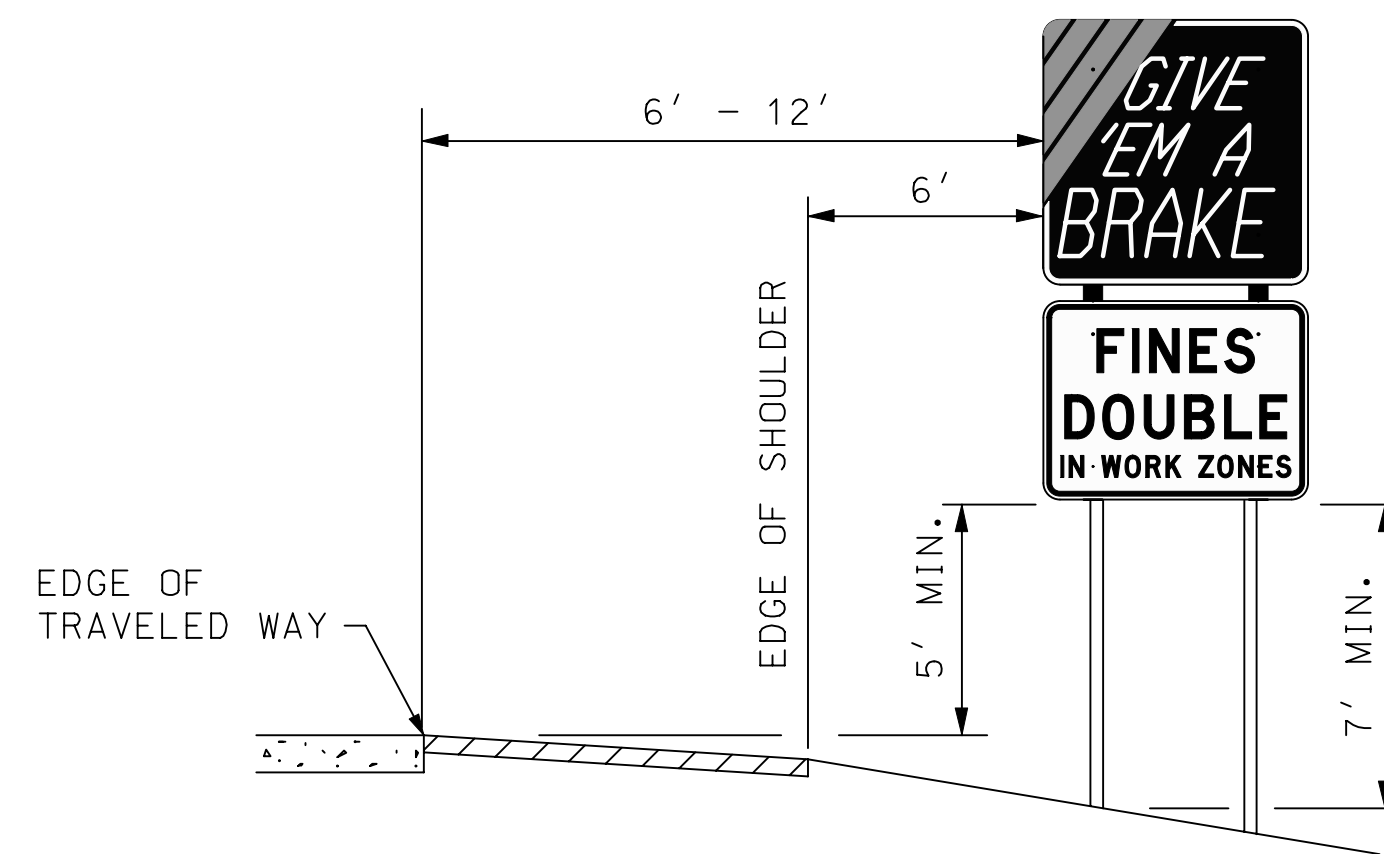


KI-104a

COLORS:
 BACKGROUND - BLACK
 BORDER - WHITE
 LEGEND - WHITE
 STRIPES - ORANGE

BORDER WIDTH - 1"
 STRIPE WIDTH - 4"
 CORNER RADIUS - 3"

LEGEND:
 " GIVE " - DUTCH 801 ROMAN SWC - 25 DEGREE SLANT
 " 'EM A " - DUTCH 801 ROMAN SWC - 25 DEGREE SLANT
 " BRAKE " - DUTCH 801 ROMAN SWC - 10 DEGREE SLANT



HEIGHT AND LATERAL PLACEMENT

NOTE:
 IF THERE IS NO SHOULDER, THE SIGN SHALL BE PLACED 6'-12' FROM THE EDGE OF TRAVELED WAY AND NOT LESS THAN 6' FROM THE EDGE OF PAVED SHOULDER. SIGNS SHALL NOT OVERLAP EACH OTHER.

NOTE:

THE SIGN BLANK MATERIAL SHALL BE ALUMINUM, WOOD, OR FIBERGLASS REINFORCED PLASTIC.

THE ORANGE PORTION OF THE KI-104a SIGN SHALL BE ASTM TYPE IV SHEETING. THE WHITE PORTION SHALL BE ASTM TYPE III SHEETING.

THE KI-105a SIGN FACE SHALL BE COVERED WITH ASTM TYPE III SHEETING.

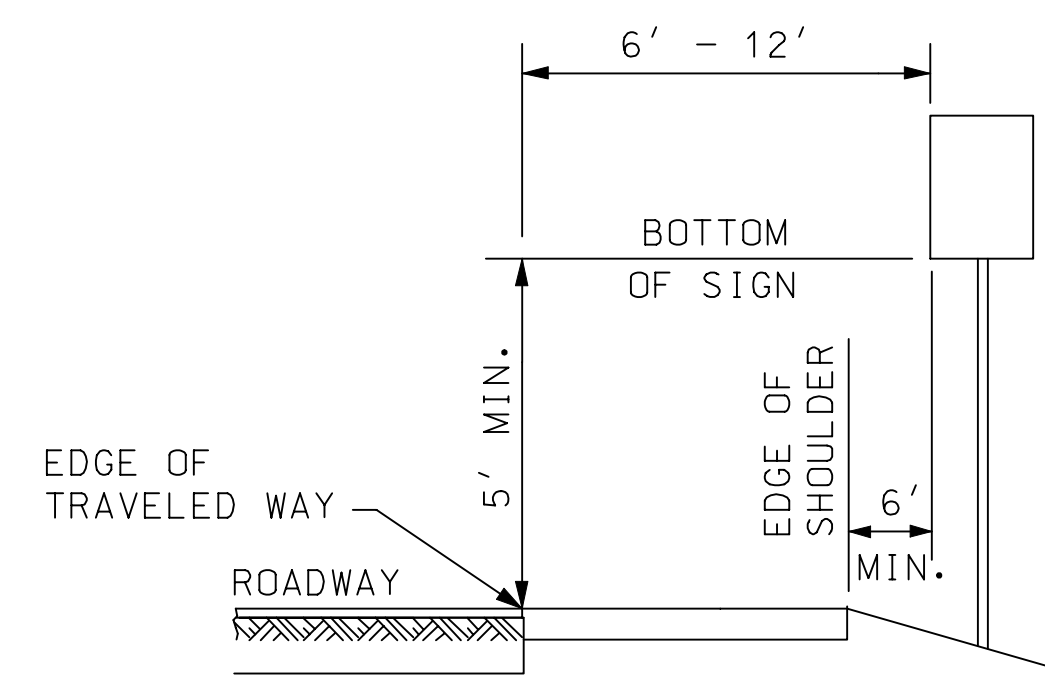
THE SIGNS ARE TO BE MOUNTED ON CRASHWORTHY SUPPORTS. BRACING, GUY WIRES AND TIE-DOWNS ARE NOT ALLOWED.

TYPICALLY, THERE ARE TWO SETS OF INFORMATIONAL SIGNS INSTALLED PER PROJECT: ONE FOR EACH DIRECTION OF TRAFFIC.

INSTALL SIGNS A MINIMUM OF 250' IN ADVANCE OF THE ROAD WORK AHEAD SIGN. THE ENGINEER MAY DESIGNATE A MORE APPROPRIATE LOCATION IF CONDITIONS DICTATE.

THE INFORMATIONAL SIGNS ARE NOT TO INTERFERE WITH THE TRAFFIC CONTROL SIGNS FOR THE PROJECT.

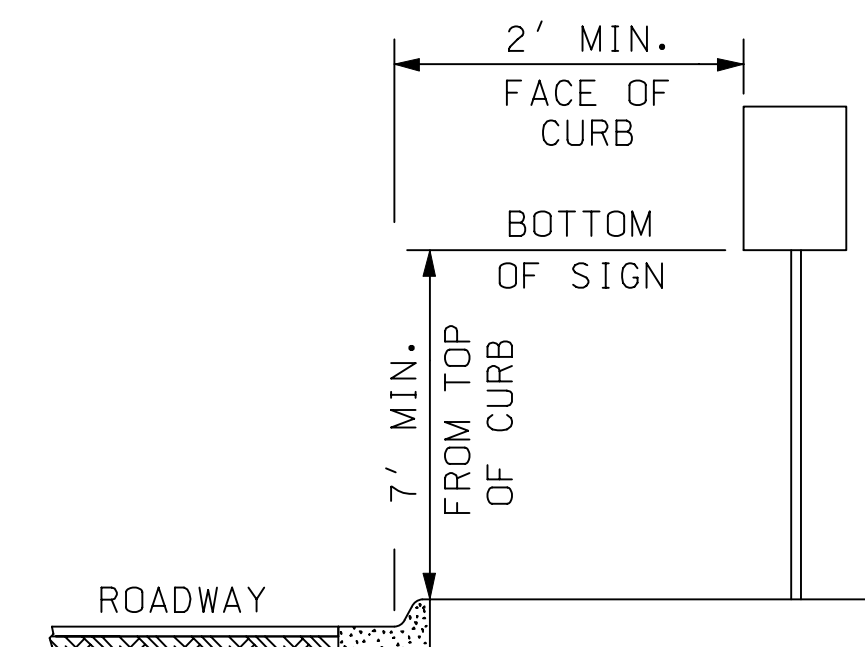
HEIGHT AND LATERAL DIMENSIONS FOR GROUND MOUNTED SIGNS
 (SIGNS LEFT IN PLACE OVER 3 DAYS)



RURAL DISTRICT

RURAL:

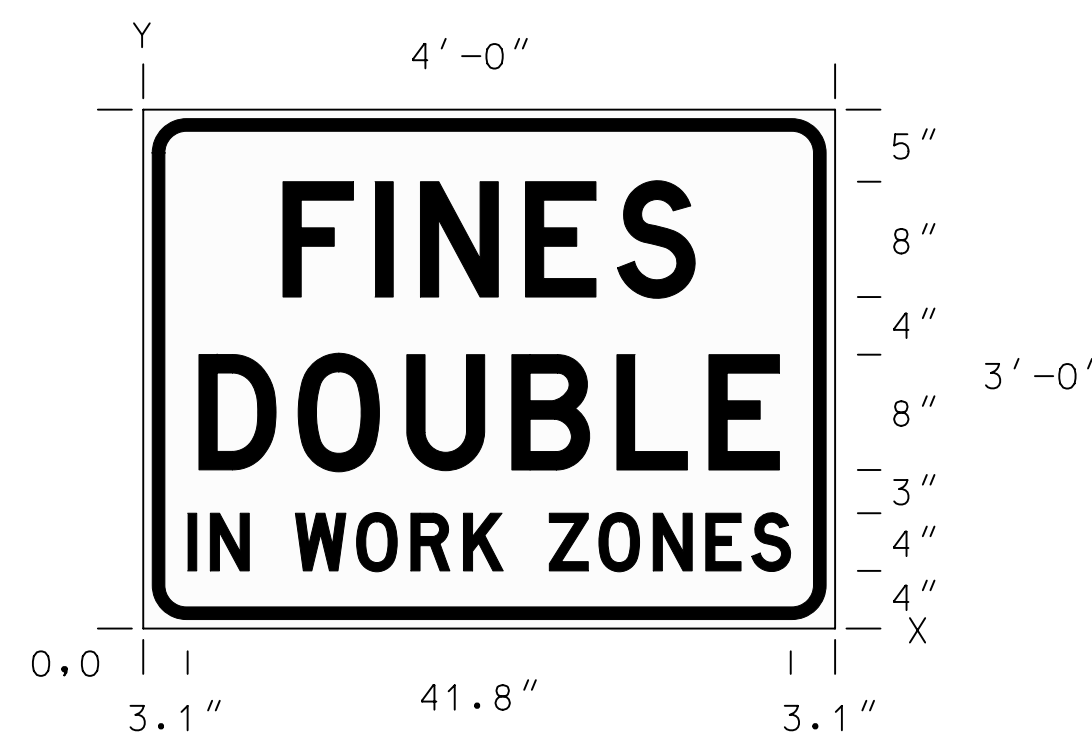
- GROUND-MOUNTED SIGNS SHALL BE MOUNTED AT A MINIMUM HEIGHT OF 5' MEASURED FROM THE BOTTOM OF SIGN TO THE NEAR EDGE OF THE PAVEMENT.
- LARGE SIGNS HAVING AN AREA EXCEEDING 50 SQUARE FEET INSTALLED ON MULTIPLE BREAKAWAY POSTS SHALL BE MOUNTED A MINIMUM OF 7' ABOVE THE GROUND.
- THE HEIGHT FROM THE BOTTOM OF THE SECONDARY SIGN MOUNTED BELOW ANOTHER SIGN MAY BE 4' MEASURED FROM THE BOTTOM OF THE SIGN TO THE NEAR EDGE OF THE PAVEMENT. SIGNS SHALL NOT OVERLAP EACH OTHER.
- SIGN SUPPORTS SHALL BE CRASHWORTHY.



URBAN DISTRICT

URBAN:

- SIGNS SHALL BE MOUNTED AT A MINIMUM HEIGHT OF 7' MEASURED FROM THE BOTTOM OF SIGN TO THE NEAR EDGE OF THE PAVEMENT.
- NEITHER PORTABLE NOR PERMANENT SIGN SUPPORTS SHOULD BE LOCATED ON SIDEWALKS OR AREAS DESIGNATED FOR PEDESTRIAN OR BICYCLE TRAFFIC.
- SIGNS MOUNTED LOWER THAN 7' SHOULD NOT PROJECT MORE THAN 4" INTO PEDESTRIAN FACILITIES.
- THE HEIGHT FROM BOTTOM OF THE SECONDARY SIGN MOUNTED BELOW ANOTHER SIGN MAY BE 6' MEASURED FROM THE BOTTOM OF SIGN TO THE NEAR EDGE OF THE PAVEMENT. SIGNS SHALL NOT OVERLAP EACH OTHER.
- LARGE SIGNS HAVING AN AREA EXCEEDING 50 SQUARE FEET INSTALLED ON MULTIPLE BREAKAWAY POSTS SHALL BE MOUNTED A MINIMUM OF 7' ABOVE THE GROUND.
- SIGN SUPPORTS SHALL BE CRASHWORTHY.



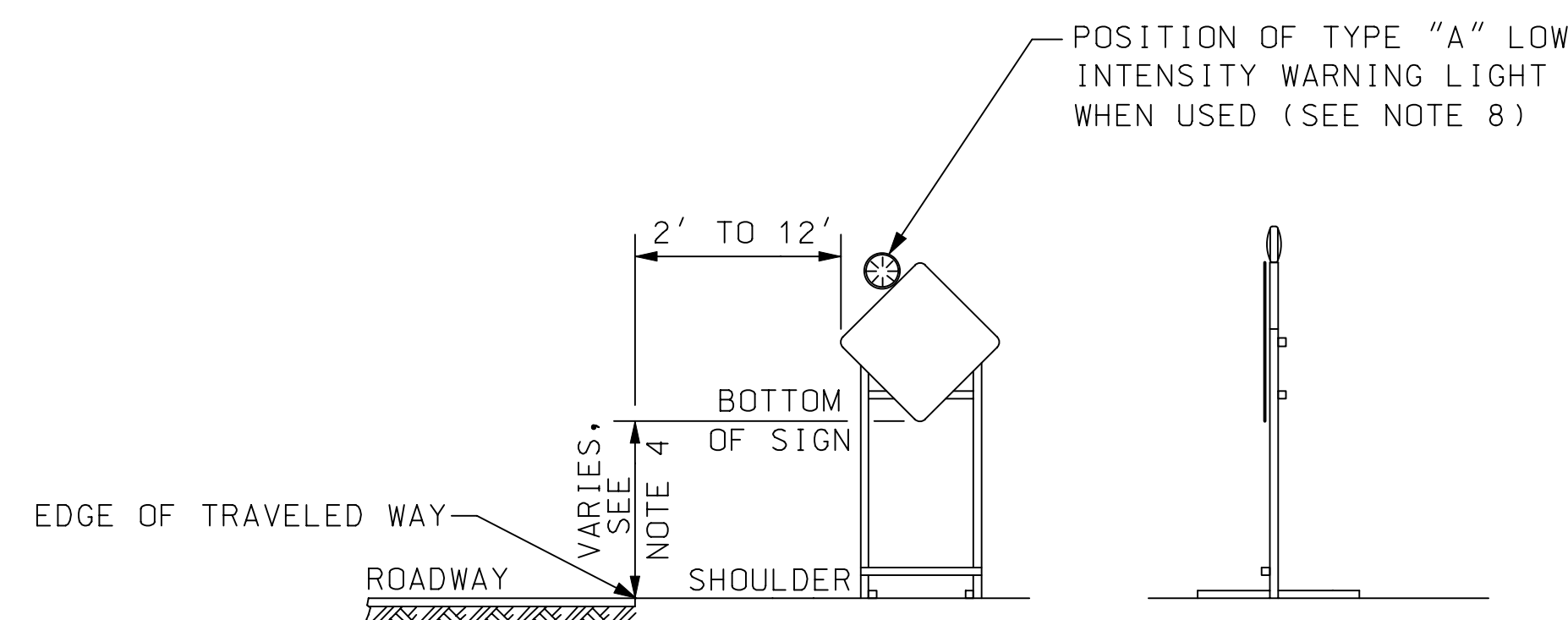
KI-105a

| | |
|----------------|----------------------|
| SIGN NUMBER | FINES DOUBLE |
| WIDTH x HEIGHT | 4'-0" x 3'-0" |
| BORDER WIDTH | 0.9" |
| CORNER RADIUS | 3.0" |
| MOUNTING | GROUND |
| BACKGROUND | TYPE: REFLECTIVE |
| | COLOR: WHITE |
| LEGEND/BORDER | TYPE: NON-REFLECTIVE |
| | COLOR: BLACK |

DIMENSIONS IN INCHES

SPACINGS ARE TO START OF NEXT LETTER

| FONT | LETTER SPACINGS | | | | | | | | | | | | | HT LEN | | |
|------|-----------------|-----|-----|-----|-----|-----|-----|-----|-----|-----|-----|-----|-----|--------|-----|------|
| 23.0 | FINE S | | | | | | | | | | | | | 8.0 | | |
| D | 9.7 | 6.4 | 3.2 | 7.3 | 6.4 | 5.4 | 9.7 | | | | | | | 28.6 | | |
| 11.0 | DOUBLE | | | | | | | | | | | | | 8.0 | | |
| D | 3.9 | 6.9 | 7.5 | 7.3 | 7.3 | 6.4 | 4.9 | 3.9 | | | | | | 40.3 | | |
| 4.0 | IN WORK ZONES | | | | | | | | | | | | | 4.0 | | |
| D | 3.1 | 1.6 | 2.7 | 3.2 | 4.3 | 3.8 | 3.6 | 2.8 | 3.2 | 3.4 | 3.8 | 3.6 | 3.2 | 2.7 | 3.1 | 41.8 |



(SEE NOTE 4 FOR "ROLL-UP" SIGNS OPTION)

HEIGHT AND LATERAL DIMENSIONS FOR SIGNS MOUNTED ON SKIDS OR OTHER SUPPORTS ON PAVEMENT

| | | | | |
|-----|----------|--|------|--------|
| 3 | 4-20-09 | ADDED DETAIL FOR SKID MOUNTED SIGNS | J.M. | A.A.A. |
| 2 | 8-8-07 | KI104 & KI105 CHANGE, ADDED GROUND MOUNT | M.B. | A.A.A. |
| 1 | 12-29-05 | ADD K TO I104 & I105 | M.B. | A.A.A. |
| NO. | DATE | REVISIONS | BY | APP'D |

KANSAS DEPARTMENT OF TRANSPORTATION
 GROUND AND SKID MOUNTED DETAIL
 DETAILS FOR "GIVE 'EM A BRAKE"
 AND "FINES DOUBLE" SIGNS
 TE714 9/1/00

| | | | |
|---------------|--------|-----------|----------------------|
| FHWA APPROVAL | 8-8-07 | APP'D | Anthony A. Alrobalre |
| DESIGNED | B.A.H. | DETAILED | B.A.H. |
| QUANTITIES | TRACED | QUAN. CK. | TRACED CK. |

Plotted By : \$\$USERNAME\$\$
 Plot File : \$\$\$DGN\$\$\$DGN\$SPEC\$\$\$DGN\$\$\$
 Plot Date : \$\$\$SYTIME\$\$\$