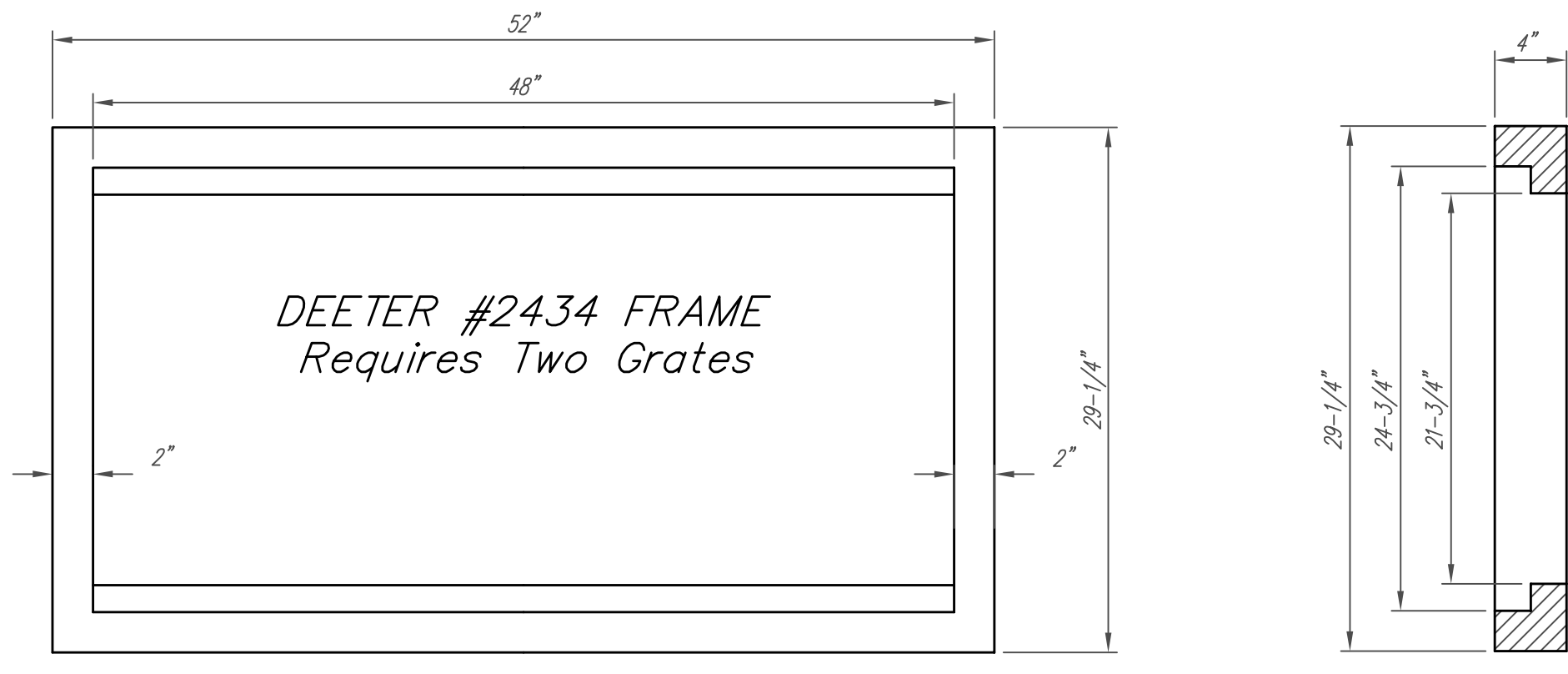
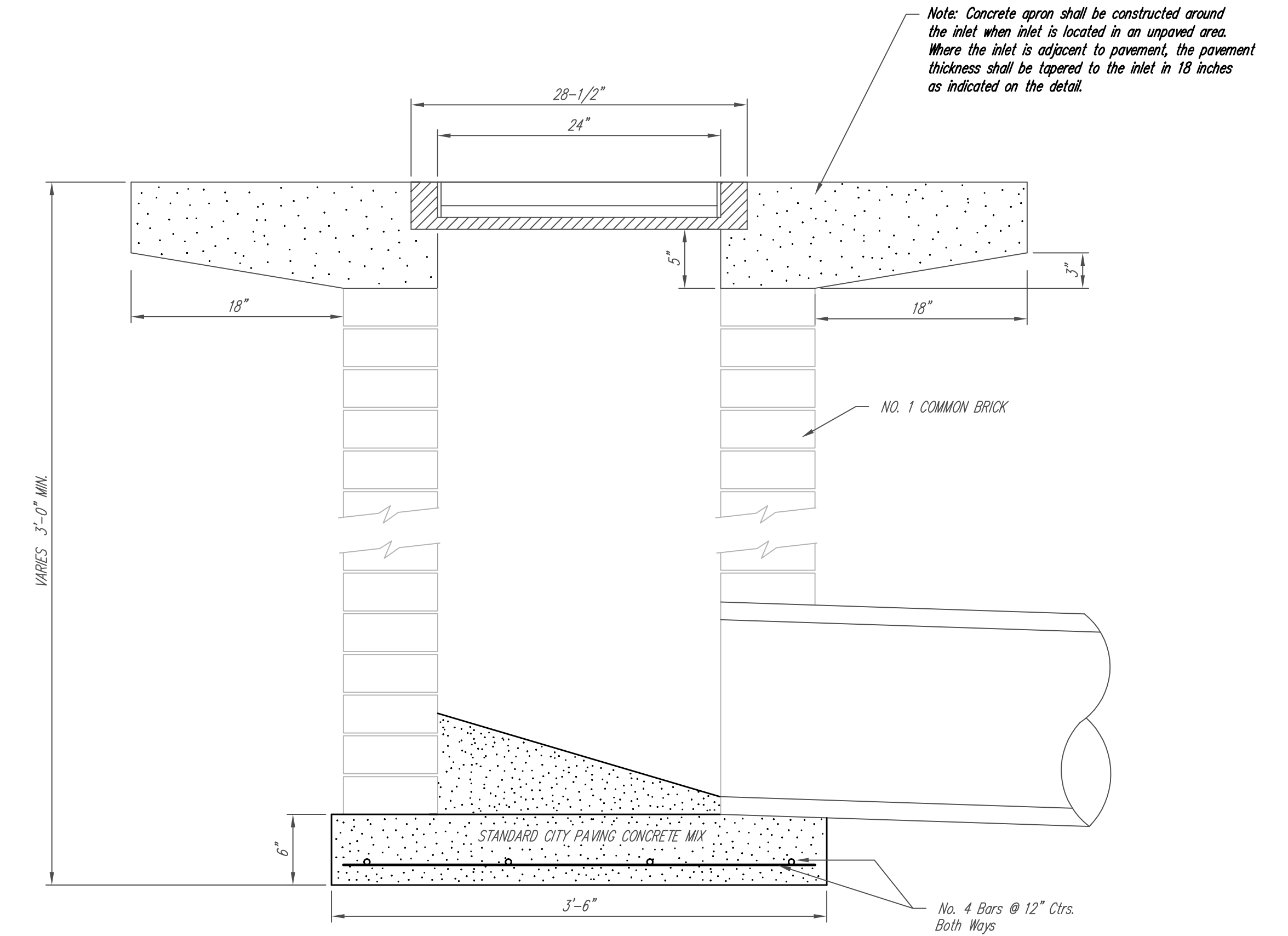
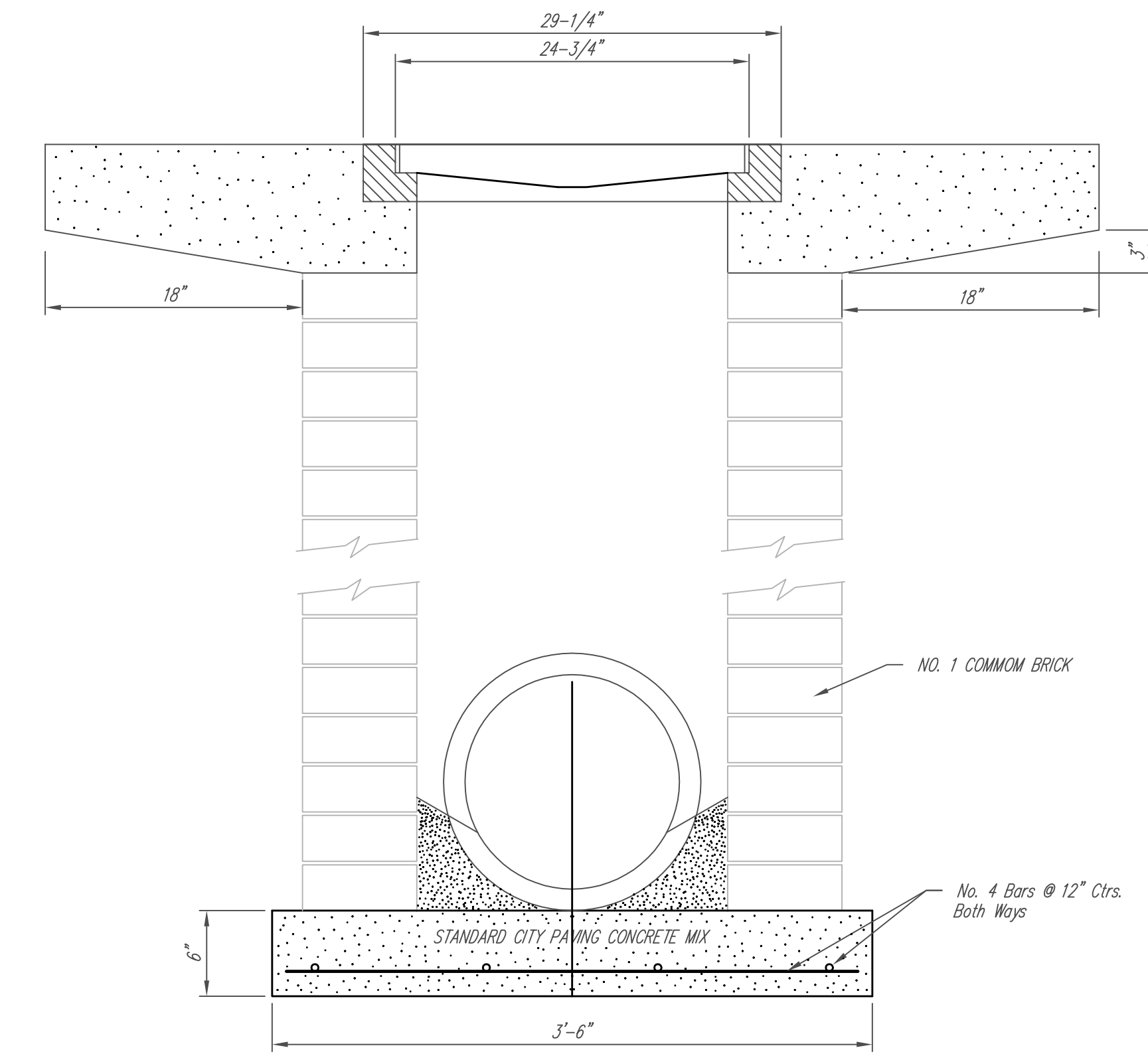


NOTE: Grates shall be imprinted on the top surface with "CITY OF WICHITA" using letters at least 1" in height. Other marking methods may be approved by the engineer.

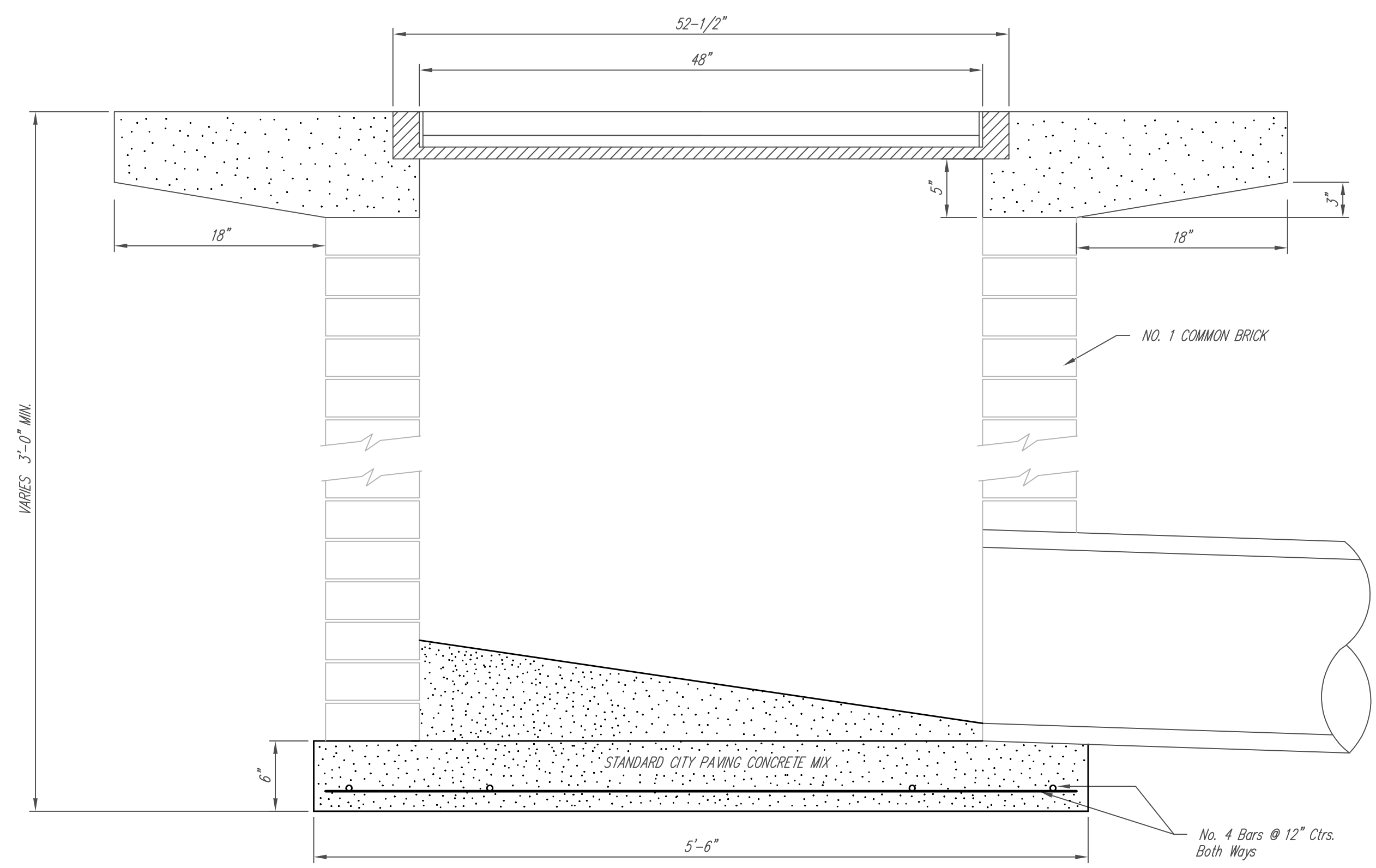
DEETER #2433 GRATE  
24" x 24" Frame and Grate Detail



Double 24" x 24" Frame Detail



Note: Concrete apron shall be constructed around the inlet when inlet is located in an un-paved area. Where the inlet is adjacent to pavement, the pavement thickness shall be tapered to the inlet in 18 inches as indicated on the detail.



|   |  |                              |
|---|--|------------------------------|
| <p>THE CITY OF WICHITA<br/>CITY ENGINEER'S OFFICE<br/>CITY HALL - SEVEN FLOOR<br/>100 N. MAIN ST.<br/>WICHITA, KANSAS 67202<br/>CITY 368-3174 FAX</p> | <p>DROP INLET<br/>2' X 2'/2' X 4'</p>  |                              |
|   | <p>JIM ARMOUR P.E. - CITY ENGINEER</p> |                              |
|   | <p>PROJECT NUMBER<br/>XXXX-XXXX</p>    | <p>INDEX CODE<br/>XXXXXX</p> |
|   | <p>DATE<br/>AUG 08</p>                 | <p>SHEET 5 OF 6</p>          |