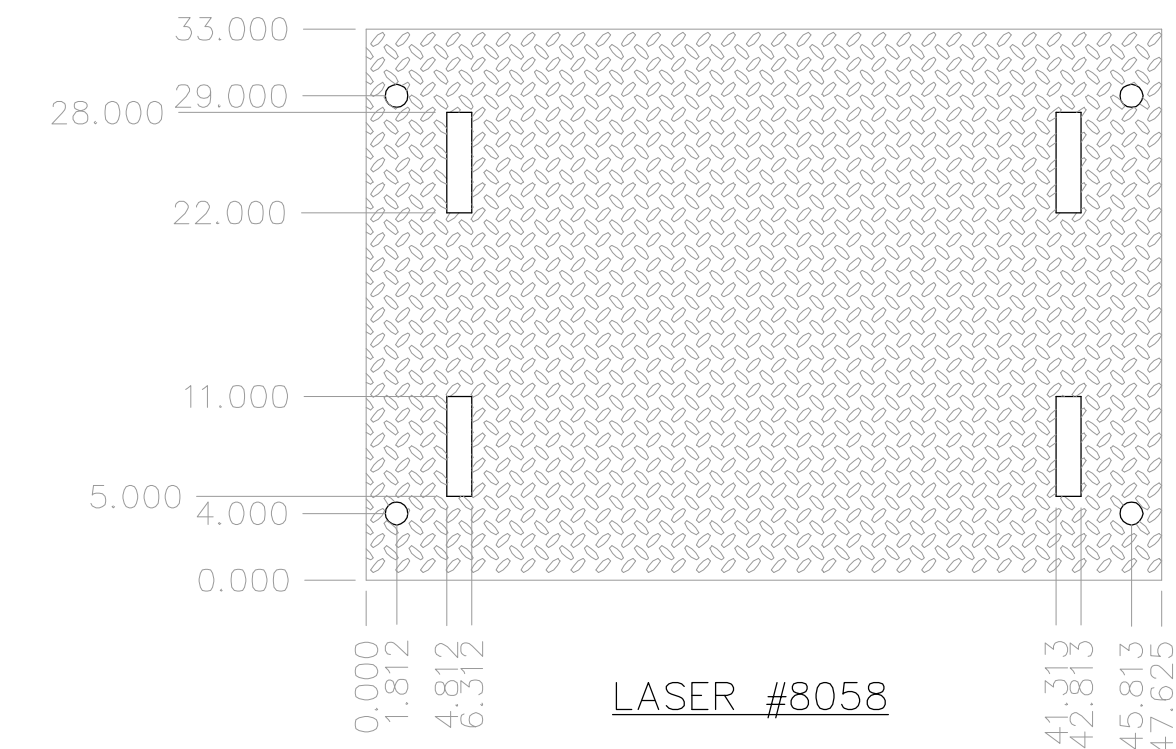
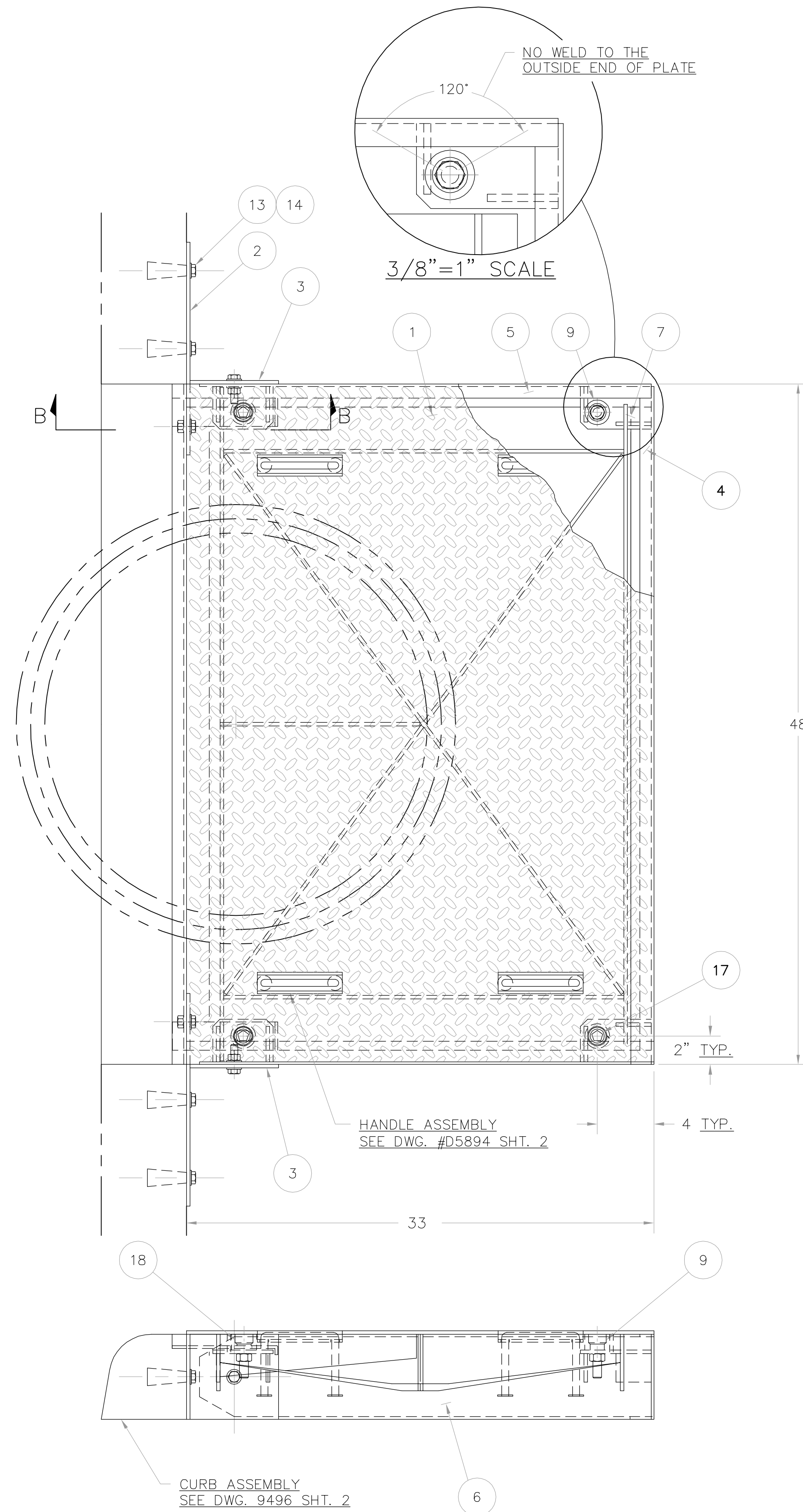
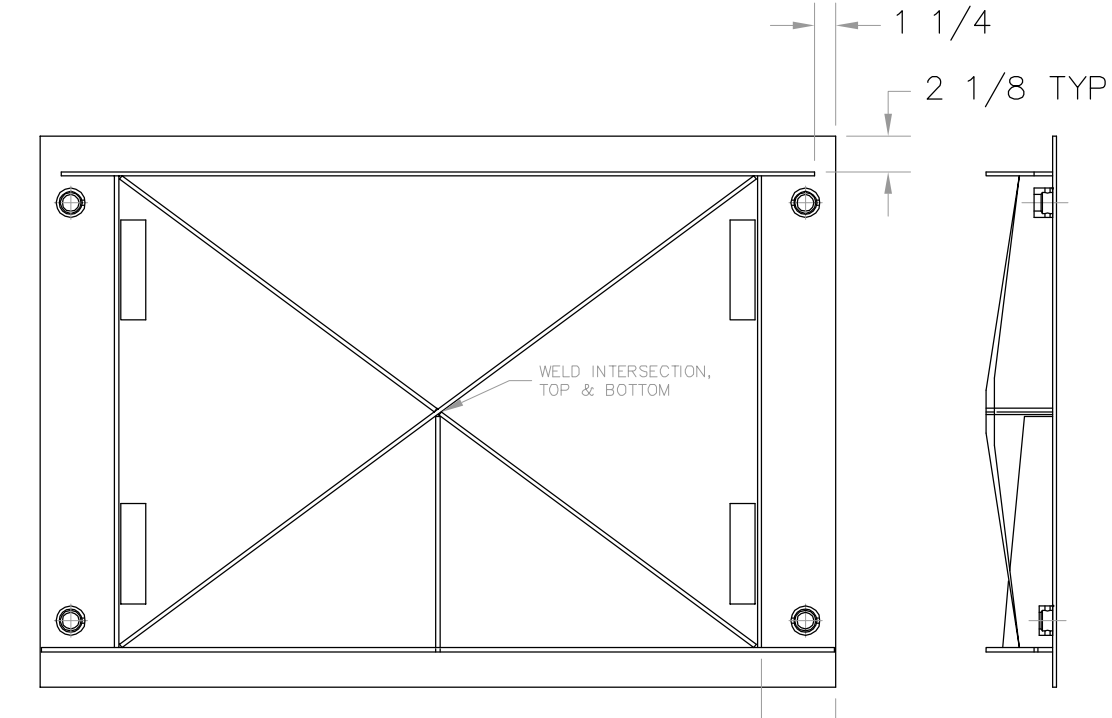


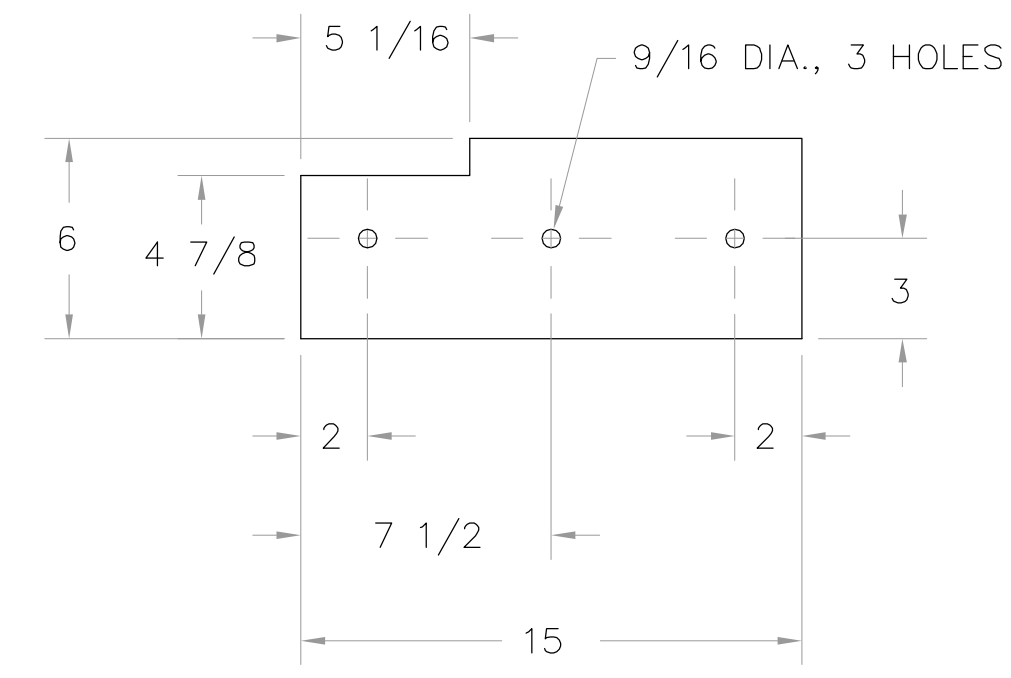
ITEM	REQ.	DESCRIPTION
1	1	1/4" H.R. FLOOR PLATE X 33" X 47 5/8" (LASER)
2	2	1/4" X 6" H.R. FLAT X 15"
3	2	1/4" X 6" H.R. FLAT X 6 1/4"
4	1	7 GA. H.R. SHT. X 7 15/16" X 47 5/8"
5	1	7 GA. H.R. SHT. X 7 15/16" X 31 7/8" (LASER 8057)
6	1	7 GA. H.R. SHT. X 7 15/16" X 31 7/8" (LASER 8057)
7	2	1/4" X 3" H.R. FLAT X 5"
8	2	1/4" X 3" H.R. FLAT X 4 1/4"
9	2	1 3/4" O.D. X 1" I.D. X 1 1/4" C.D.RD. TUBING
10	8	1/4" X 2" H.R. FLAT X 2 1/2"
13	18	1/2" FLAT WASHER
14	8	1/2" UNC X 1 3/4" H.H.C.S.
15	2	1/2" UNC HEX NYLOCK NUT
16	4	5/8" UNC HEX NUT
17	4	5/8" UNC SECURITY BOLT
18	2	SEE DWG. 9496 SHT. 2
19	2	SEE DWG. 9496 SHT. 2



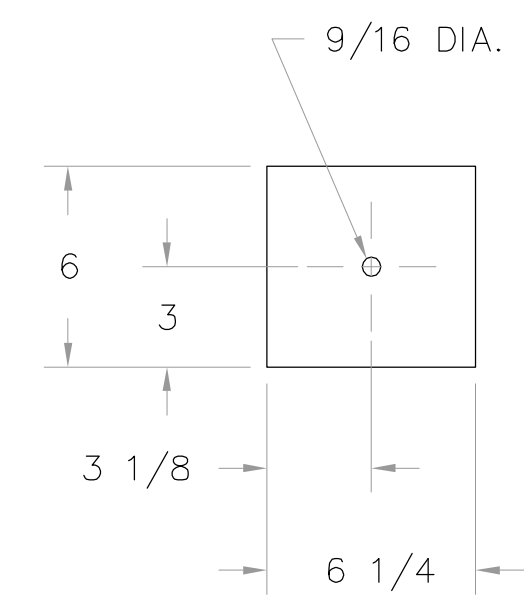
1 1 PC. REQ'D  
SCALE: 3/32"=1"



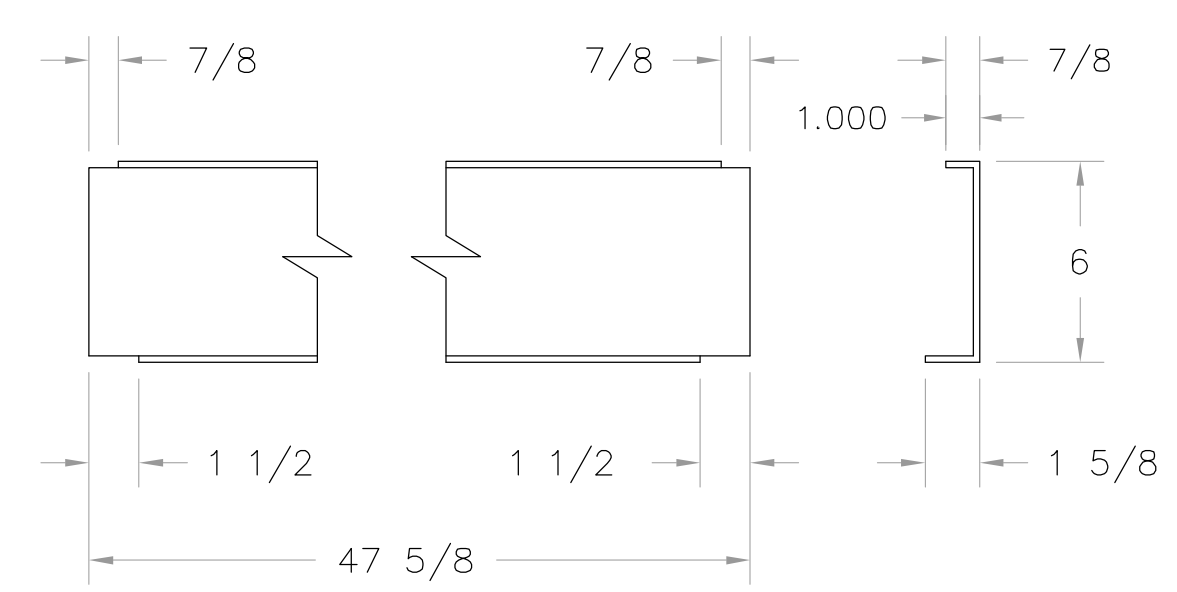
1 UNDERSIDE BRACE LAYOUT  
SCALE: 3/32"=1"



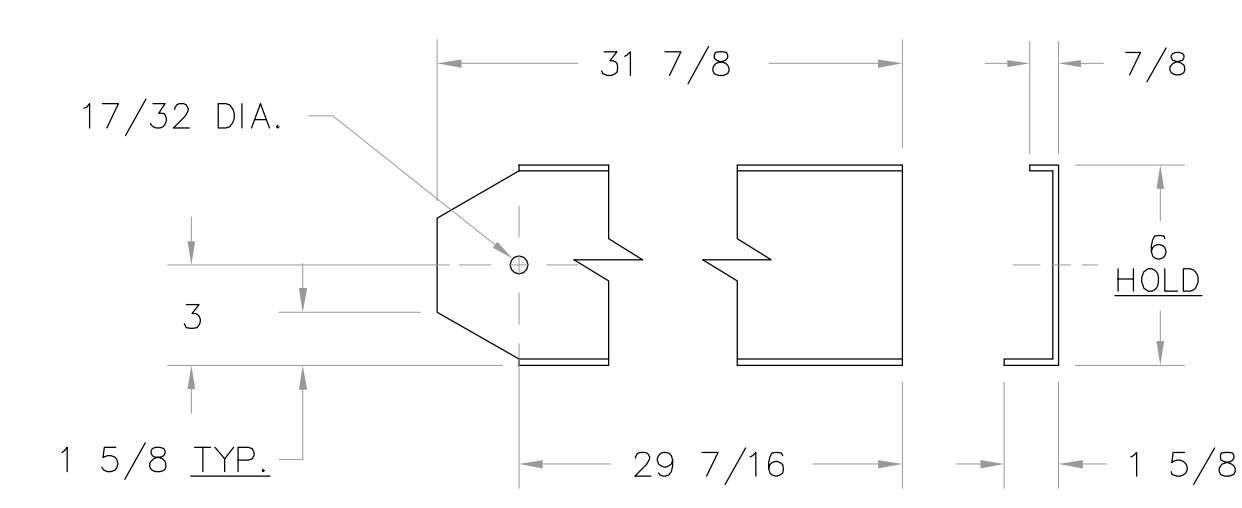
2 2 PCS. REQ'D



3 2 PCS. REQ'D

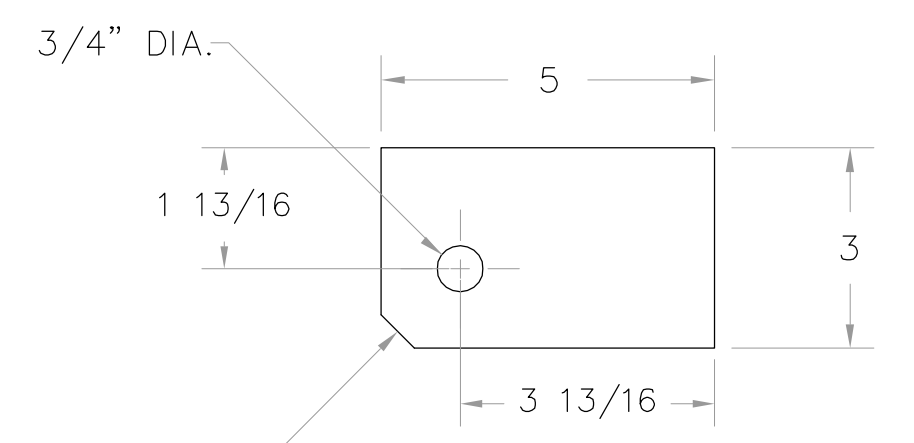


4 1 PC. REQ'D

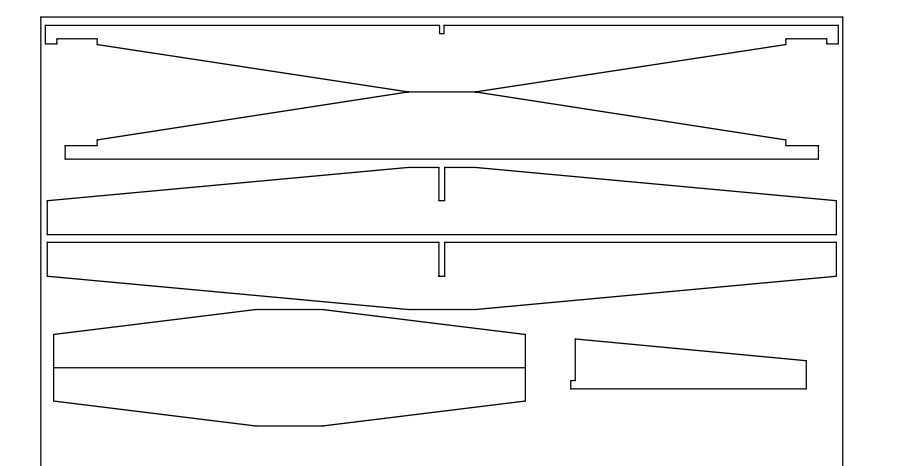


5 1 REQ'D AS SHOWN

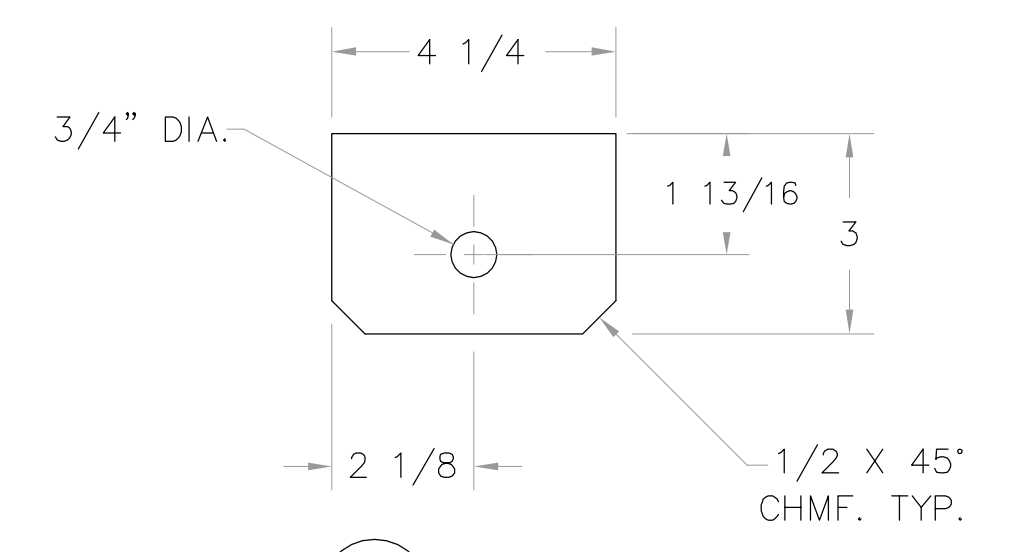
6 1 REQ'D OPPOSITE



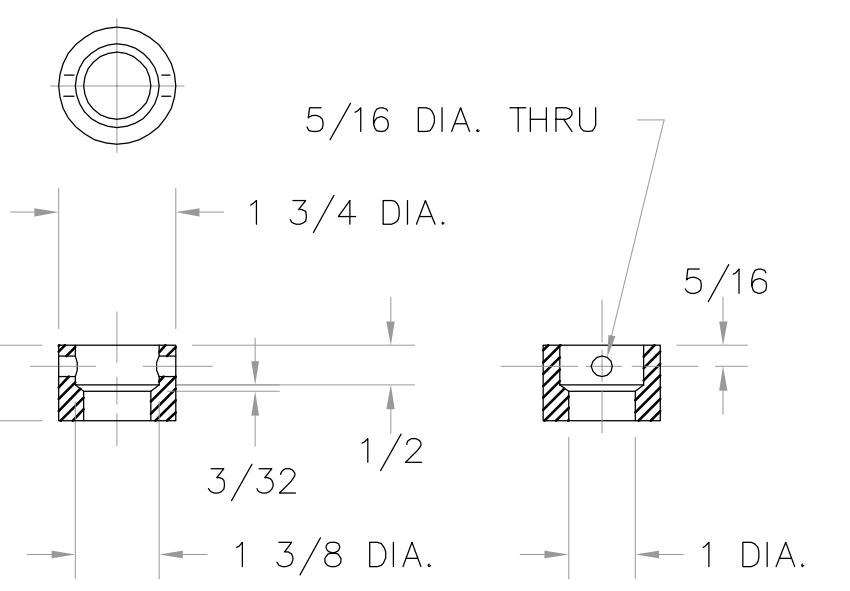
7 2 PCS. REQ'D  
SCALE: 3/8"=1"



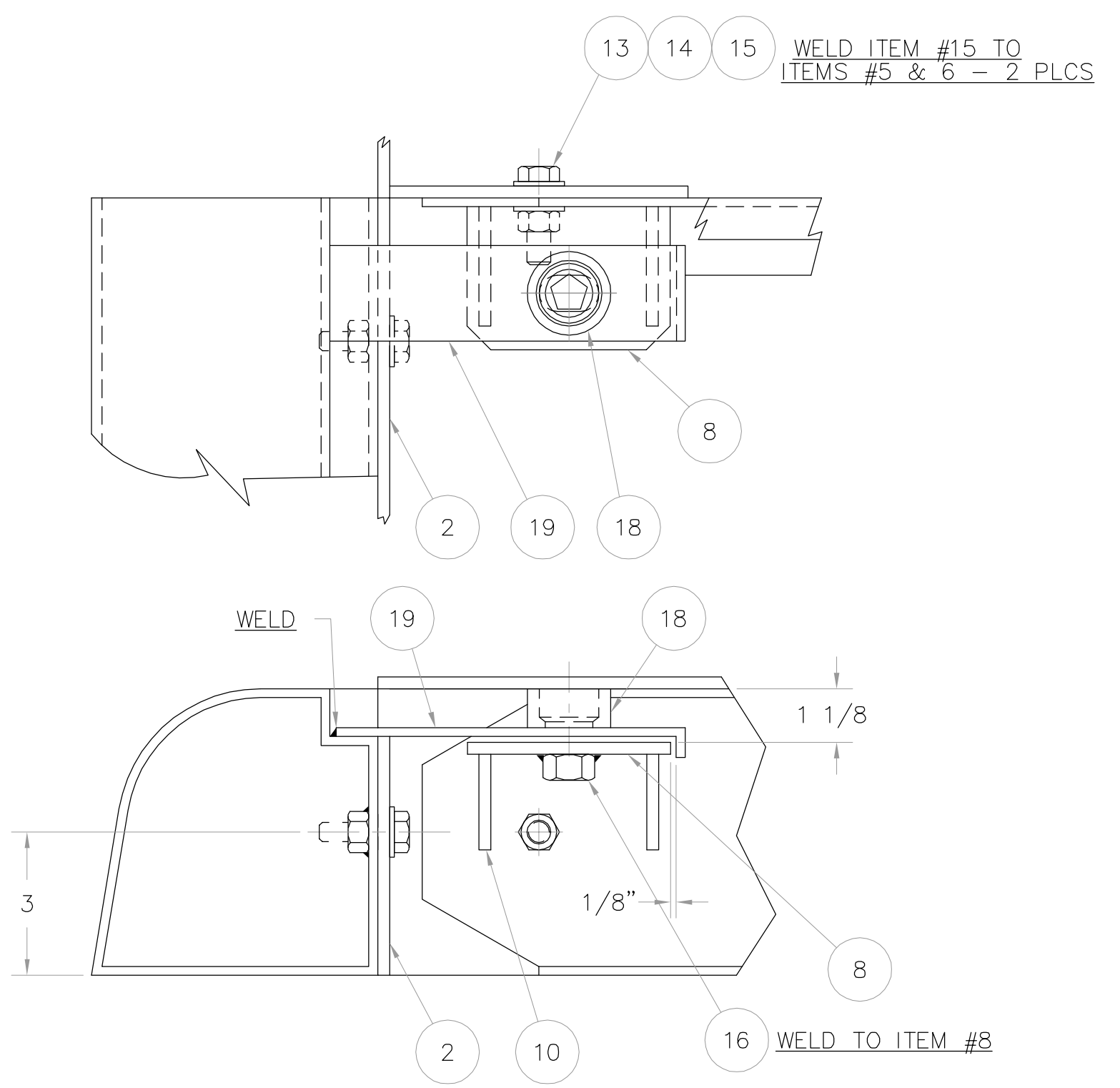
LASER #486, 1/4" X 27" X 48"



8 2 PCS. REQ'D  
SCALE: 3/8"=1"



9 2 PCS. REQ'D  
SCALE: 3/8"=1"



SECTION VIEW "B-B"  
3/8"=1" SCALE

NO.	REVISION	DATE	BY
6			
5			
4			
3			
2	CHANGED LASER 486, DETAIL DIMS	6/13/01	RLF
1	CHANGED WIDTH OF ITEMS 4,5,6	6/8/01	RLF

**HC** HARTFORD CONCRETE PRODUCTS, INC.  
HARTFORD CITY, INDIANA

**CP** CURB ENTRANCE WITH TABS  
HS-20 LOADING DESIGN

THIS PRINT CONTAINS INFORMATION WHICH IS THE PROPERTY OF HARTFORD CONCRETE PRODUCTS, INC. AND IS FURNISHED ONLY FOR INSTRUCTION. IT IS NOT TO BE USED FOR MANUFACTURING OR PROCUREMENT PURPOSES FROM OTHER THAN THE PROPRIETOR.

SCALE: 3/16"=1" DRAWN BY: RLF DRAWING NO.: 07  
DATE: 1/11/00 CHK'D.: 9496 101