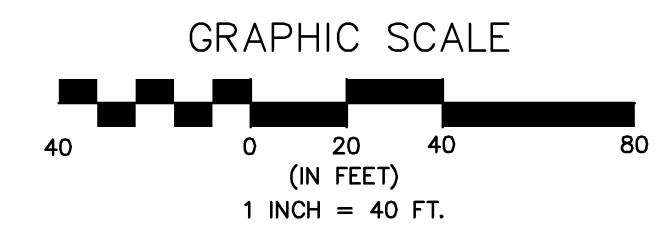
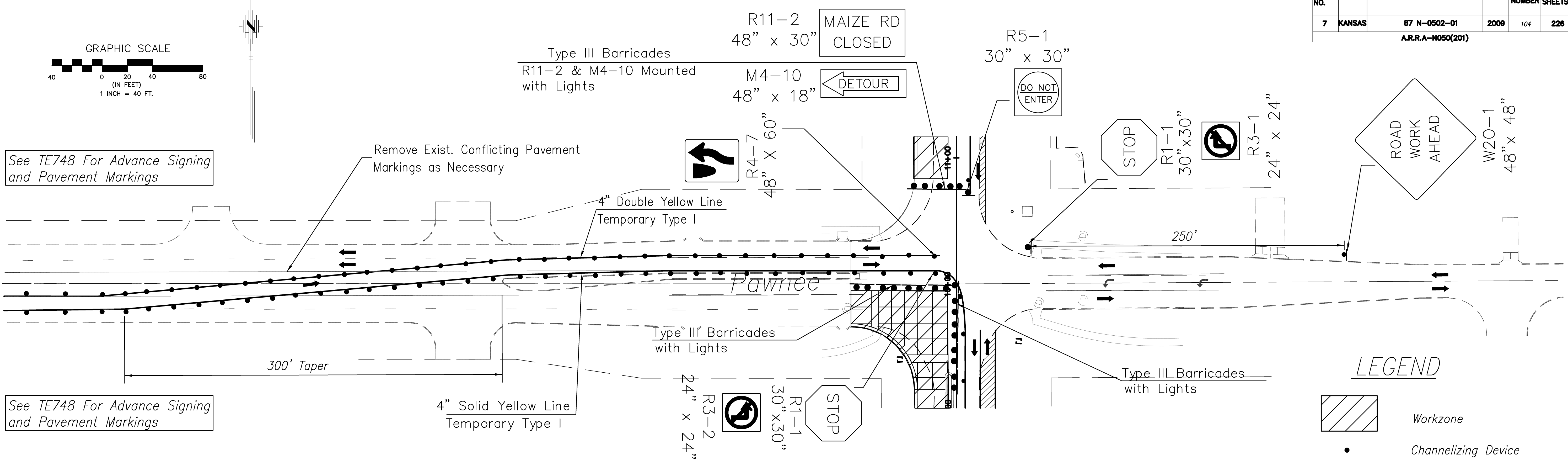


FHWA REF. NO.	STATE	PROJECT NO.:	YEAR	SHEET NUMBER	TOTAL SHEETS
7	KANSAS	87 N-0502-01	2008	104	228
A.R.R.A-N050(201)					



See TE748 For Advance Signing and Pavement Markings

See TE748 For Advance Signing and Pavement Markings



PHASE II - PAWNEE INTERSECTION - SW QUADRANT

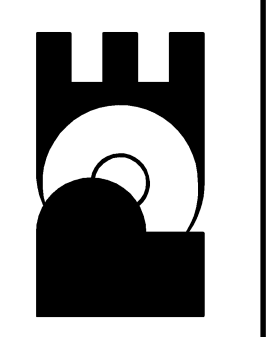
LEGEND

- Workzone
- Channelizing Device

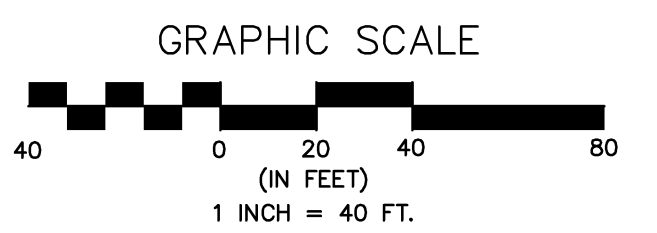
No.	Date	By	Approved	Revision

MAIZE ROAD  
WEST KELLOGG AVE. TO PAWNEE AVE.  
CITY OF WICHITA, KANSAS  
PHASE II - TRAFFIC CONTROL

POE & ASSOCIATES, INC.  
CONSULTING ENGINEERS  
5940 E. Central, Suite 200 • Wichita, KS 67208-4242  
Phone 316/685-4114 • FAX 316/685-4444

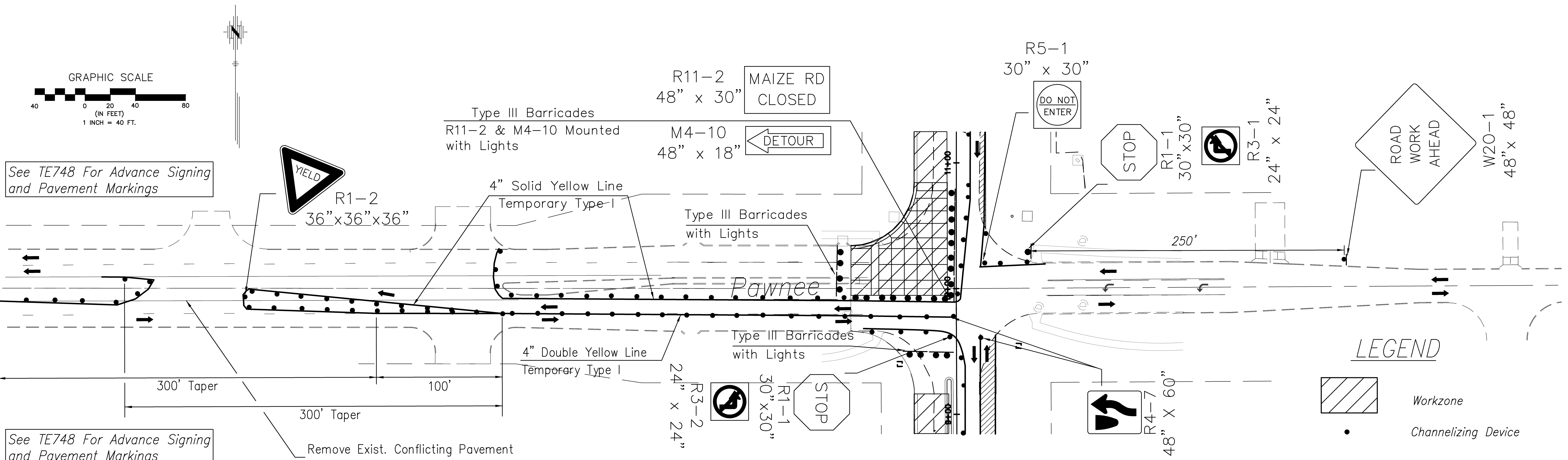


Engineer: M. THOMPSON  
Designer: P. FERGUSON  
KDOT Job No.: 87 N-0502-01  
Date: SEPT 2008



See TE748 For Advance Signing and Pavement Markings

See TE748 For Advance Signing and Pavement Markings



PHASE II - PAWNEE INTERSECTION - NW QUADRANT

LEGEND

- Workzone
- Channelizing Device