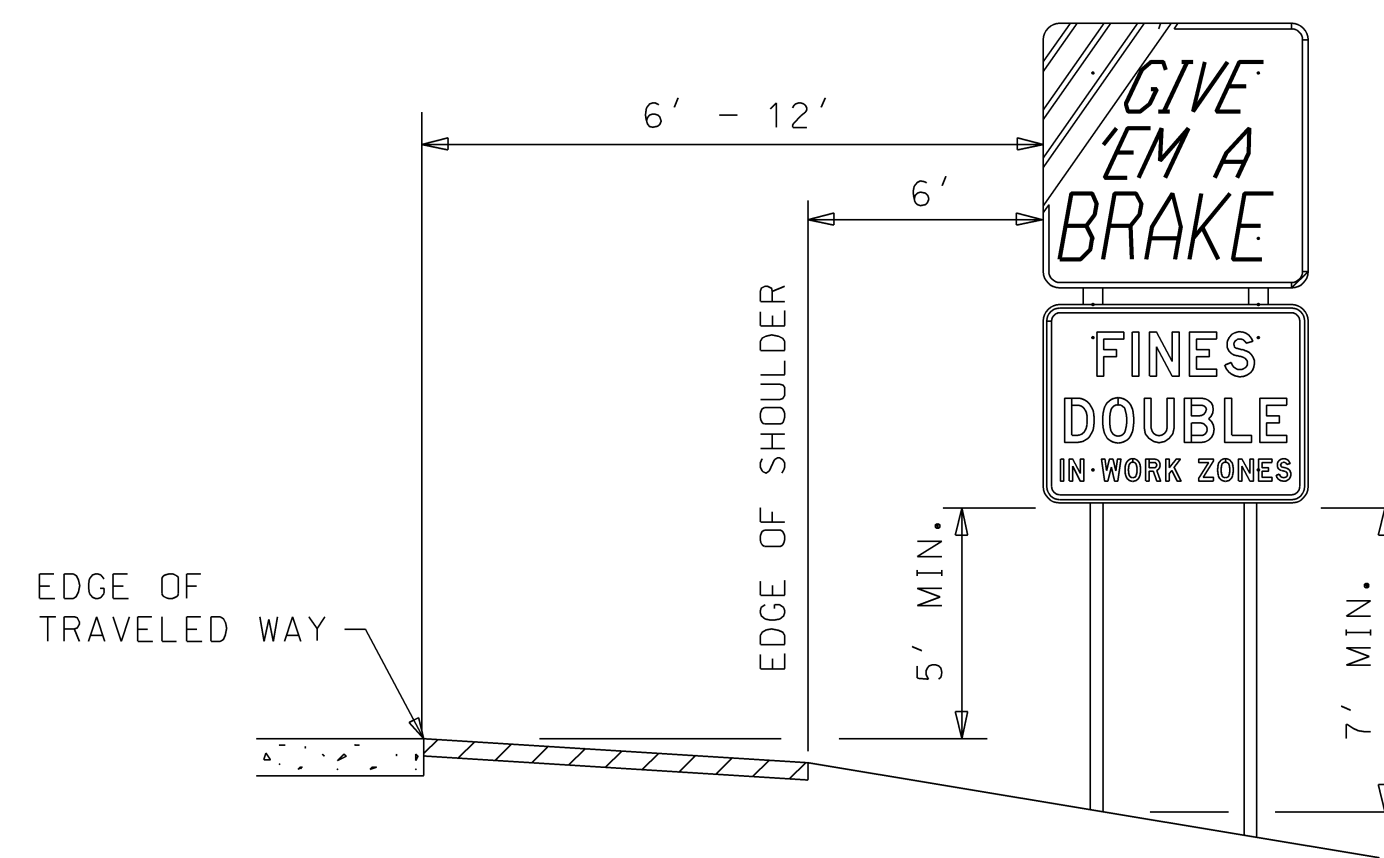


KI-104a

COLORS:
 BACKGROUND - BLACK
 BORDER - WHITE
 LEGEND - WHITE
 STRIPES - ORANGE

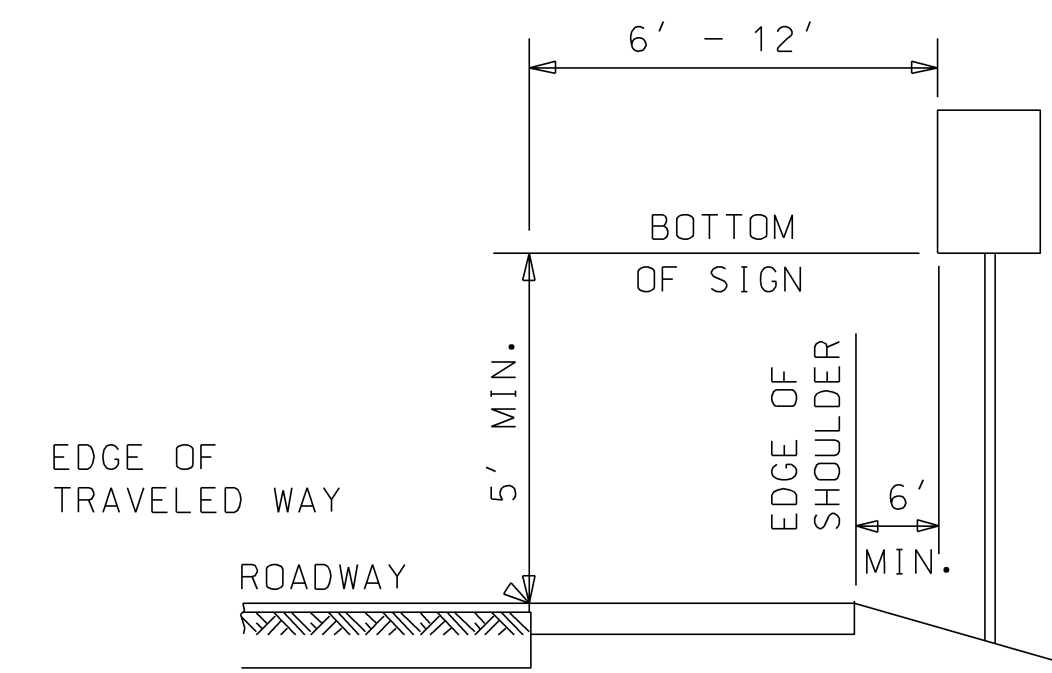
BORDER WIDTH - 1"
 STRIPE WIDTH - 4"
 CORNER RADIUS - 3"

LEGEND:
 " GIVE " - DUTCH 801 ROMAN SWC - 25 DEGREE SLANT
 " 'EM A " - DUTCH 801 ROMAN SWC - 25 DEGREE SLANT
 " BRAKE " - DUTCH 801 ROMAN SWC - 10 DEGREE SLANT



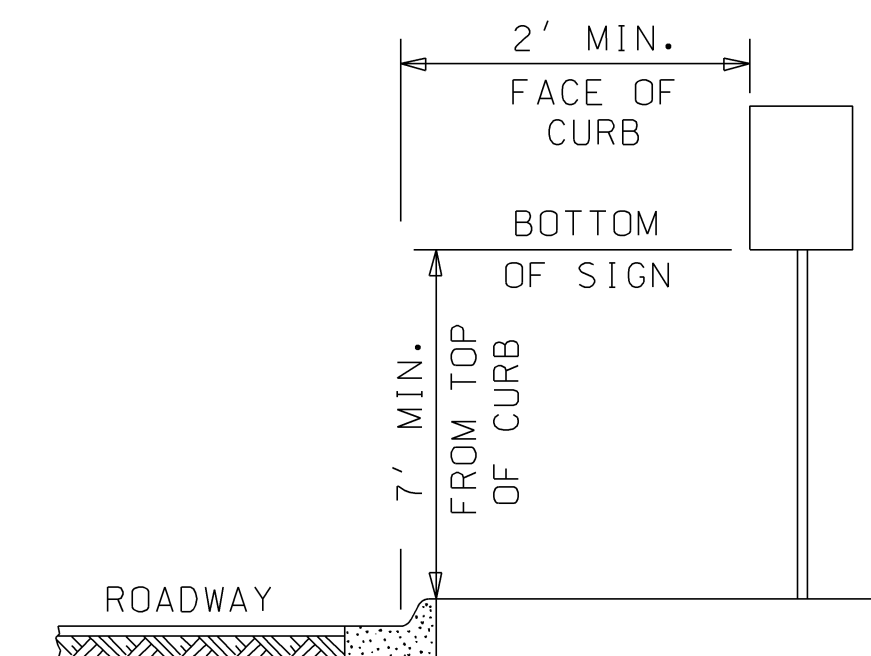
HEIGHT AND LATERAL PLACEMENT

HEIGHT AND LATERAL DIMENSIONS FOR GROUND MOUNTED SIGNS
 (SIGNS LEFT IN PLACE OVER 3 DAYS)



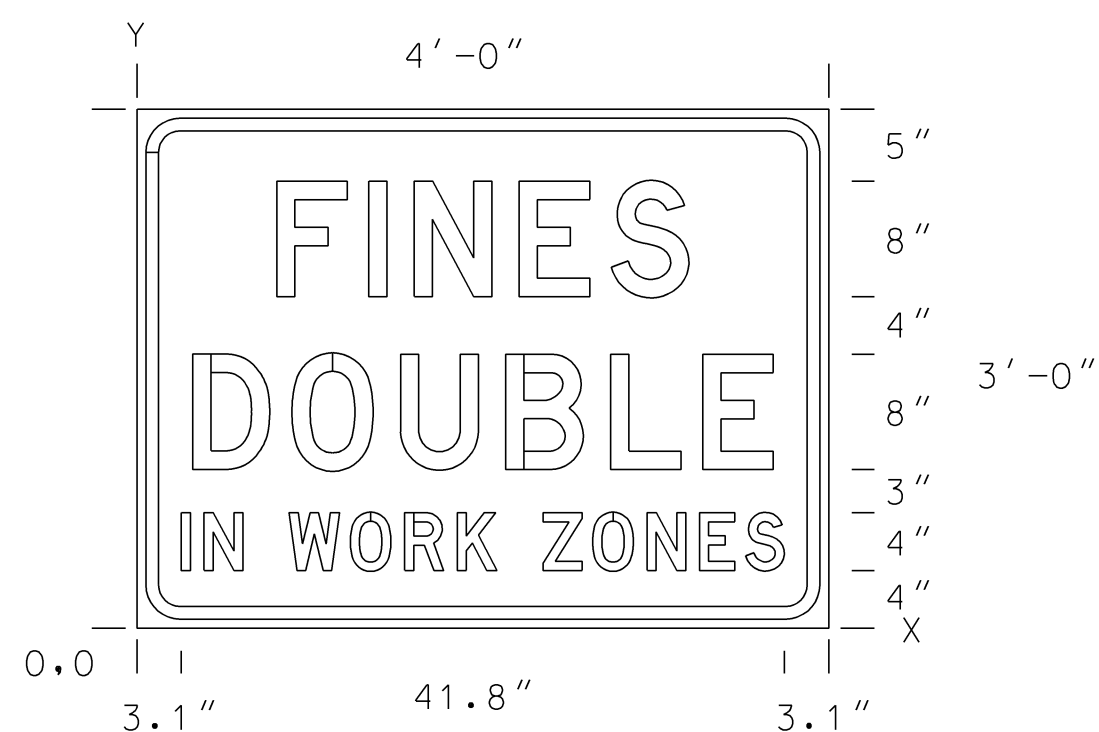
RURAL DISTRICT

- RURAL:
- GROUND-MOUNTED SIGNS SHALL BE MOUNTED AT A MINIMUM HEIGHT OF 5' MEASURED FROM THE BOTTOM OF SIGN TO THE NEAR EDGE OF THE PAVEMENT.
 - LARGE SIGNS HAVING AN AREA EXCEEDING 50 SQUARE FEET INSTALLED ON MULTIPLE BREAKAWAY POSTS SHALL BE MOUNTED A MINIMUM OF 7' ABOVE THE GROUND.
 - THE HEIGHT FROM THE BOTTOM OF THE SECONDARY SIGN MOUNTED BELOW ANOTHER SIGN MAY BE 4' MEASURED FROM THE BOTTOM OF THE SIGN TO THE NEAR EDGE OF THE PAVEMENT. SIGNS SHALL NOT OVERLAP EACH OTHER.
 - SIGN SUPPORTS SHALL BE CRASHWORTHY.



URBAN DISTRICT

- URBAN:
- SIGNS SHALL BE MOUNTED AT A MINIMUM HEIGHT OF 7' MEASURED FROM THE BOTTOM OF SIGN TO THE NEAR EDGE OF THE PAVEMENT.
 - NEITHER PORTABLE NOR PERMANENT SIGN SUPPORTS SHOULD BE LOCATED ON SIDEWALKS OR AREAS DESIGNATED FOR PEDESTRIAN OR BICYCLE TRAFFIC.
 - SIGNS MOUNTED LOWER THAN 7' SHOULD NOT PROJECT MORE THAN 4" INTO PEDESTRIAN FACILITIES.
 - THE HEIGHT FROM BOTTOM OF THE SECONDARY SIGN MOUNTED BELOW ANOTHER SIGN MAY BE 6' MEASURED FROM THE BOTTOM OF SIGN TO THE NEAR EDGE OF THE PAVEMENT. SIGNS SHALL NOT OVERLAP EACH OTHER.
 - LARGE SIGNS HAVING AN AREA EXCEEDING 50 SQUARE FEET INSTALLED ON MULTIPLE BREAKAWAY POSTS SHALL BE MOUNTED A MINIMUM OF 7' ABOVE THE GROUND.
 - SIGN SUPPORTS SHALL BE CRASHWORTHY.



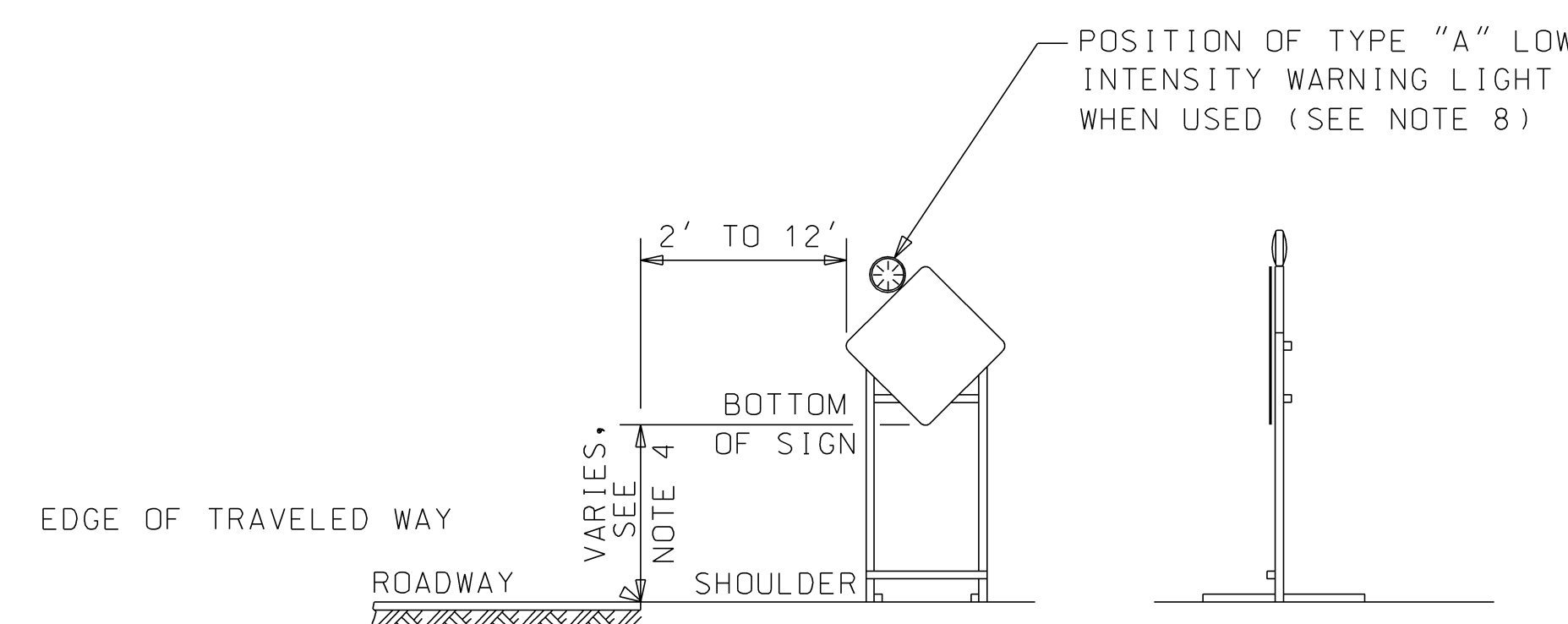
KI-105a

| | |
|----------------|----------------------|
| SIGN NUMBER | FINES DOUBLE |
| WIDTH x HEIGHT | 4'-0" x 3'-0" |
| BORDER WIDTH | 0.9" |
| CORNER RADIUS | 3.0" |
| MOUNTING | GROUND |
| BACKGROUND | TYPE: REFLECTIVE |
| | COLOR: WHITE |
| LEGEND/BORDER | TYPE: NON-REFLECTIVE |
| | COLOR: BLACK |

DIMENSIONS IN INCHES

SPACINGS ARE TO START OF NEXT LETTER

| FONT | LETTER SPACINGS | | | | | | | | | | | | | HT LEN | | |
|------|-----------------|-----|-----|-----|-----|-----|-----|-----|-----|-----|-----|-----|-----|--------|------|------|
| 23.0 | FINE S | | | | | | | | | | | | | 8.0 | | |
| D | 9.7 | 6.4 | 3.2 | 7.3 | 6.4 | 5.4 | 9.7 | | | | | | | | 28.6 | |
| 11.0 | DOUBLE | | | | | | | | | | | | | 8.0 | | |
| D | 3.9 | 6.9 | 7.5 | 7.3 | 7.3 | 6.4 | 4.9 | 3.9 | | | | | | | 40.3 | |
| 4.0 | IN WORK ZONES | | | | | | | | | | | | | 4.0 | | |
| D | 3.1 | 1.6 | 2.7 | 3.2 | 4.3 | 3.8 | 3.6 | 2.8 | 3.2 | 3.4 | 3.8 | 3.6 | 3.2 | 2.7 | 3.1 | 41.8 |



| | | | | |
|-----|----------|--|------|--------|
| 3 | 4-20-09 | ADDED DETAIL FOR SKID MOUNTED SIGNS | J.M. | A.A.A. |
| 2 | 8-8-07 | KI104 & KI105 CHANGE, ADDED GROUND MOUNT | M.B. | A.A.A. |
| 1 | 12-29-05 | ADD K TO I104 & I105 | M.B. | A.A.A. |
| NO. | DATE | REVISIONS | BY | APP'D |

KANSAS DEPARTMENT OF TRANSPORTATION
 GROUND AND SKID MOUNTED DETAIL
 DETAILS FOR "GIVE 'EM A BRAKE"
 AND "FINES DOUBLE" SIGNS
 TE714 9/1/00

| | | | |
|---------------|------------|------------|----------------------|
| FHWA APPROVAL | 8-8-07 | APP'D | Anthony A. Alrobalre |
| DESIGNED | B.A.H. | DETAILED | B.A.H. |
| DESIGN CK. | DETAIL CK. | QUANTITIES | QUAN. CK. |
| | | TRACED | TRACE CK. |

Plotted By : \$\$USERNAME\$\$
 Plot File : \$\$\$DCMSPEC\$\$\$
 Plot Date : \$\$\$SYTIME\$\$\$