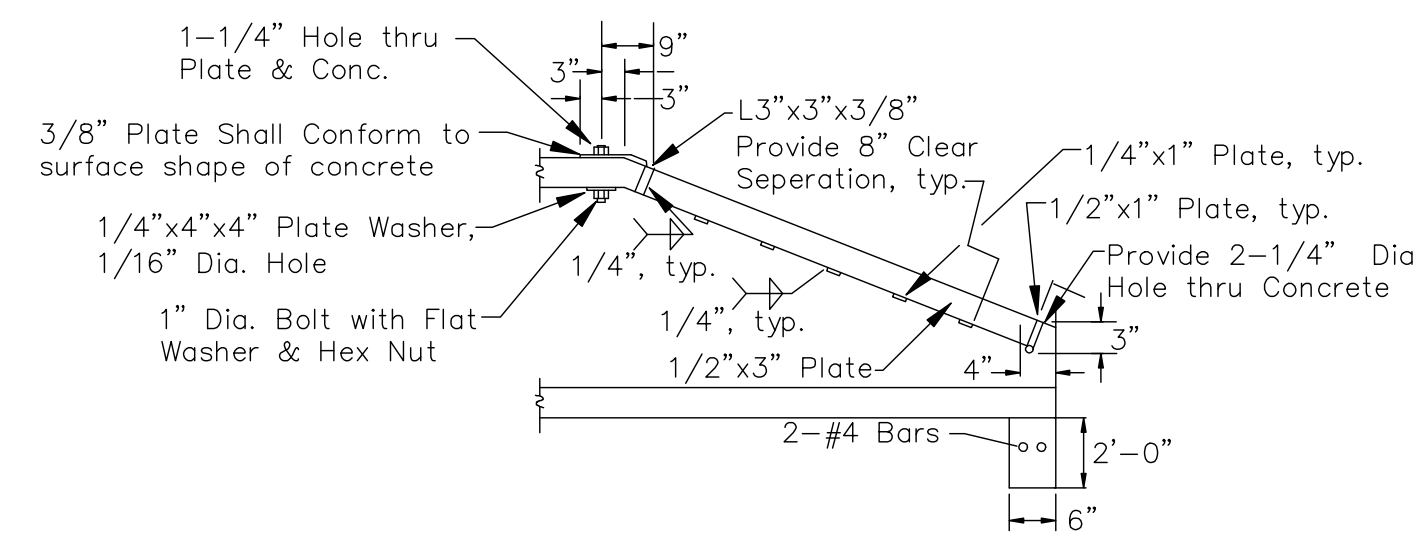


Structural steel shapes, plates, pipe, nuts, and washers shall be in accordance with KDOT standard specifications.

All fabrication shall be completed and assembled before galvanizing.

The cored holes in the precast concrete end section shall be to the diameters noted. If cone-out on the other end of the hole occurs, the hole shall be filled with grout to correct diameter of the hole.

Grates shall be constructed to provide 8" vertical x 3" horizontal clear separation between bars.



SECTION A-A

**15" FLARED END SECTION
STEEL GRATING DETAILS**

COMOTARA 2ND ADDITION
City of Wichita
Sedgwick County, Kansas

scale: as noted
drawn by: dsb
drawn by: cry
date: 1/4/10
P/N: 09-272
revisions:
