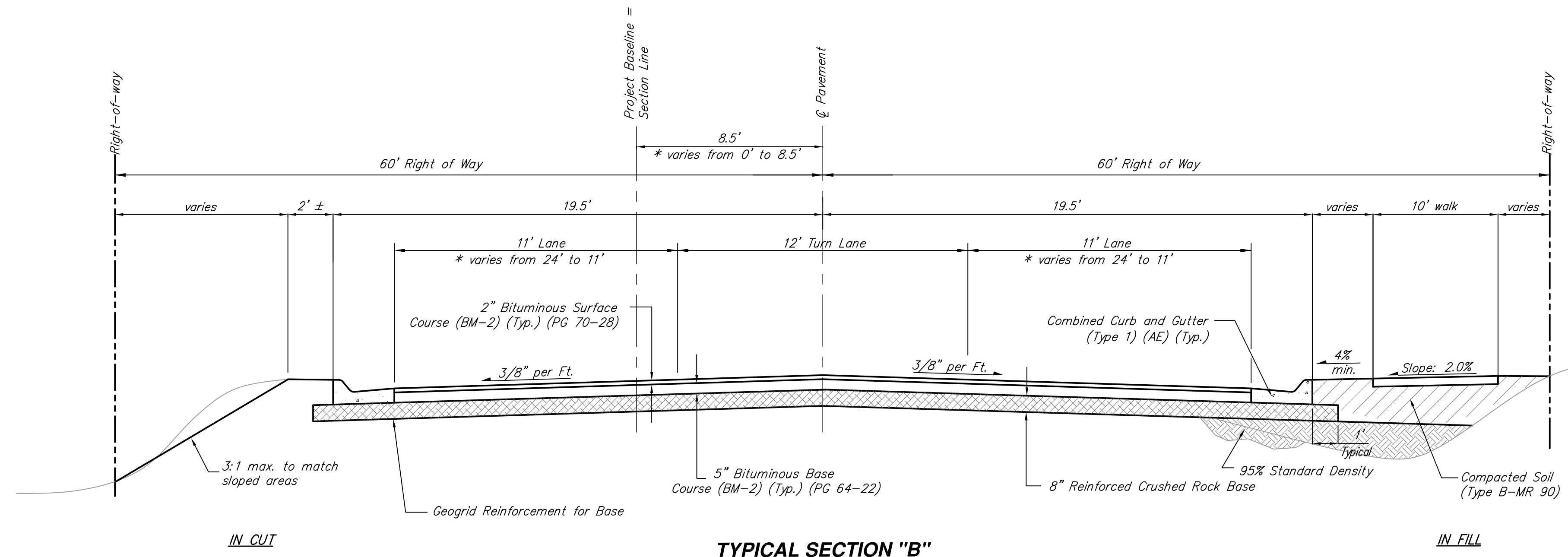
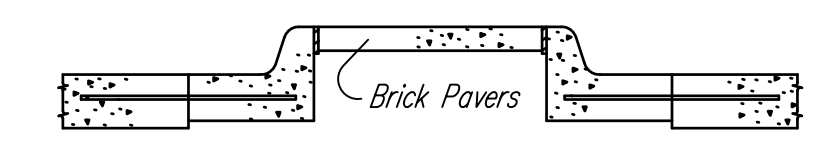


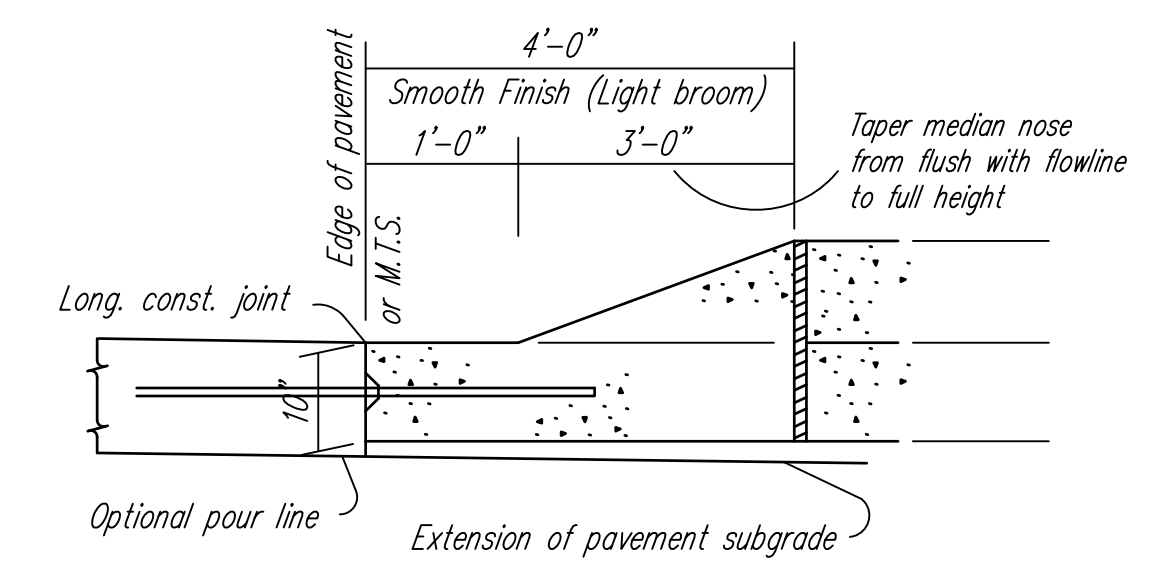
TYPICAL SECTION "A"
 27+56 to 29+55.66
 34+81 to 37+69
 42+86 to 45+44
 50+31 to 52+34
 57+56 to 60+09



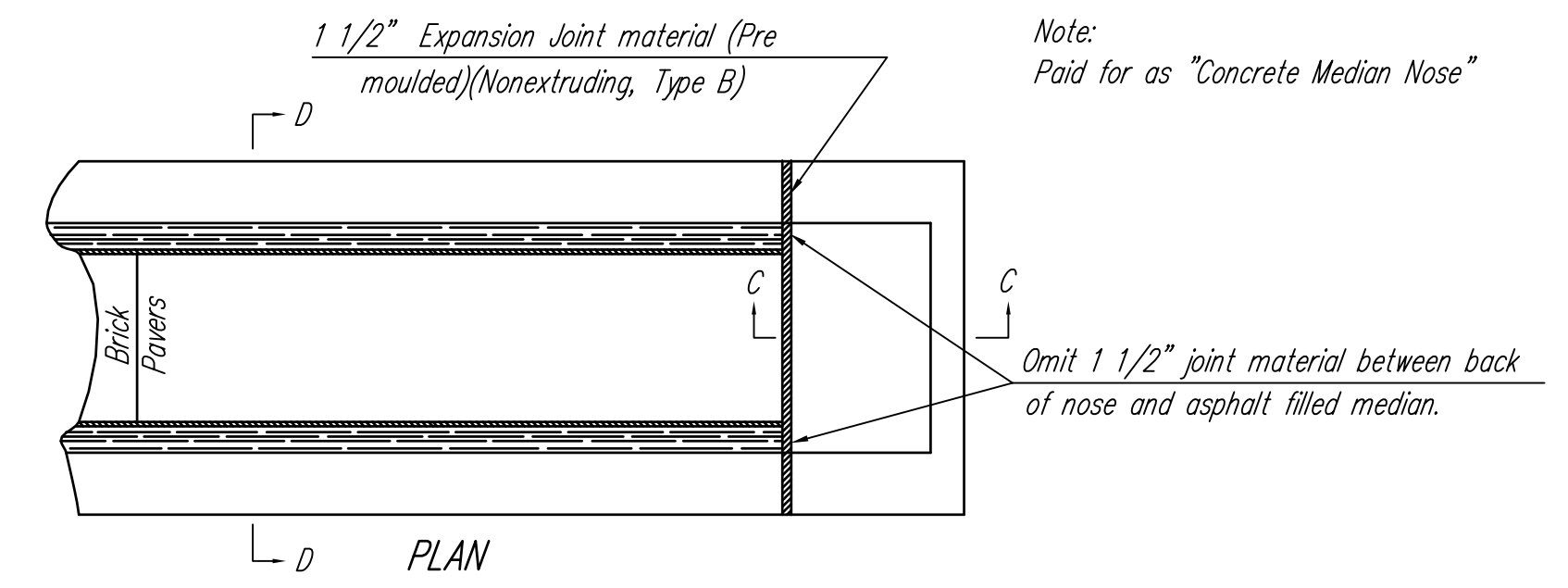
TYPICAL SECTION "B"
 * 17+32 to 27+56
 32+97.33 to 34+81
 37+69 to 38+33.94
 41+91.61 to 42+86
 45+44 to 50+31
 52+34 to 57+56
 60+09 to 62+37.75



SECTION D-D



DRIVABLE MEDIAN NOSE - TYPE III
 SECTION C-C



Note: Expansion joints shall be placed in concrete median as follows. In long runs expansion joints shall be 1/2" expansion joint material (Nonextruding, Type B) flush with the surface. Expansion joints in the median shall match expansion joints in the curb and gutter with a maximum spacing of 100 feet. Plane of weakness in median shall match plane of weakness in curb & gutter.

TYPICAL NOSE DETAILS FOR RAISED MEDIANS

HARRY PAVING IMPROVEMENTS TYPICAL SECTIONS WICHITA, KANSAS			
	Ruggles & Bohm, P.A. Engineering, Surveying, Land Planning		DESIGN KWL
	924 North Main Wichita, Kansas 67203 www.rbkansas.com		(316) 264-8008 (316) 264-4621 fax E-mail: info@rbkansas.com
DRAWING FILE typ section	PROJECT NUMBER 87 N-0514-01	DATE ..	SHEET 3 OF 148