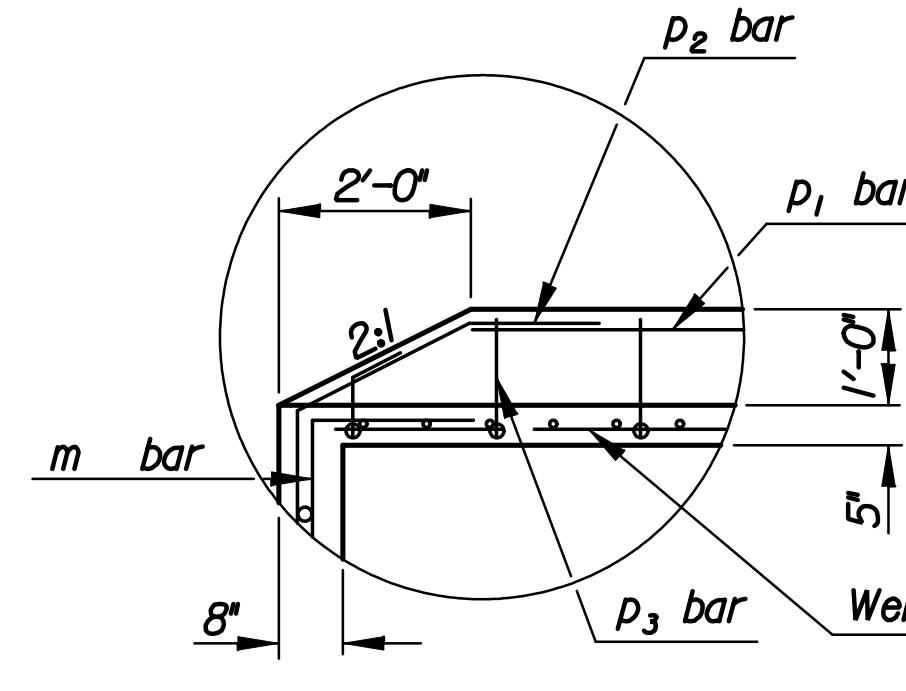
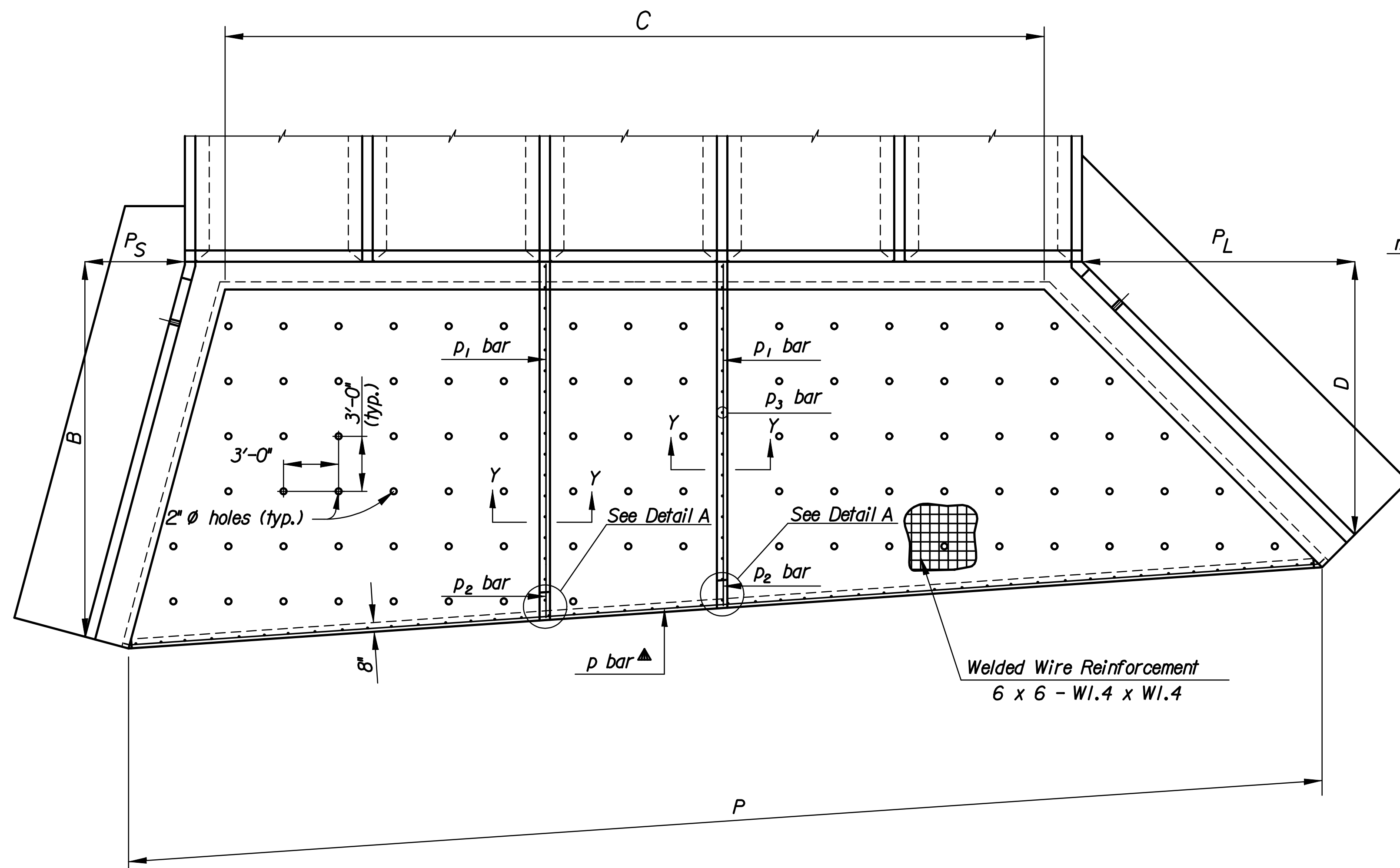


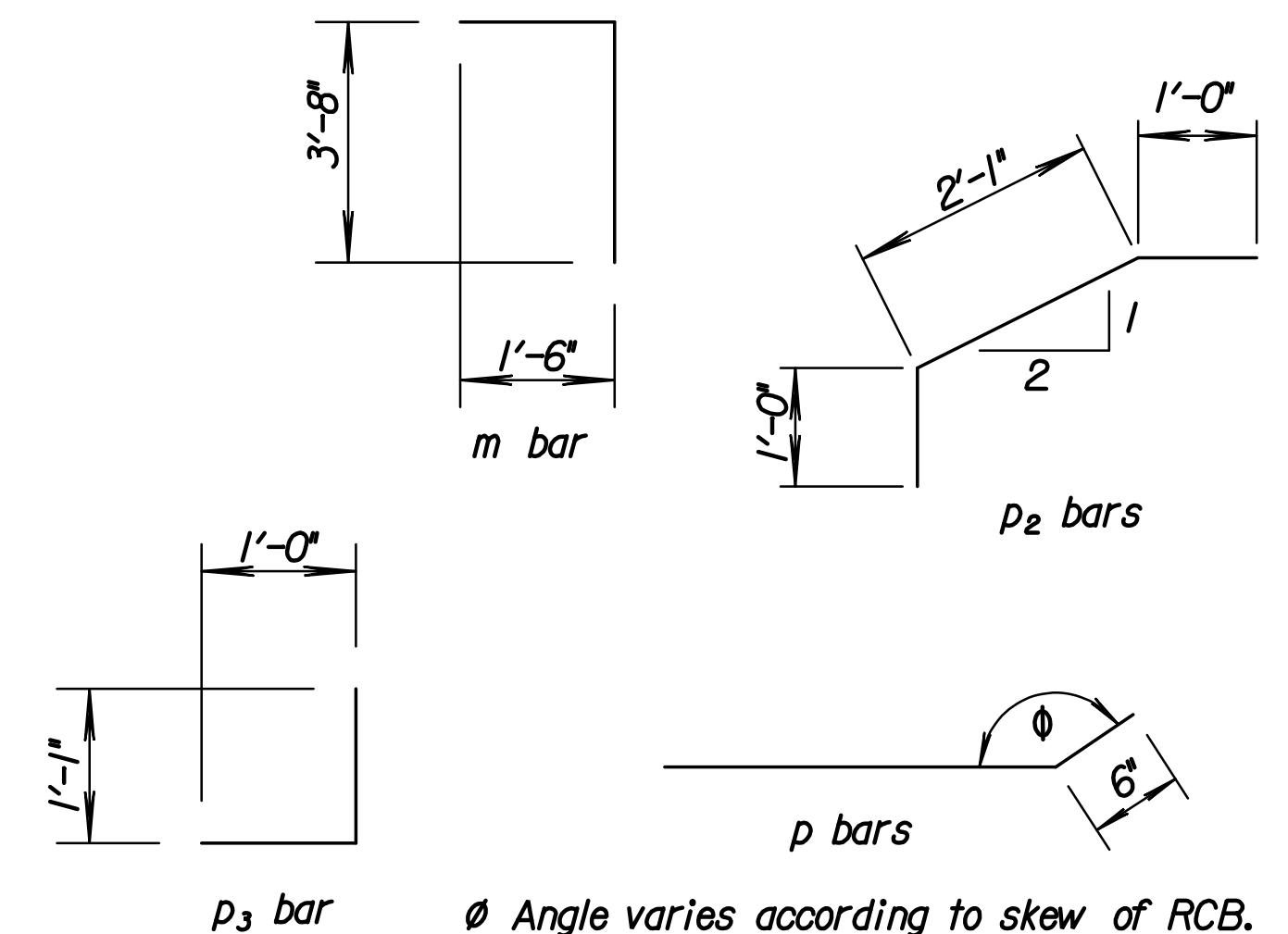
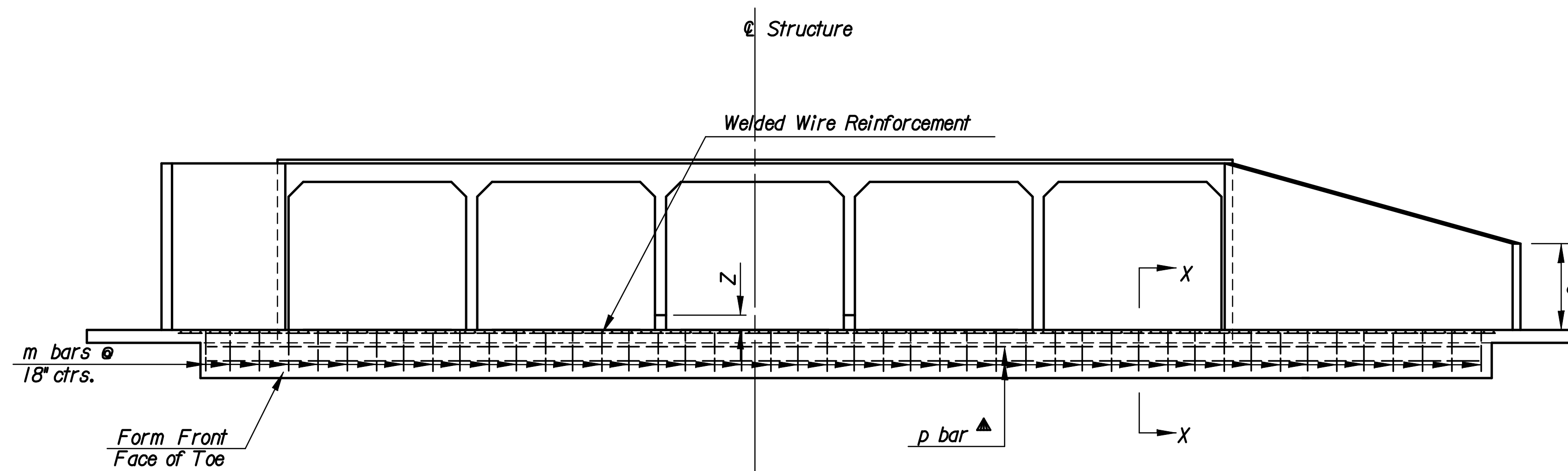
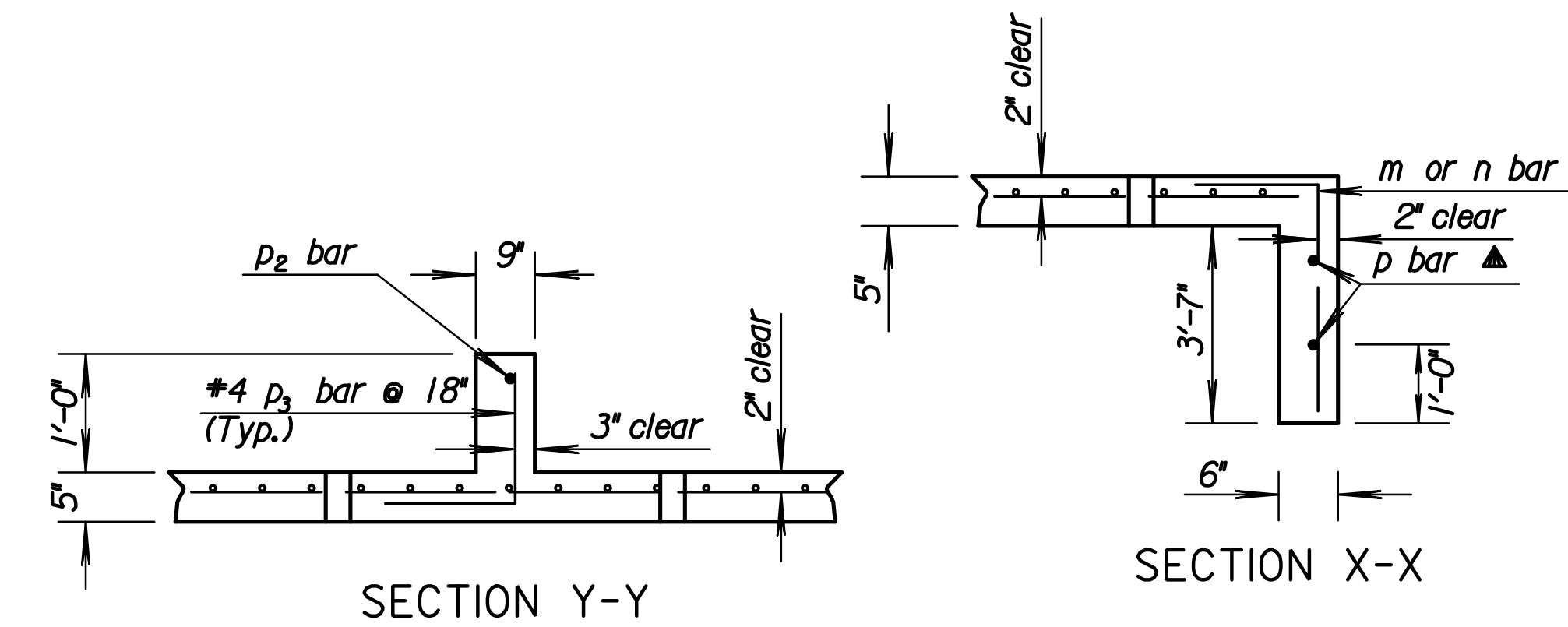
STATE	PROJECT NO.	YEAR	SHEET NO.	TOTAL SHEETS
KANSAS	87 N-0514-01	2010	48	148



GENERAL NOTE
CONCRETE: Concrete Grade 4.0 shall be used throughout. All exposed edges shall be finished with an edging tool.
REINFORCING: All dimensions are to ϕ of bar except where noted. All reinforcing bars are No. 4. Reinforcing bars shall be Grade 60 billet steel. Minimum clearance on all reinforcement shall be 2".
 Welded wire reinforcement shall be paid as pounds of reinforcing steel. When holes in the apron are warranted by drainage conditions they shall be constructed as directed by the Engineer.

Welded Wire Reinforcement
 6 x 6 - W1.4 x W1.4

▲ Drill and grout p and q bars into wingwalls and p₁ bar into wing footings when the soil saver end wall is constructed separately from the wingwalls. Drilling and grouting shall be Subsidiary to the bid item "Reinforcing Steel".



∅ Angle varies according to skew of RCB. Bars shall be field bent.

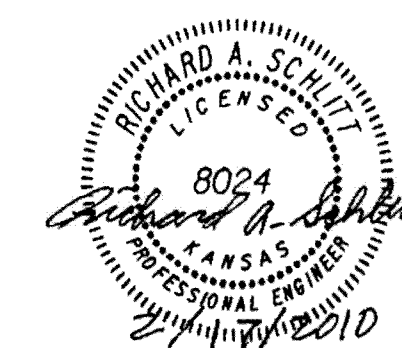
BENDING DIAGRAMS

STATION	SIDE RIGHT				SKEW 00°			Z= 1'-0"
Letter	B	C	D	O	P	P ₁	P _S	
Dimension	26'-7 1/4"	58'-10 3/16"	19'-7 1/2"	5'-10"	86'-7 1/2"	19'-7 1/2"	7'-10 1/2"	
Bar	m*	p	p ₁	p ₂ *	p ₃			
Number	58	4	2	2	34			
Length	5'-2"	45'-6"	23'-7"	4'-1"	2'-1"			
								1676 Sq. Ft.
								Grade 4.0 Conc. 34.8 Cu.Yd.
								Reinf. steel 406 Lbs.

Quantities include apron and soil saver end wall. Quantities are included on the SE wingwall sheet.

* See bending diagrams.

SUMMARY OF APRONS				
Station	Culvert Size	Side	Z	Skew
5+86.19	5-12'x10'	Right	1'-0"	---



NO.	DATE	REVISIONS	BY	APP'D
2	04-28-05	Chg. Class to Grade concrete, WWR	S.W.K.	J.O.B.
1	08-01-00	Revised Drill & Grout Note	R.J.S.	J.O.B.

CITY OF WICHITA
 127TH ST. STA. 5+86.19
APRON FOR R.C. CULVERTS
 127th and Harry St.
 RD520

DESIGNED	6-10-05	APP'D. James O. Brewer
QUANTITIES		TRACED Bowser
DESIGN CK.	DETAIL CK.	QUAN. CK. TRACE CK. Seltz