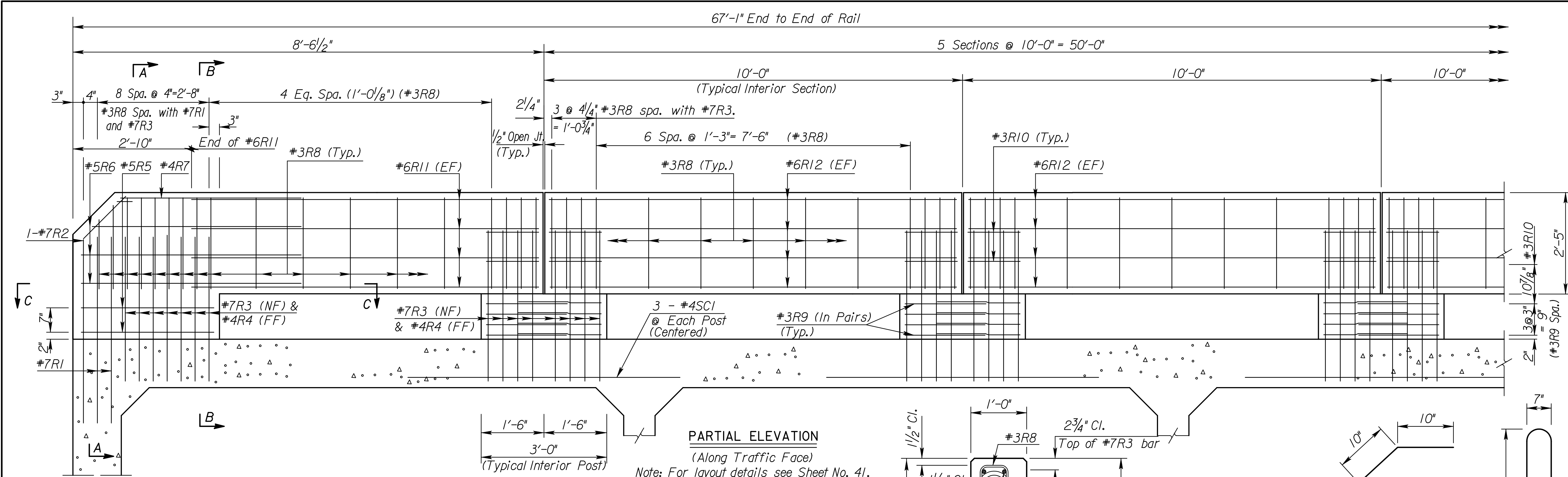


STATE	PROJECT NO.	YEAR	SHEET NO.	TOTAL SHEETS
KANSAS	87 N-0514-01	2010	50	148



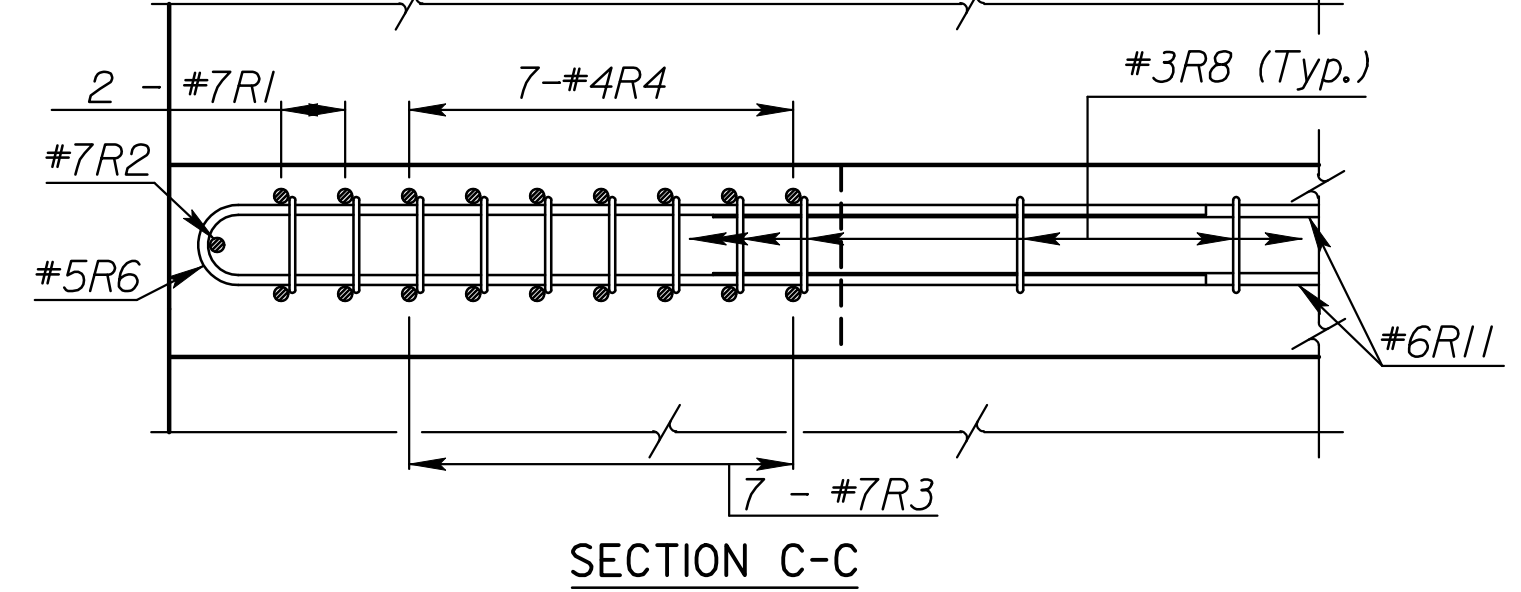
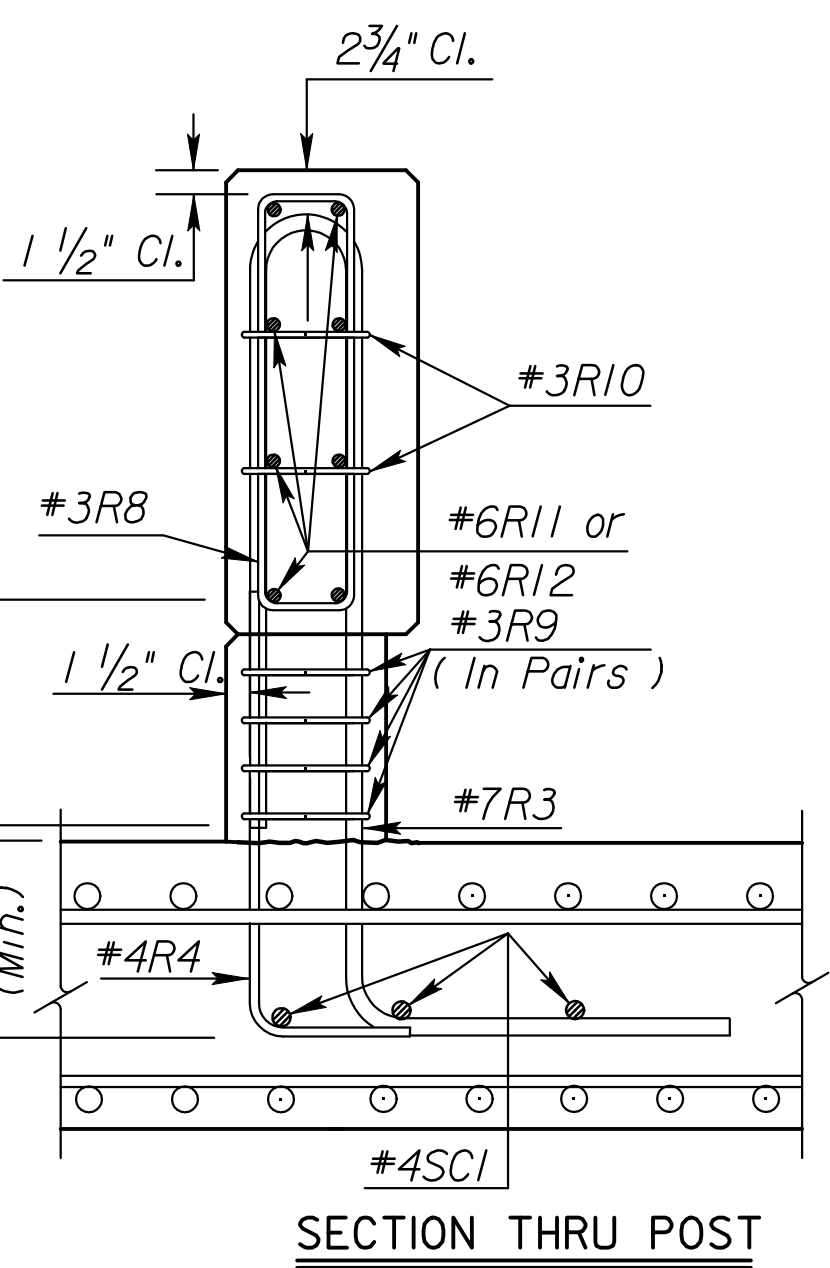
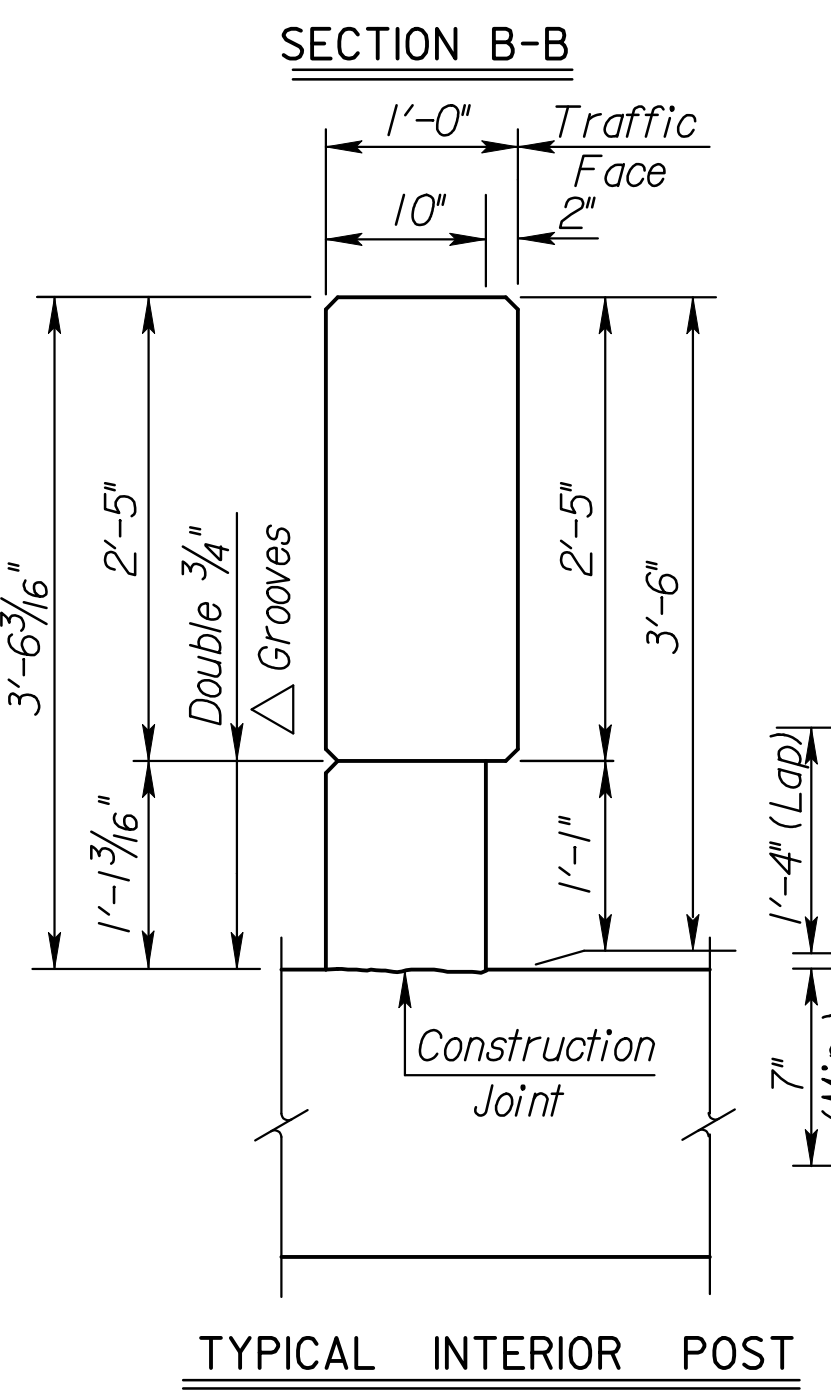
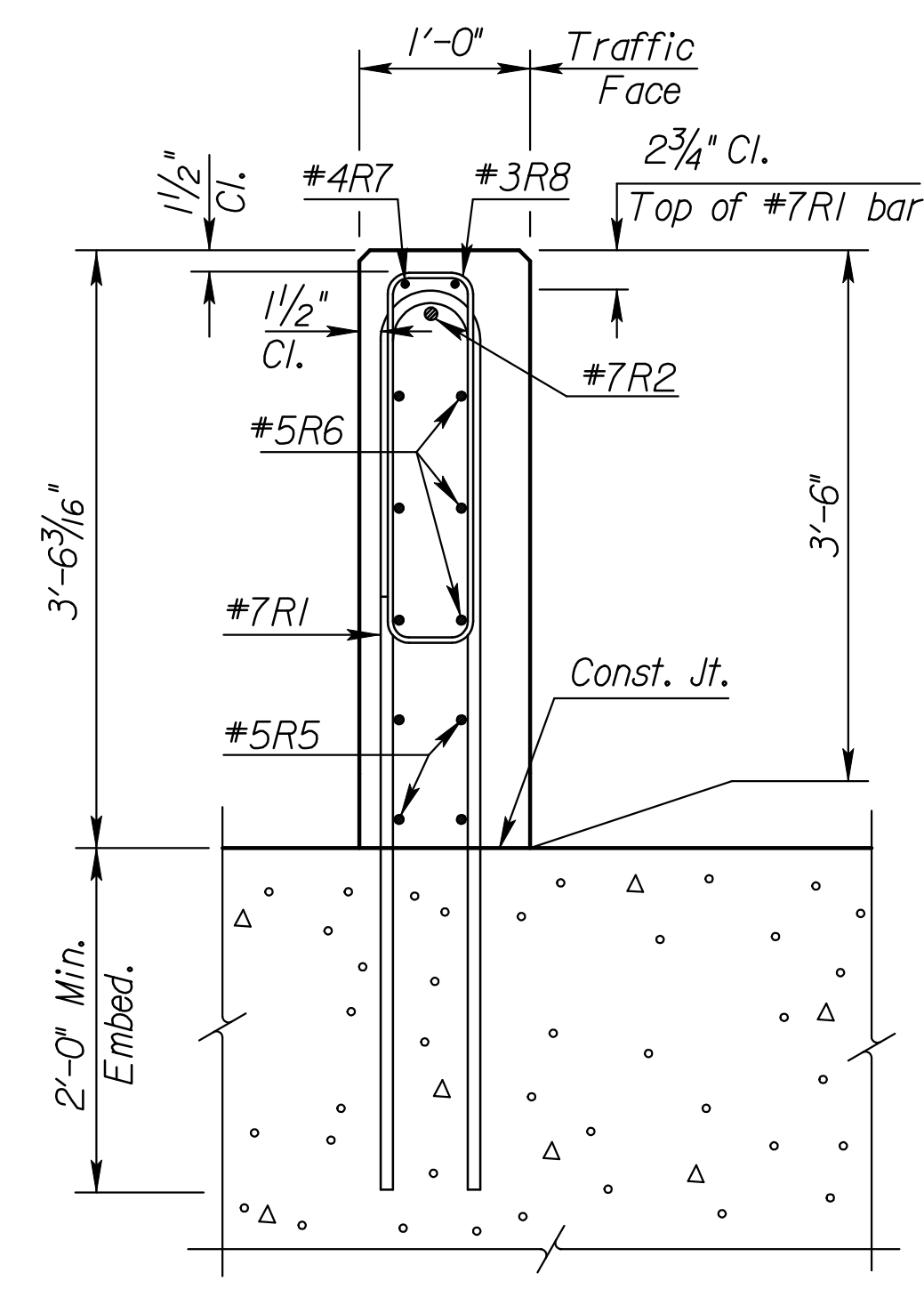
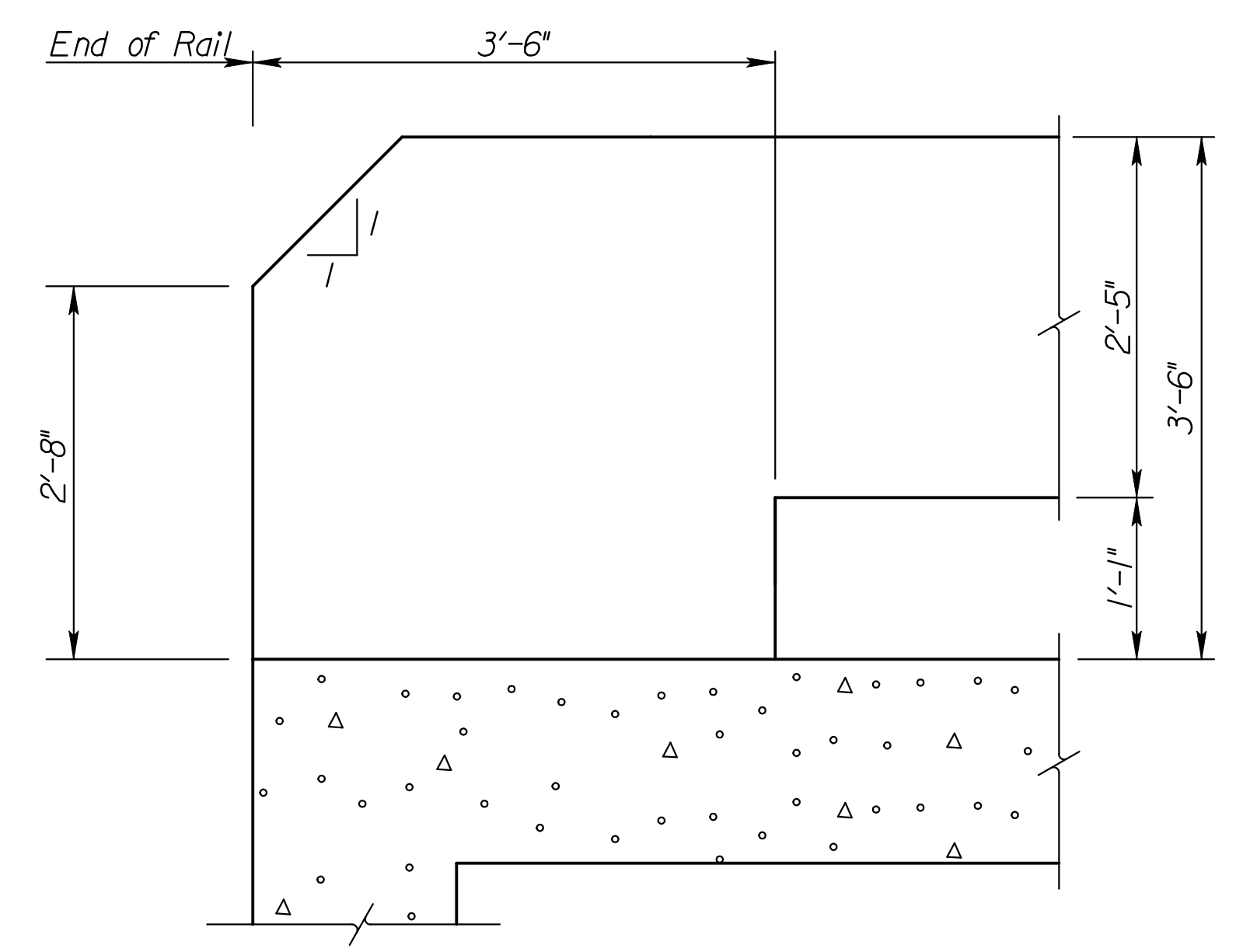
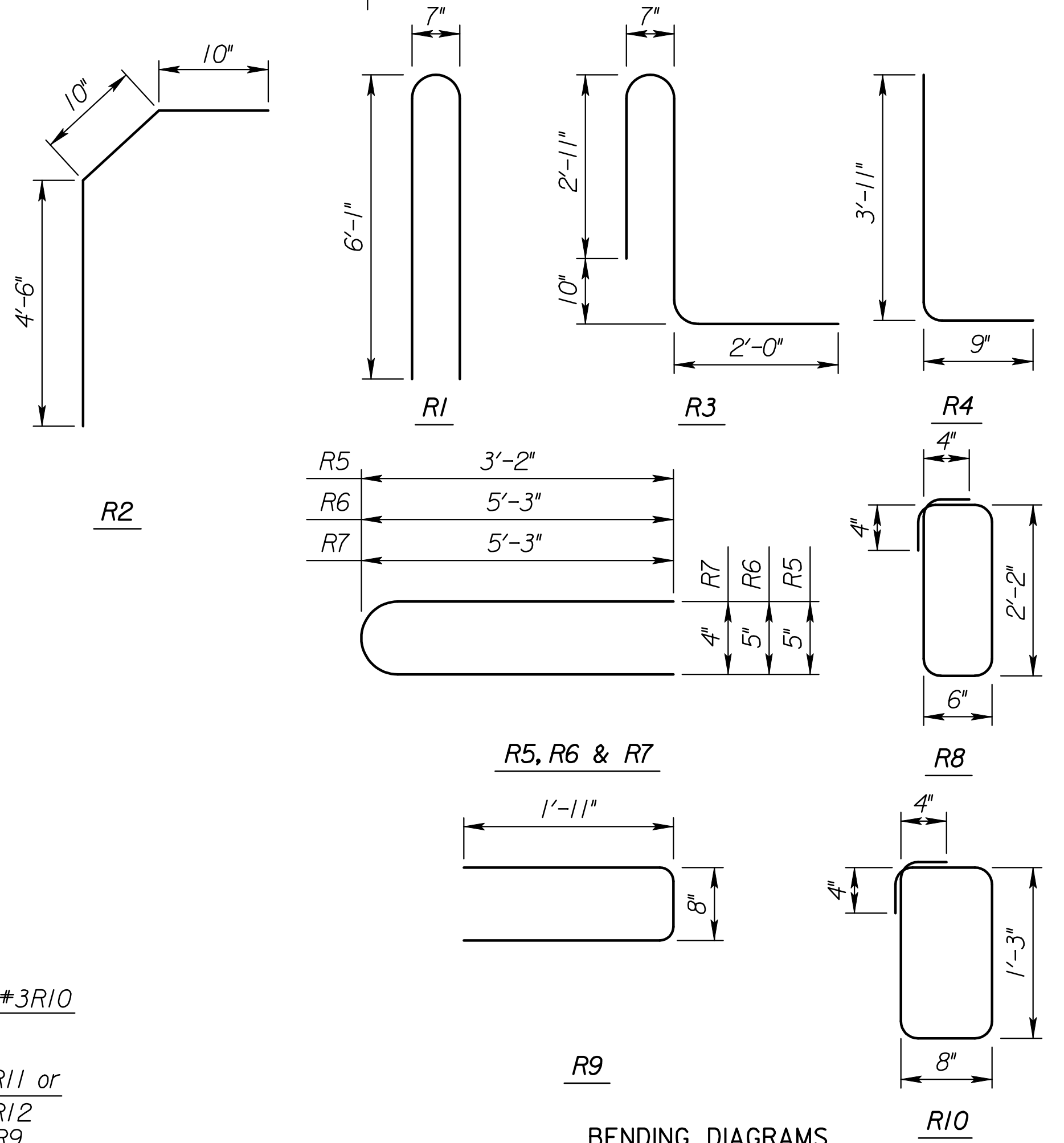
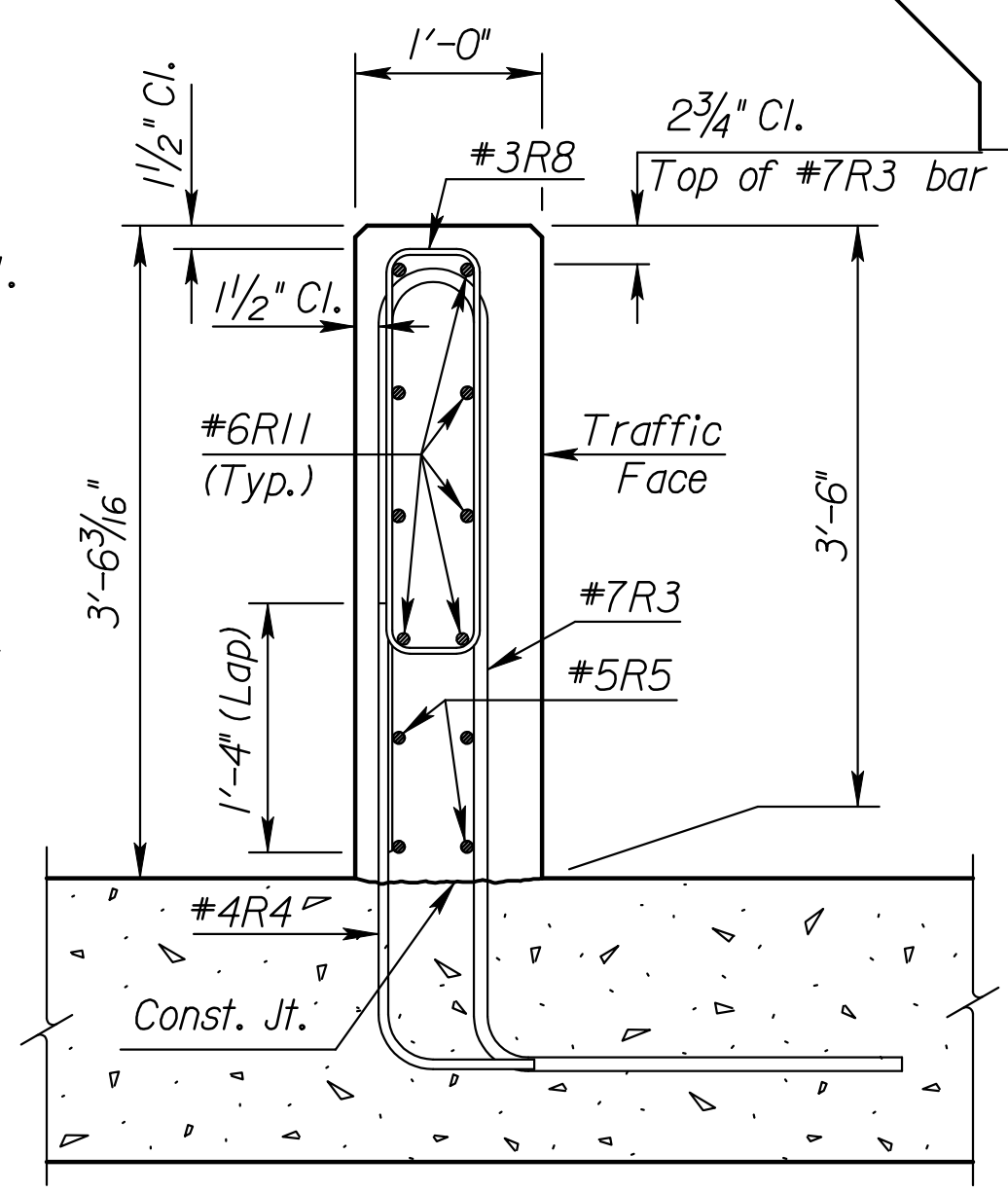
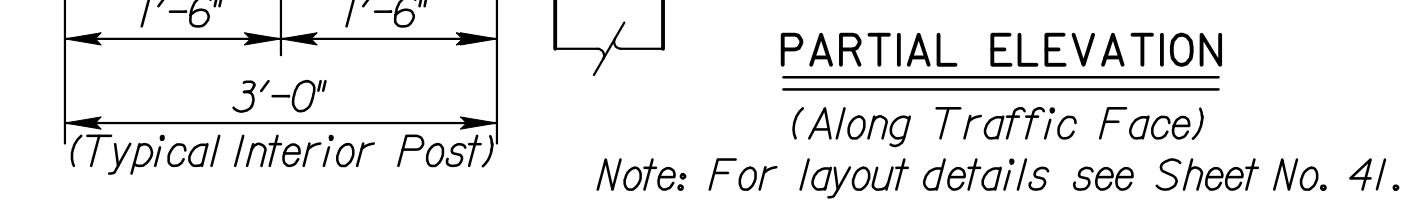
**BILL OF MATERIALS (EAST SIDE)**

REINFORCING STEEL							
Mark	No.	Size	Length	Mark	No.	Size	Length
R1	4	#7	12'-9"	R7	2	#4	10'-8"
R2	2	#7	6'-2"	R8	97	#3	6'-0"
R3	62	#7	10'-2"	R9	48	#3	4'-6"
R4	62	#4	4'-8"	R10	24	#3	4'-6"
R5	4	#5	6'-6"	R11	16	#6	5'-7"
R6	6	#5	10'-8"	R12	40	#6	9'-8"
SCI	18	#4	5'-6"				

* SUMMARY OF QUANTITIES		
Item	Quantity	Unit
Concrete (Grade 4.0)(AE)	6.9	C.Y.
Reinforcing Steel (Gr. 60) (Epoxy)	2841	Lbs.

*\* For Information Only (Total - 1 End) Quantities are listed on RFB Detail sheet.*



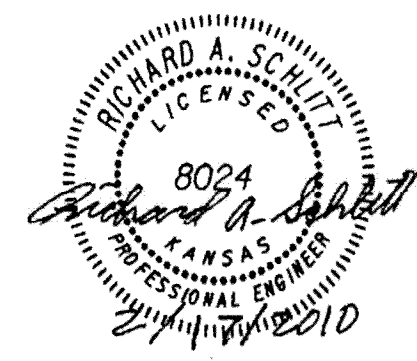
**BENDING DIAGRAMS**  
(All dimensions are out to out of bars.)

NO.	DATE	REVISIONS	BY	APP'D
3				
2				
1				

**KANSAS DEPARTMENT OF TRANSPORTATION**  
127TH ST. STA. 5+86.19  
42" KANSAS CORRAL RAIL (EAST)  
R C B SLAB (Without Curb)

Proj. No. 87 N-0514-01 Sedgwick Co.

SHEET NO.	OF	SCALE	APP'D
DESIGNED		DETAILED	QUANTITIES
DESIGN CK.		DETAIL CK.	QUAN. CK.
			CADD CK.



Std. Base File: br182a.dgn  
 Plotted By: rjm  
 File: i:\2008\0878\Office Check\0878-050-CorralRail\_East.dgn  
 Plot Date: 2/16/2010