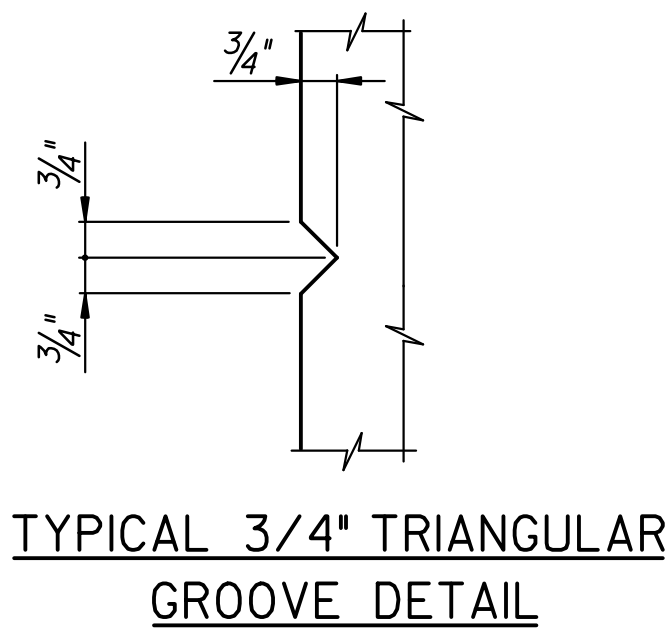
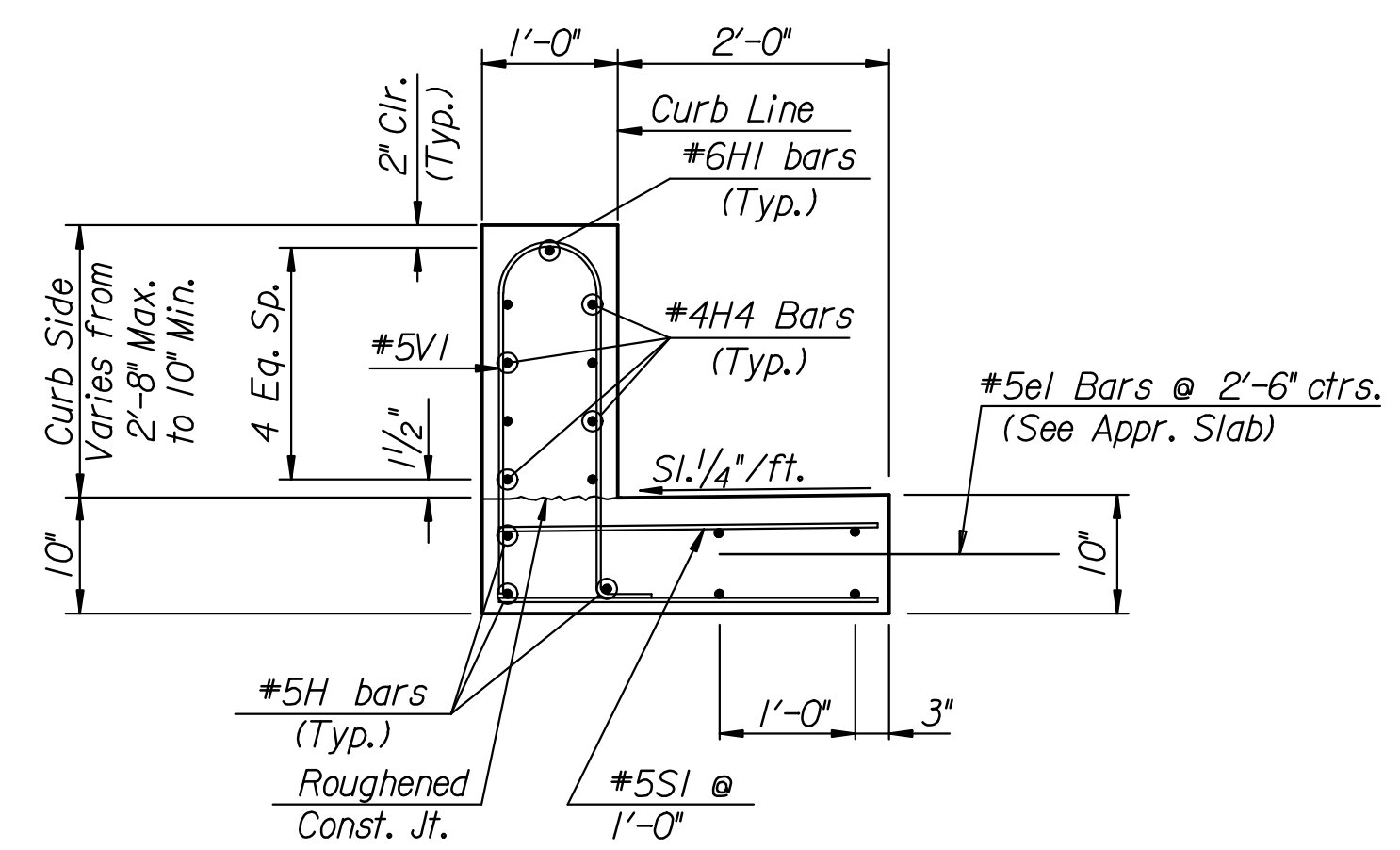


SECTION B-B
Right (Type I)



TYPICAL 3/4" TRIANGULAR
GROOVE DETAIL



SECTION A-A
(TRANSITION THRU SAFETY BARRIER)

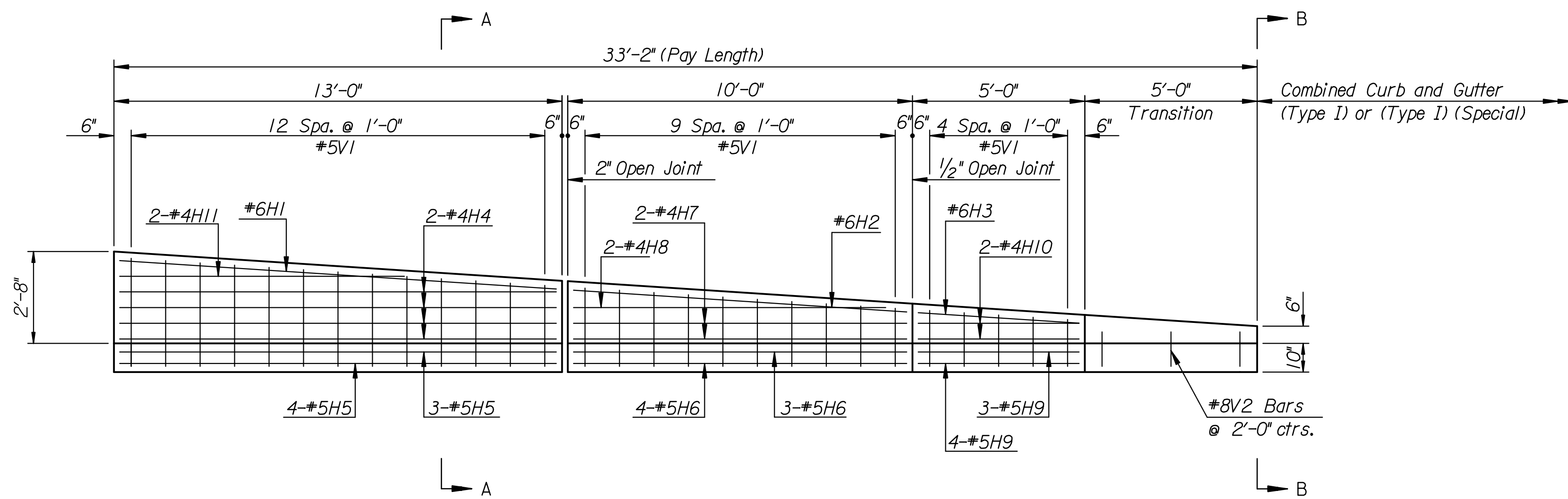
Adjust F.L. & crossslope in first 5' to meet
Combined Curb & Gutter (Type I) or (Type I) (Special)

BILL OF MATERIALS

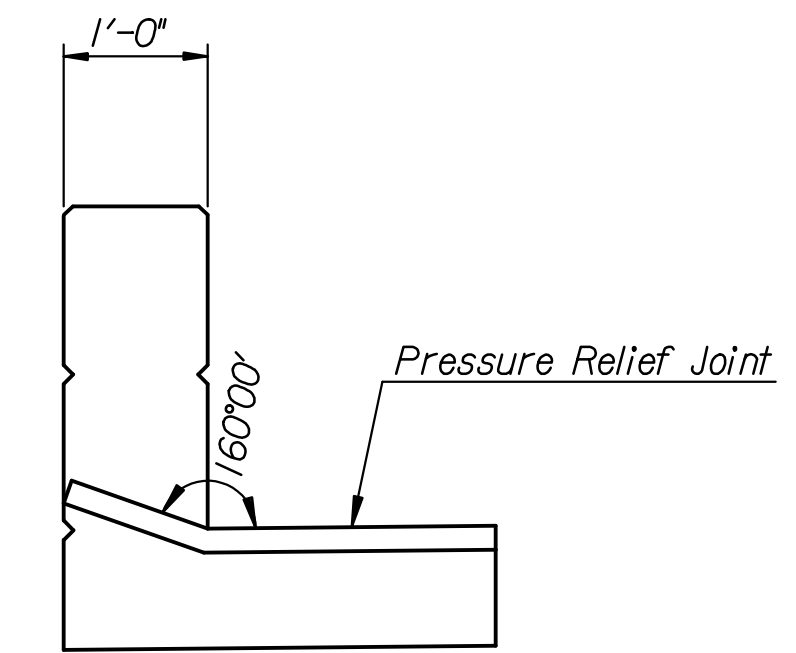
REINFORCING STEEL							
Mark	No.	Size	Length	Mark	No.	Size	Length
H1	1	6	12'-8"	H6	7	5	9'-8"
H2	1	6	9'-8"	H7	4	4	9'-8"
H3	1	6	4'-8"	H8	2	4	9'-1"
H4	8	4	12'-8"	H9	7	5	4'-9"
H5	7	5	12'-8"	H10	4	4	4'-8"
H11	2	4	8'-3"				
SI	28	5	2'-8"				
el	13	5	2'-6"				
V1	28	5	Varies				
V2	3	8	1'-0"				

* SUMMARY OF QUANTITIES		
Item	Quantity	Unit
Concrete (Grade 4.0)(AE)	4.9	C.Y.
Reinforcing Steel (Gr. 60) (Epoxy)	699	Lbs.

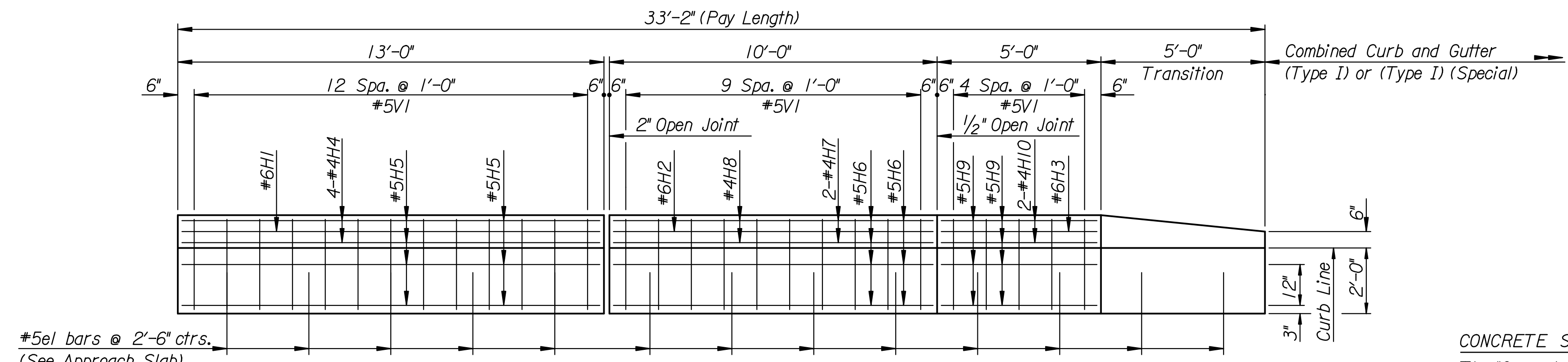
* For Information Only
Quantities are listed on RFB General Notes,
Quantities and Layout sheet.



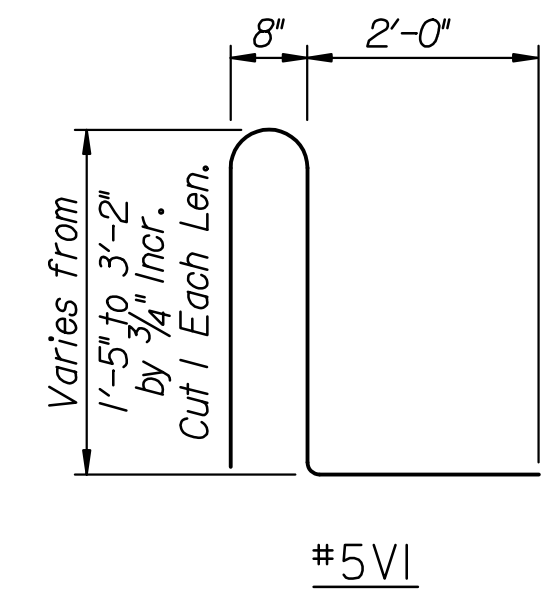
ELEVATION



TYPICAL BARRIER JOINT TREATMENT

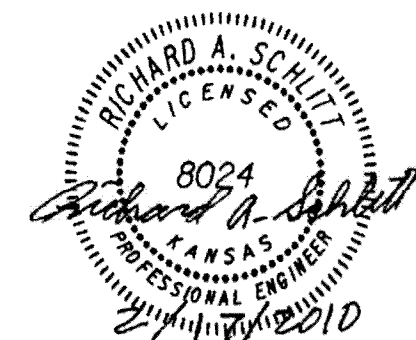


PLAN



BENDING DIAGRAMS
Dimensions are out to out of bars

CONCRETE SAFETY BARRIER (TRANSITION) NOTES
The "Concrete Safety Barrier (Transition)" shall be constructed of Concrete (Grade 4.0)(AE) and A-615 Grade 60 reinforcing steel.
The 2'-8" sections of the barrier shall be grooved with a 3/4" chamfer strip on all exposed edges.
The bid item "Concrete Safety Barrier (Transition)" measured per lined foot as per plan, shall be full compensation for furnishing all materials, equipment and labor necessary.



No.	Revisions	By	Date
CITY OF WICHITA 127TH ST. STA. 5+86.19 CONCRETE SAFETY BARRIER (TRANSITION) (NE) 127th and Harry St. PROJECT NO. 87 N-0514-01 SEDGWICK COUNTY			
Professional Engineering Consultants, P.A. 303 S. TOPEKA • WICHITA, KANSAS 67202 316-262-2691 • FAX 316-262-3003			
Designed by	R.J.M	Checked by	R.A.S.
Drawn by	R.J.M	Date	Feb. 2010 Job No. 08778