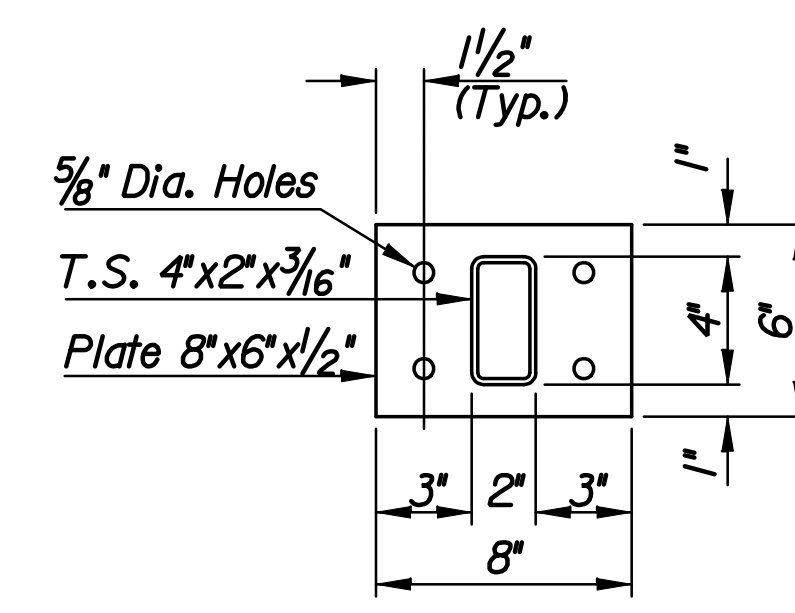
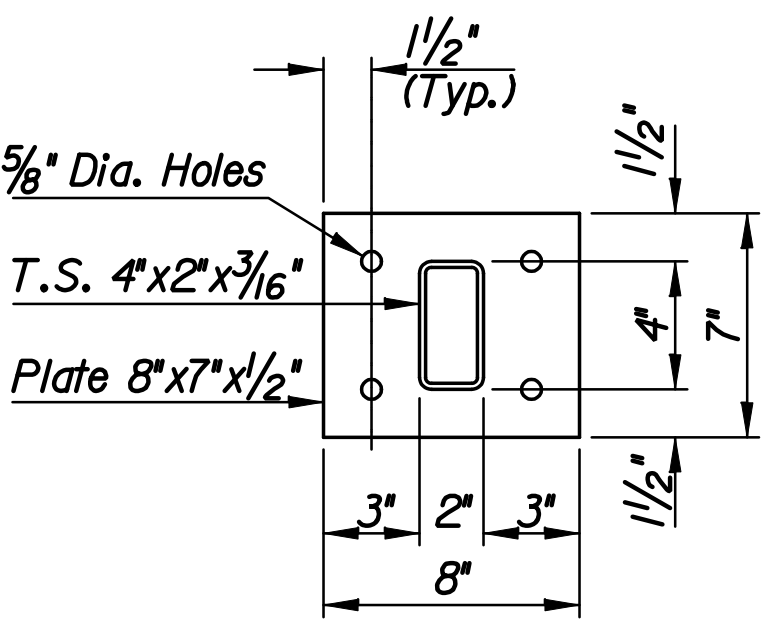
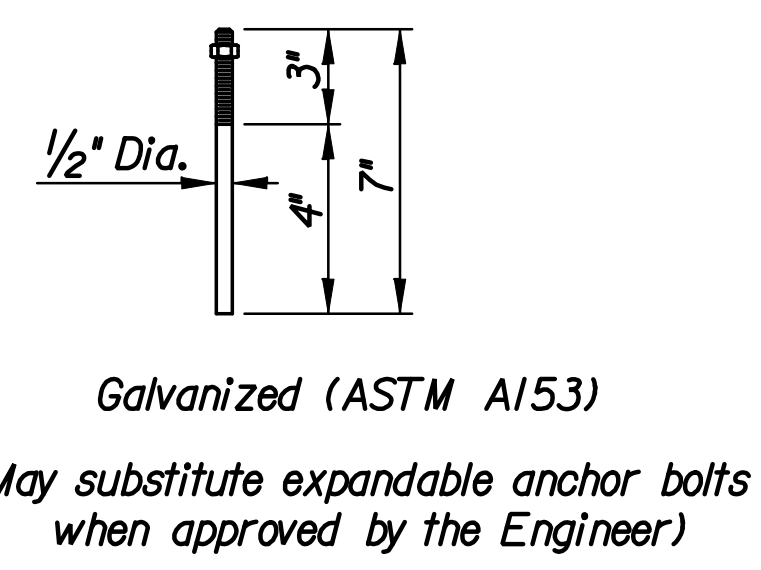
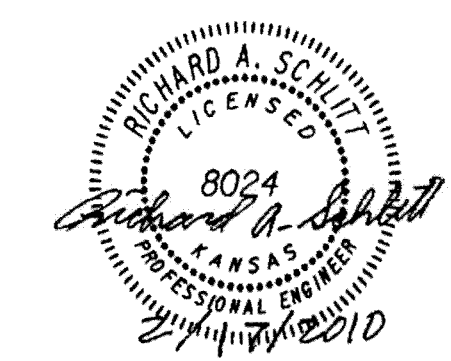


TYPICAL POST
Center Posts on Hubguard or Wingwall
GENERAL NOTES

The horizontal members of the Rail and Posts shall be hollow structural tubing. All structural steel tubing shall comply to A.S.T.M. designation A36 or A500 Grade B respectively. Rail shall be fabricated in lengths as shown from joint to joint and joint to end. Post and Bars shall be set vertical and shimmed if required. Prior to painting abrasive blast to commercial finish SSPC-SP6 to obtain a surface profile of 1-1/2 Mils. The shop and field coats applied to structural steel shall conform to an inorganic Zinc Primer with water-borne Acrylic finish coat. (The finish coat shall match Carboline #C900, Ebony Black). Provide a color sample to the Engineer with shop drawing submittal. Material and construction shall conform to the structural welding code A.W.S. D1.1-01. Shop details must be submitted and approved by the Engineer.



No.	Revisions	By	Date
CITY OF WICHITA HANDRAIL DETAILS (VIEWS K AND L) 127th and Harry St. PROJECT NO. 87 N-0514-01 SEDGWICK COUNTY			
Professional Engineering Consultants, P.A. 300 S. TOPEKA • WICHITA, KANSAS 67202 316-262-2691 • FAX 316-262-3003			
Designed by	R.J.M.	Checked by	R.A.S.
Drawn by	R.J.M.	Date	Feb. 2010
			Job No. 08778

Plotted By: rjm
File: i:\2008\08778\Office Check\08778-068-PedRail-F.dgn