

PROJECT NO.	YEAR	SHEET NO.	TOTAL SHEETS
KA-1006-04	2010	5	71

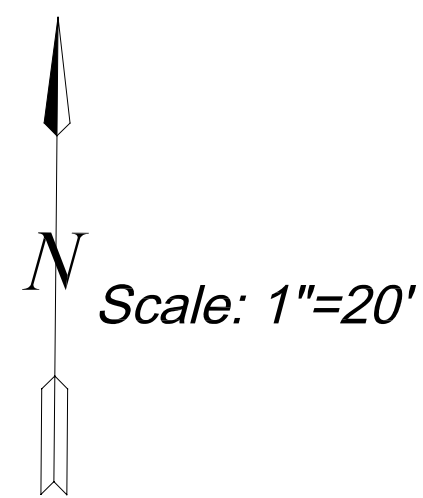
**NOTE:**

\*\* The closest standard horizontal elliptical pipe size was used for extensions of existing pipe. Field verify exist. pipe sizes will match into the proposed pipe sizes of the extensions.

Note: Coordinate construction and paving activities with concurrent KA-1006-02 Project (by others)

**LEGEND**

 CONCRETE PAVING



**PROJECT SURVEY CONTROL**

Points Adjusted Coordinates in SPC83 Grid Zone Kansas South

(Proj. Coord. + 1,000,000) x 0.999889596 = NGS State Plane Coord. NAD 1983

Vertical Datum: Sea Level Datum of NAVD 1988

Datum Bench Mark: NGS Station E349=HCP #11  
2009 Elev. = 1276.41

To Remain  
STA. 2064+77.14 BEGIN  
PROJ. NO. 472-84872 &  
PROJ. NO. KA-1006-04  
STA. 2064+77.14 ON  
PROJ. NO. 135-87 KA-1006-02

Sta. 2064+50.00  
657436.0416 N  
654175.7353 E

Sta. 2065+41.25,  $\odot$  47th St. Const.  
Curb Inlet Type 1, 22.00' Rt.  
Extend Rt. 1.5 sq. ft. X 4' SWS (RCPHEXN)  
Connect to 200  
Install 24" X 97" SWS (RCP)W (By Others)  
Connect to Existing Inlet  
See Sht. No. 28

P.O.T.  $\odot$  47th St. Sta. 2064+50.0000, 5.5000' Lt. =  
Survey Baseline 47th St., Sta. 64+60.7900  
1. No Bar Set

P.O.T. Survey  $\odot$  47th St., Sta. 51+83.2500 =  
1/4 Section Corner, S/4 Cor. Sec. 16 T28S, R1E  
Survey # = Section line  
N=657430.8022  
E=652898.1943

B.M. #76  $\odot$  cut on light pole base 87' S of  
S. curb 47th 35' W of  $\odot$  Pattie extended  
Sta. 2061+22.59, 108.63' Rt.,  $\odot$  47th, Elev. 1275.71

B.M. #59 Mag nail & washer set in concrete  
entrance pavement to 1401 E 47th on S. side  
of 47th  $\pm$  85' E of  $\odot$  Lulu  
Sta. 2065+76.01, 33.60' Rt.,  $\odot$  47th, Elev. 1272.07



47TH STREET PLAN  
STA. 2064+77 TO STA. 2069+00

CITY ENGINEER  
JAMES L. ARMOUR, P.E., L.S.

PROJECT NUMBER	OCA NUMBER	DATE
472-84872	991306	03/10

CITY ENGINEER'S OFFICE CITY HALL - SEVENTH FLOOR 455 NORTH MAIN STREET WICHITA, KANSAS 67202-1620 (316) 268-4501 (316) 268-4114 FAX	DESIGN EGS DRAWN RAM SHEET 5 OF 71
--	---

Plotted on: Friday, March 19, 2010 10:07  
Kochenderfer Plot Output: \\CBSM001\KCD\38935-PS  
Plot Scale: 1/8"=1'-0"  
Design Filename: \\kcoo00\jobs\50317\Roadway\CD\Plan\_Profiles\47th.pnldgn

\\kcoo00\jobs\50317\Roadway\CD\Plan\_Profiles\47th.pnldgn