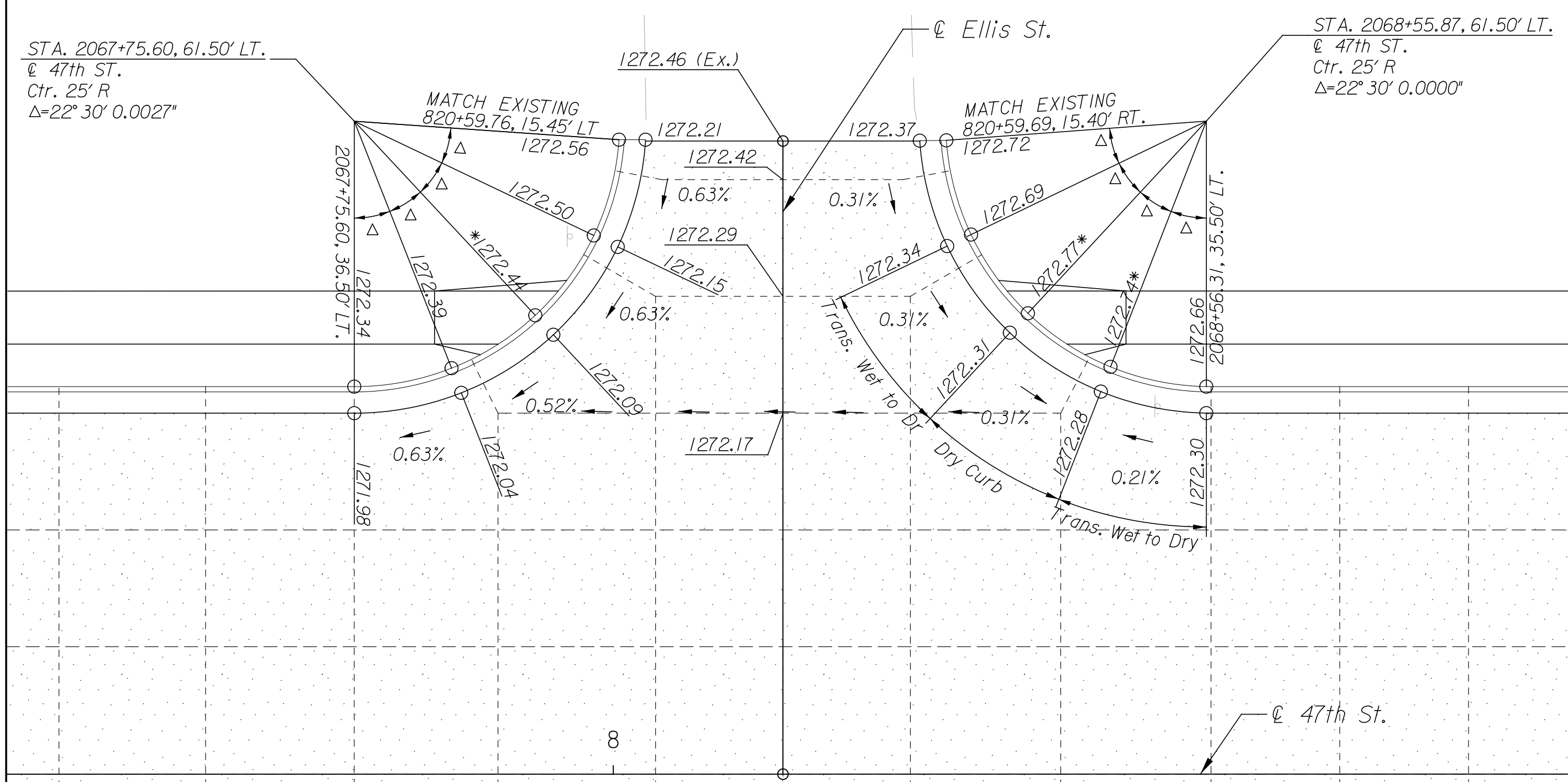


| | | | |
|-------------|------|-----------|--------------|
| PROJECT NO. | YEAR | SHEET NO. | TOTAL SHEETS |
| KA-1006-04 | 2010 | 14 | 71 |

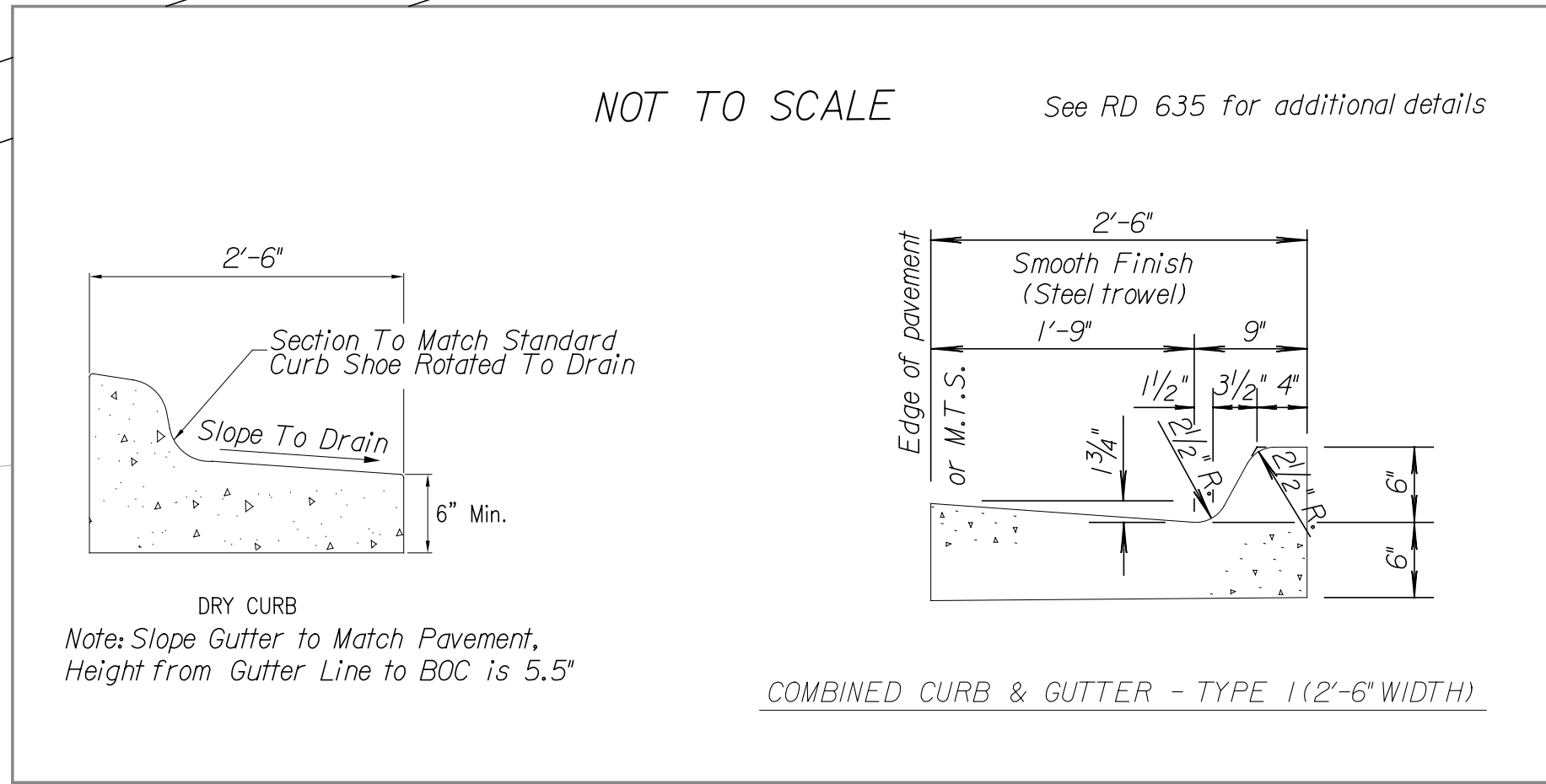
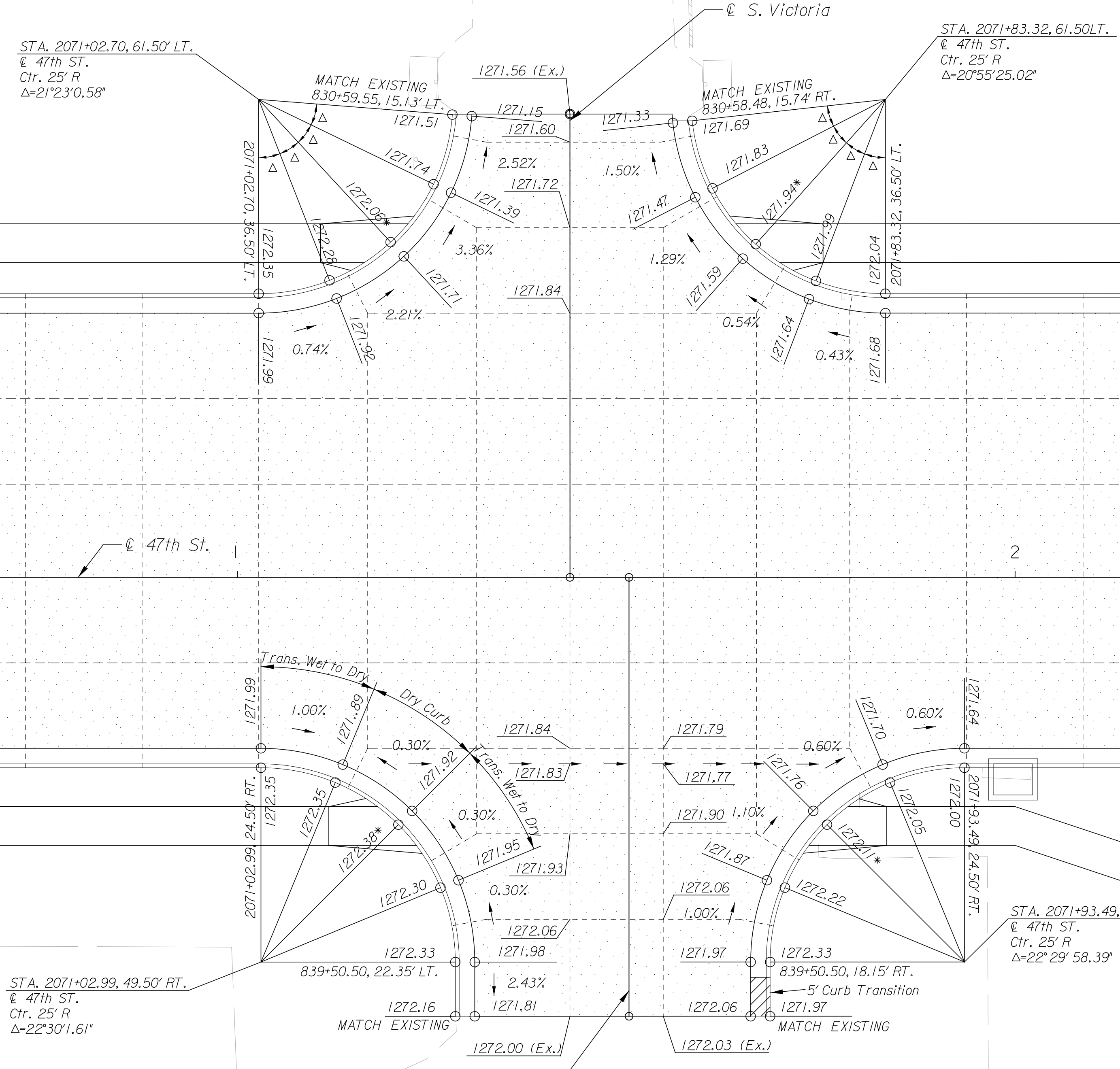


Scale: 1"=10'



Scale: 1"=10'

Notes: * Elevation based on Standard Type I Curb & Gutter section. Does not take into account variations due to Sidewalk Ramp or Dry Curb
All Curb and Curb Transitions to be paid for as Curb & Gutter Combined (AE)



LEGEND
Concrete Pavement

LEGEND
Concrete Pavement



INTERSECTION DETAIL
47TH ST. & ELLIS ST.
47TH ST. & VICTORIA

CITY ENGINEER
JAMES L. ARMOUR, P.E., L.S.

| | | |
|----------------|------------|-------|
| PROJECT NUMBER | OGA NUMBER | DATE |
| 472-84872 | 991306 | 03/10 |

CITY ENGINEER'S OFFICE
CITY HALL - SEVENTH FLOOR
455 NORTH MAIN STREET
WICHITA, KANSAS 67202-1620
(316) 268-4501
(316) 268-4114 FAX

DESIGN DRAWN
EGS RAM
SHEET
14 OF 71

Plotted on: Friday, March 19, 2010 10:08
Kochenderker Plot Output: \\CBSM001\KCS08935-PS
Plot Scale: 9.9999881 Pen Table: 5037_half.dgn
Design Filename: \\kcoo00\jobs\5037\Roadway\CD\Details\Intersection\Detail\47th_Int02.dgn



\\kcoo00\jobs\5037\Roadway\CD\Details\Intersection\Detail\47th_Int02.dgn