

**PRECAST SLAB AND FLOOR REINFORCING**

MARK	SIZE	W = 4'-4"		W = 5'-4"		W = 6'-4"		W = 7'-4"		W = 8'-4"	
		NO.	LENGTH	NO.	LENGTH	NO.	LENGTH	NO.	LENGTH	NO.	LENGTH
a1	#4	13	6'-7"	13	8'-7"	13	10'-7"	13	12'-7"	13	14'-7"
a2	#4	4	6'-0"	4	8'-0"	4	10'-0"	4	12'-0"	4	14'-0"
a3	#4	23	4'-1"	23	5'-1"	23	6'-1"	23	7'-1"	23	8'-1"
b1	#4	1	9'-9"	1	9'-9"	1	9'-9"	1	9'-9"	1	9'-9"
b2	#4	23	11'-1"	29	11'-1"	35	11'-1"	41	11'-1"	47	11'-1"
x1	#4	16	3'-10"	16	4'-2"	16	4'-6"	16	4'-10"	16	5'-2"

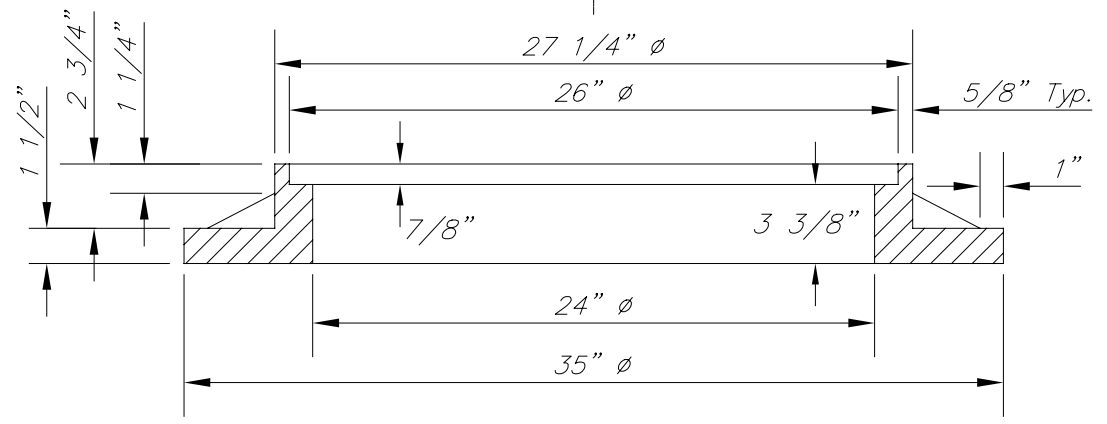
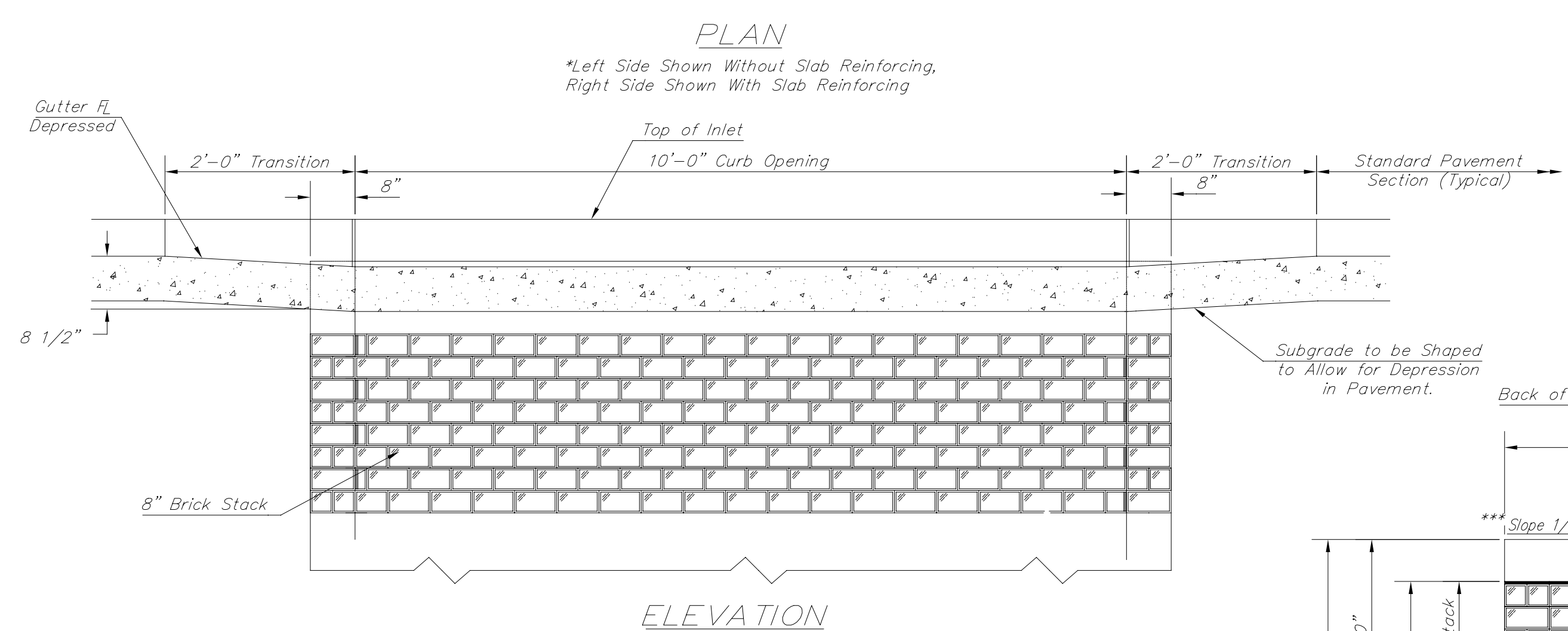
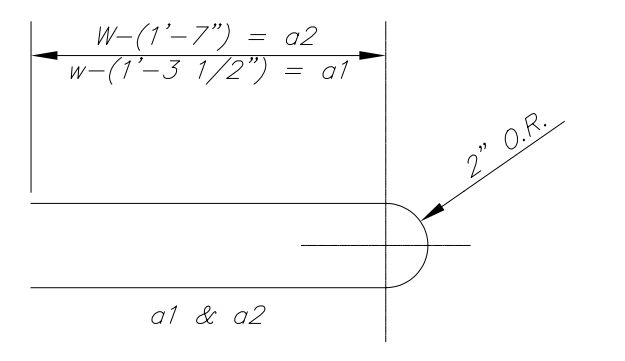
**WALL REINFORCING**

MARK	SIZE	W = 4'-4"		W = 5'-4"		W = 6'-4"		W = 7'-4"		W = 8'-4"	
		NO.	LENGTH	NO.	LENGTH	NO.	LENGTH	NO.	LENGTH	NO.	LENGTH
w1	#4	1	11'-1"	1	11'-1"	1	11'-1"	1	11'-1"	1	11'-1"
w2	#4	1	4'-1"	1	5'-1"	1	6'-1"	1	7'-1"	1	8'-1"
w3	#4	52	2	56	2	60	2	64	2	68	2

\* Field Bend or Cut Reinforcing as Required for Clearance.  
 ① 4 (H - 12") (H - 21") Rounded down to nearest 0.5"  
 ② H - 3"

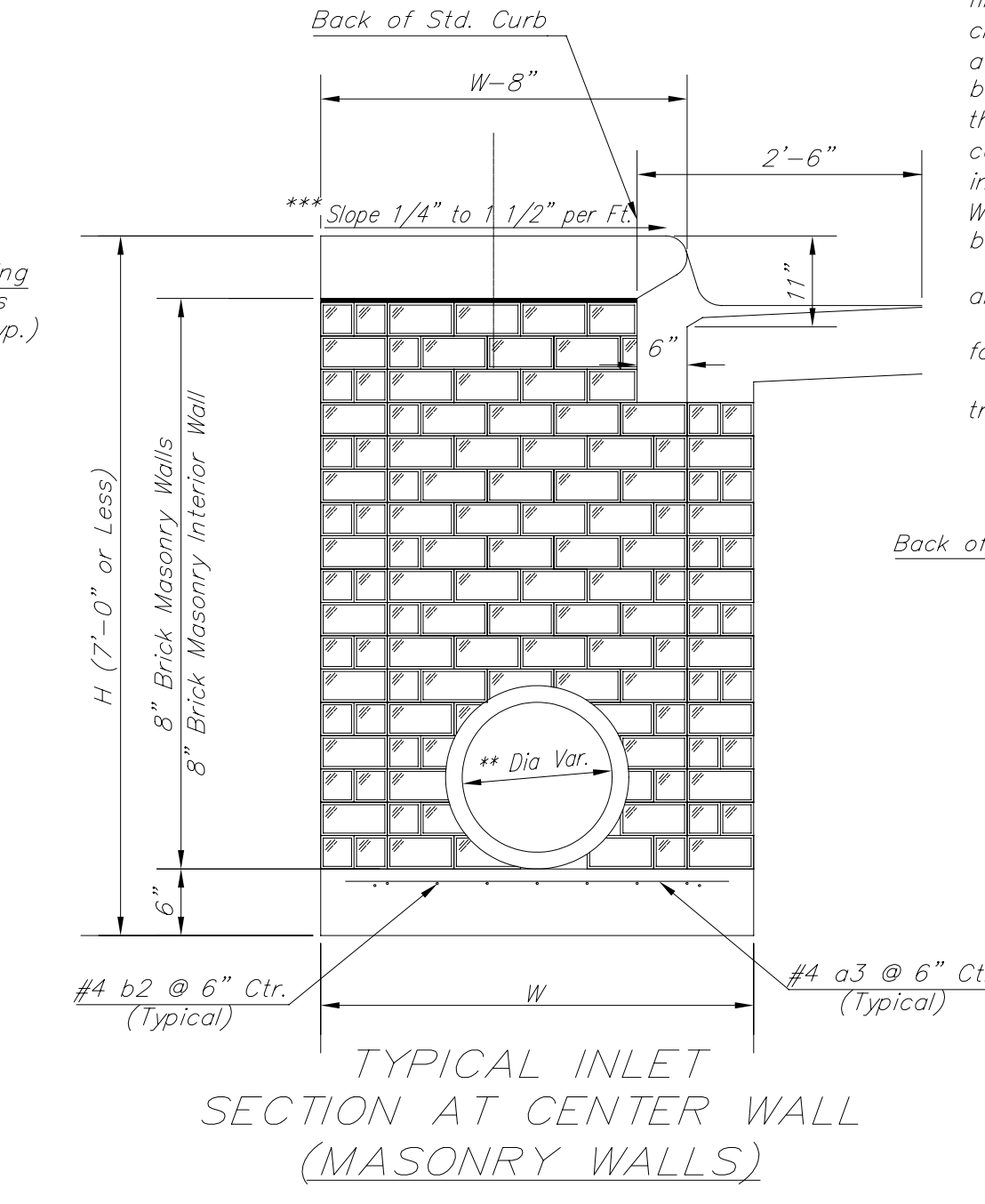
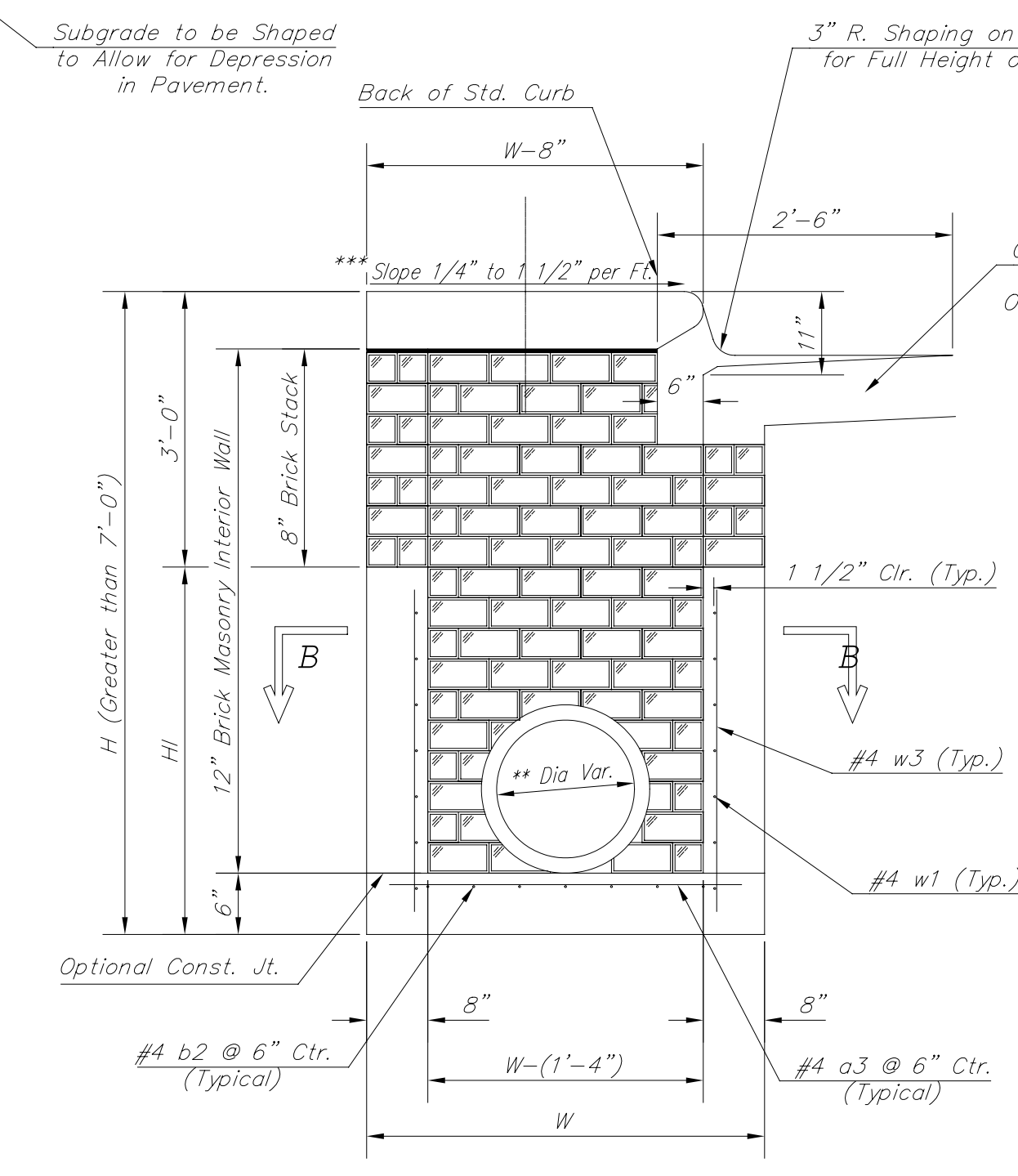
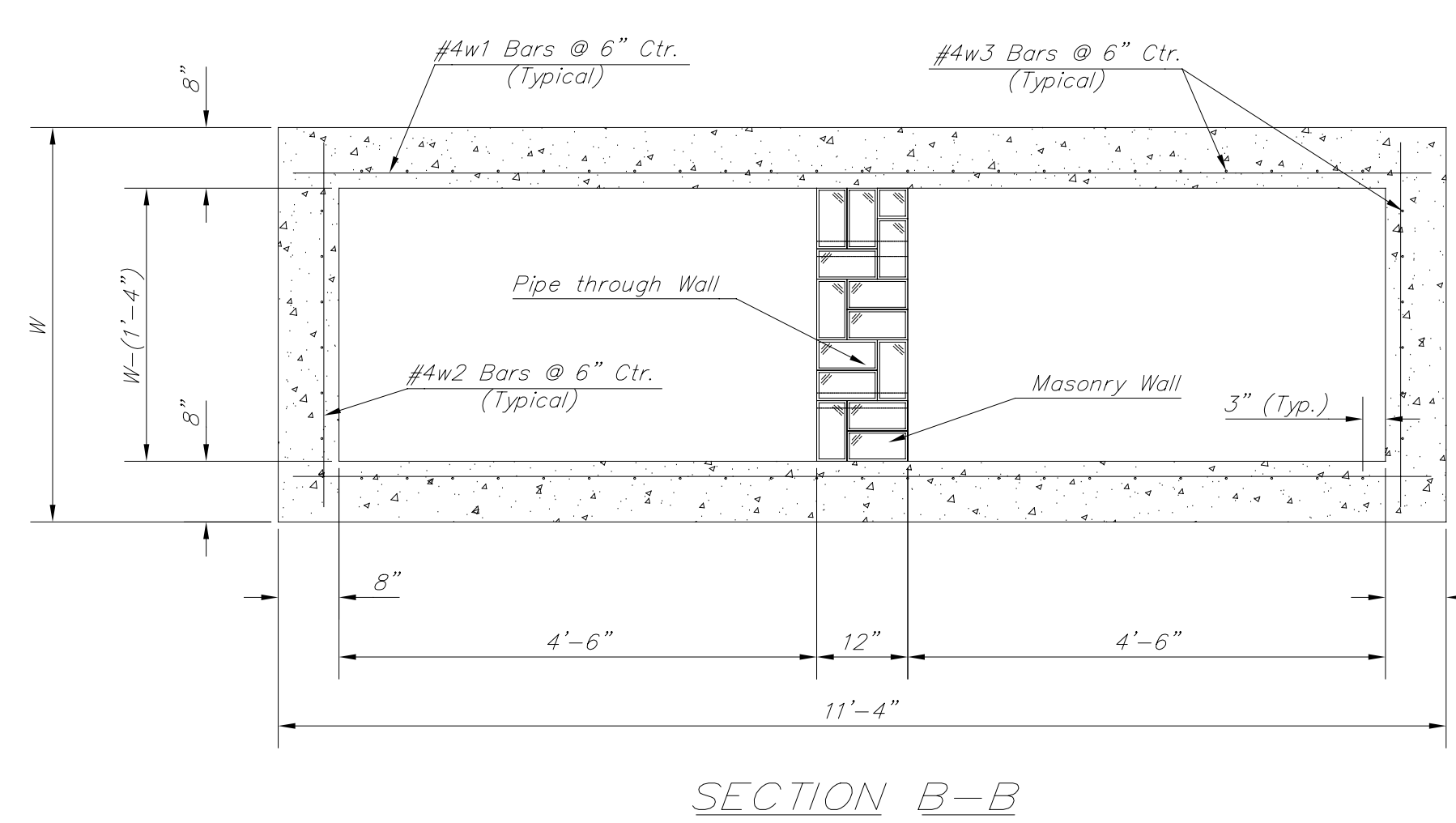
**STANDARD CURB INLET PRECAST TOPS**

W	PRE-CAST TOP SIZE	PIPE SIZE	CU. YD. CONC.
4'-4"	3'-8" x 11'-4" x 7 1/2"	21" & SMALLER	0.83±
5'-4"	4'-8" x 11'-4" x 7 1/2"	24" & 30"	1.09±
6'-4"	5'-8" x 11'-4" x 7 1/2"	36" & 42"	1.35±
7'-4"	6'-8" x 11'-4" x 7 1/2"	48" & 54"	1.61±
8'-4"	7'-8" x 11'-4" x 7 1/2"	60" & 66"	1.87±



**GENERAL NOTES:**

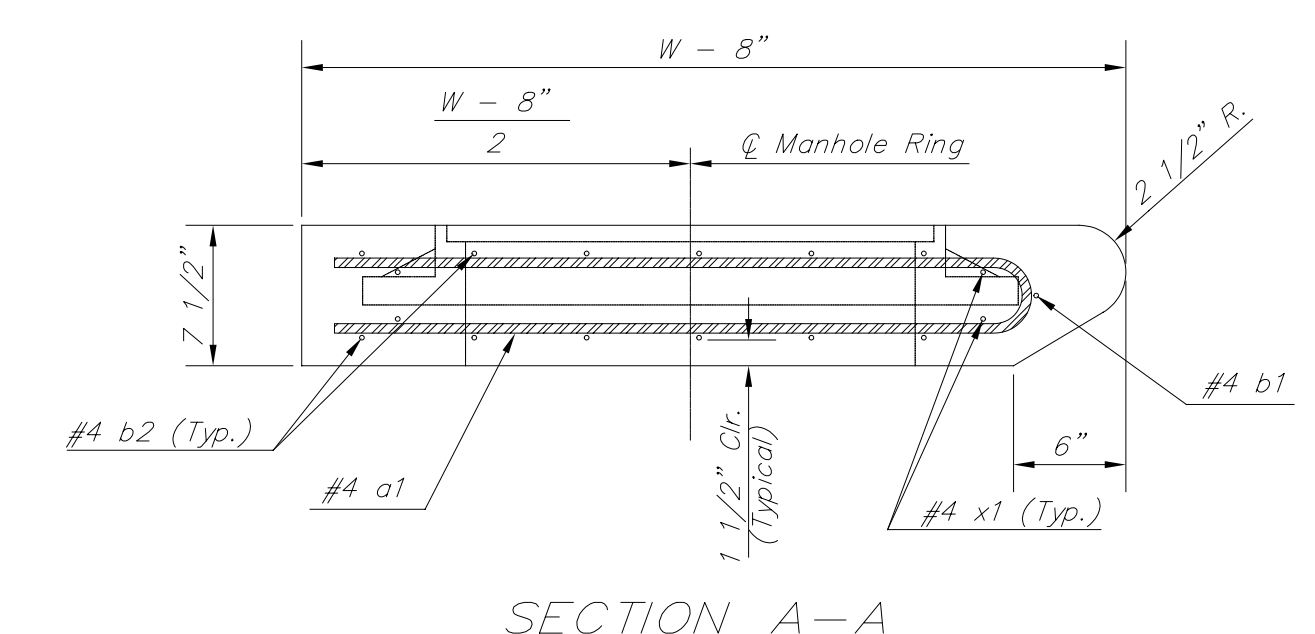
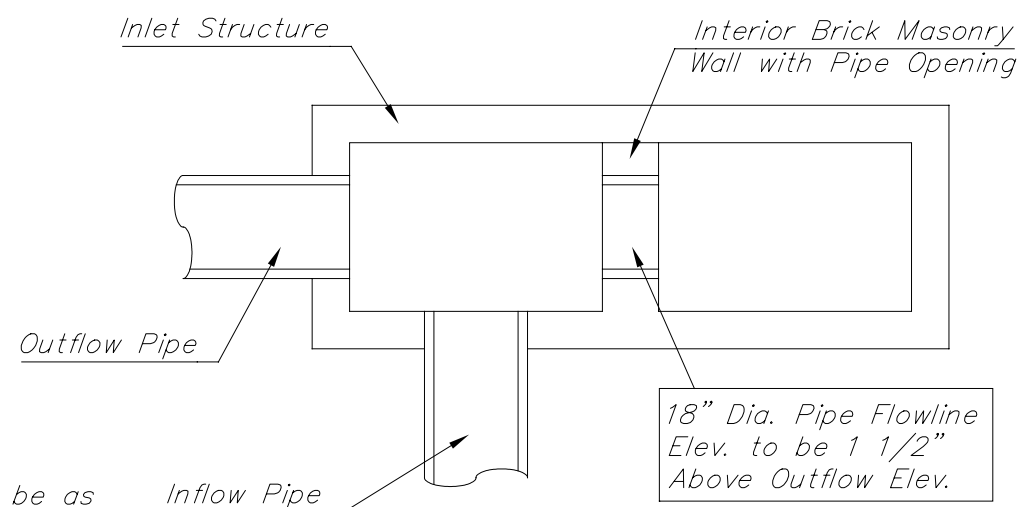
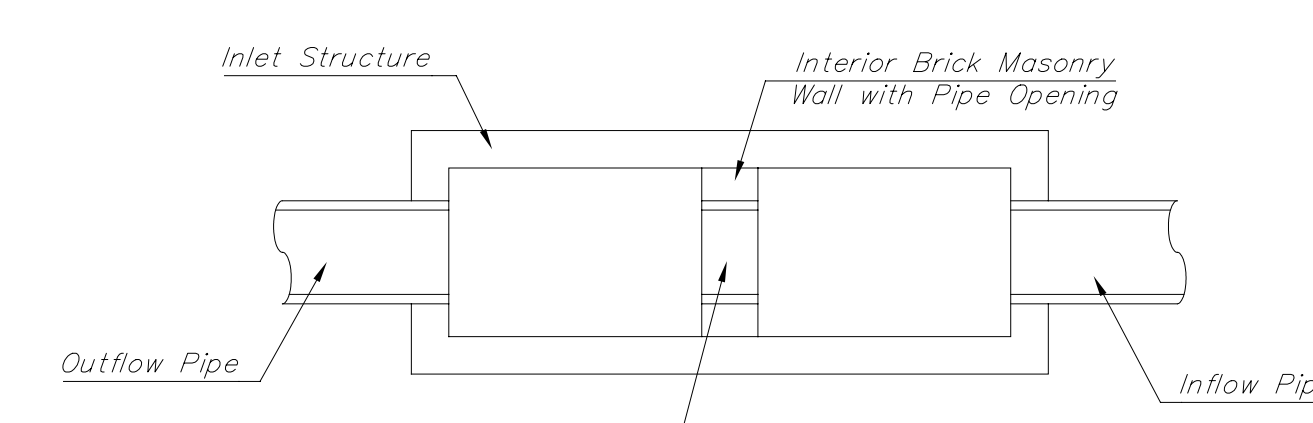
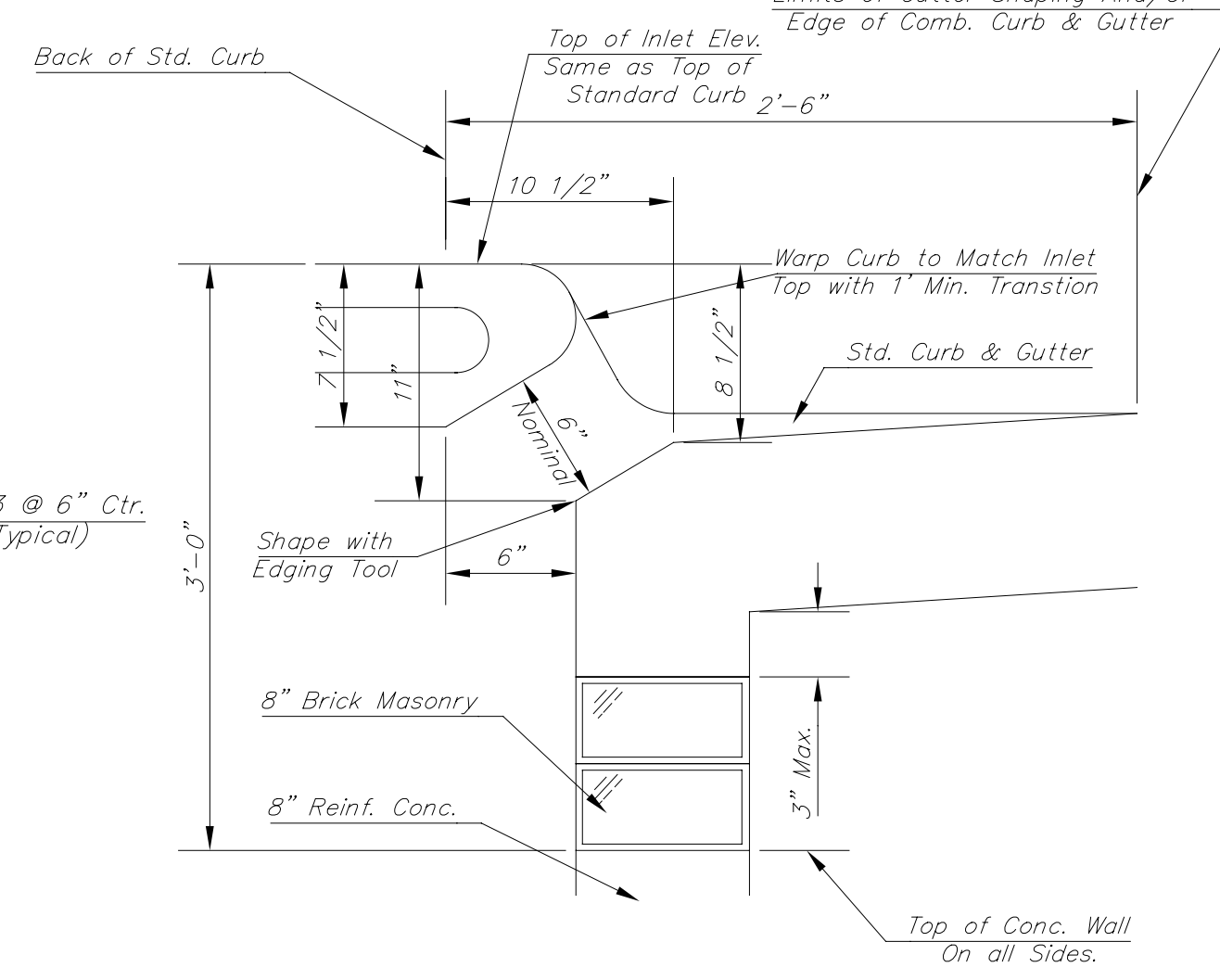
Concrete shall be C.O.W. standard paving mix. All exposed edges shall be finished with an edging tool. Reinforcing bars shall be field bent or cut to clear pipes and inlet rings. All bars are #4 bars @ 6" spacing and shall have a minimum clearance of 1 1/2" unless otherwise noted. Floors of inlet shall be shaped with 8 sack sand mix concrete to increase hydraulic efficiency such that the inlet will be self cleaning between all inlet and/or outlet pipe(s). The contractor will be required to construct 8" brick masonry walls between the inlet base and top on this inlet when H=7'-0" or less and W=6'-4" or less. When W is greater than 6'-4" and H is less than 7'-0", the outside inlet walls below the brick stack shall be reinforced concrete construction. Concrete tops to be installed on thin mortar cushion to insure full support along brick walls. Concrete tops may be cast in place or precast. The ends of all pipes installed in inlets shall be cut off flush with the inside face of the inlet wall. This detail is identical to the standard detail drawing except that the gutter transition length is increased from 2'-0" to 3'-6".



**NOTES:**

\*\* A center wall opening shall be provided by means of a section of reinforced concrete pipe. See Case I and Case II below.

\*\*\* Slope of inlet tops to match sidewalk of parking slopes within limits indicated



**CITY OF WICHITA PUBLIC WORKS ENGINEERING**

**STANDARD TYPE I CURB INLET**  
 OPENING = 6' x 10'-0"

CITY ENGINEER  
**JAMES L. ARMOUR, P.E., L.S.**

PROJECT NUMBER	OCA NUMBER	DATE
472-84872	991306	03/10

CITY ENGINEER'S OFFICE  
 CITY HALL - SEVENTH FLOOR  
 455 NORTH MAIN STREET  
 WICHITA, KANSAS 67202-1620  
 (316) 268-4501  
 (316) 268-4114 FAX

DESIGN DRAWN  
 EGS RAM

SHEET  
 26 OF 71

Plotted on: Friday, February 26, 2010 8:44  
 Kschoneder Plot Output: \\CBSM001\KCS038935-PS  
 Plot Scale: 20:499999 Pen Table: 5037\_half.pen  
 Design Filename: \\kco000\jobs\5037\Roadway\CD\Drawings\Inlet\ManholeDetails\type1\_double.dgn

\\kco000\jobs\5037\Roadway\CD\Drawings\Inlet\ManholeDetails\type1\_double.dgn