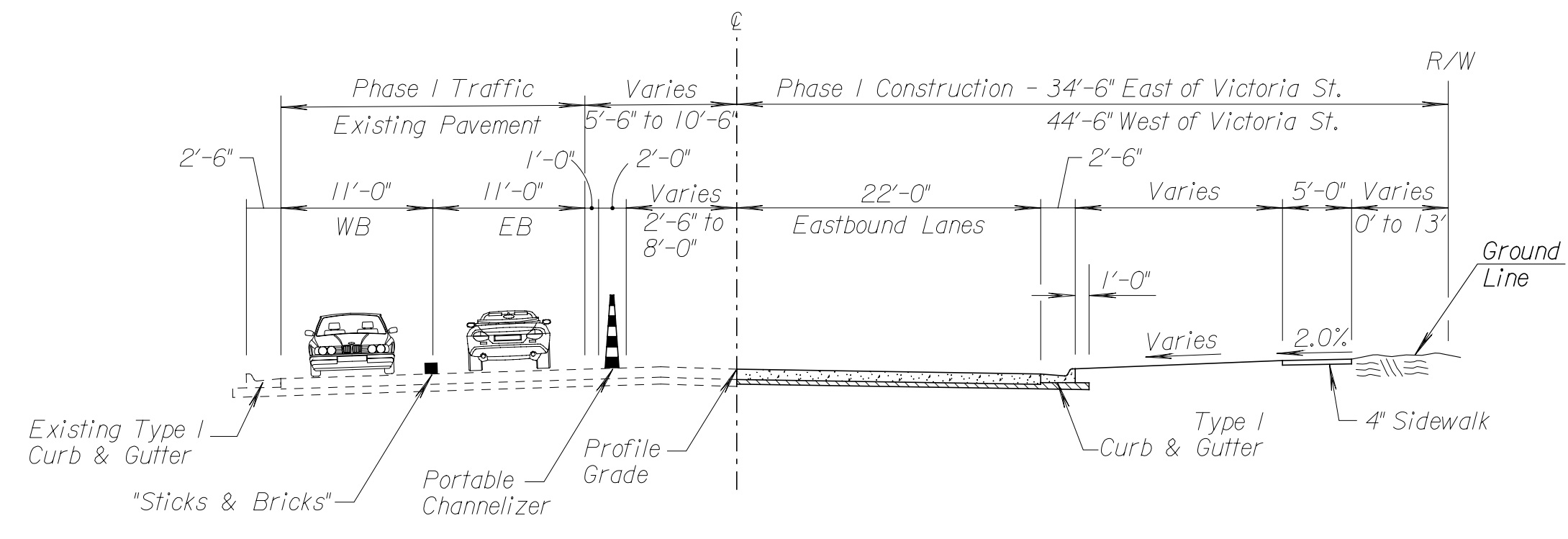
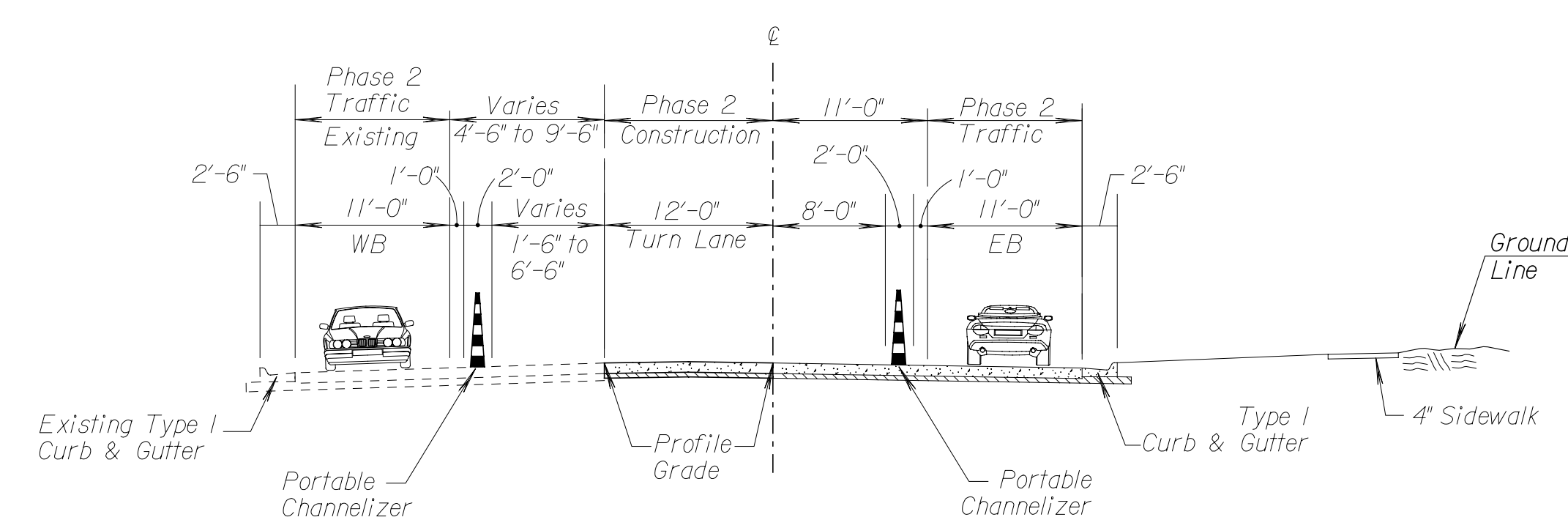


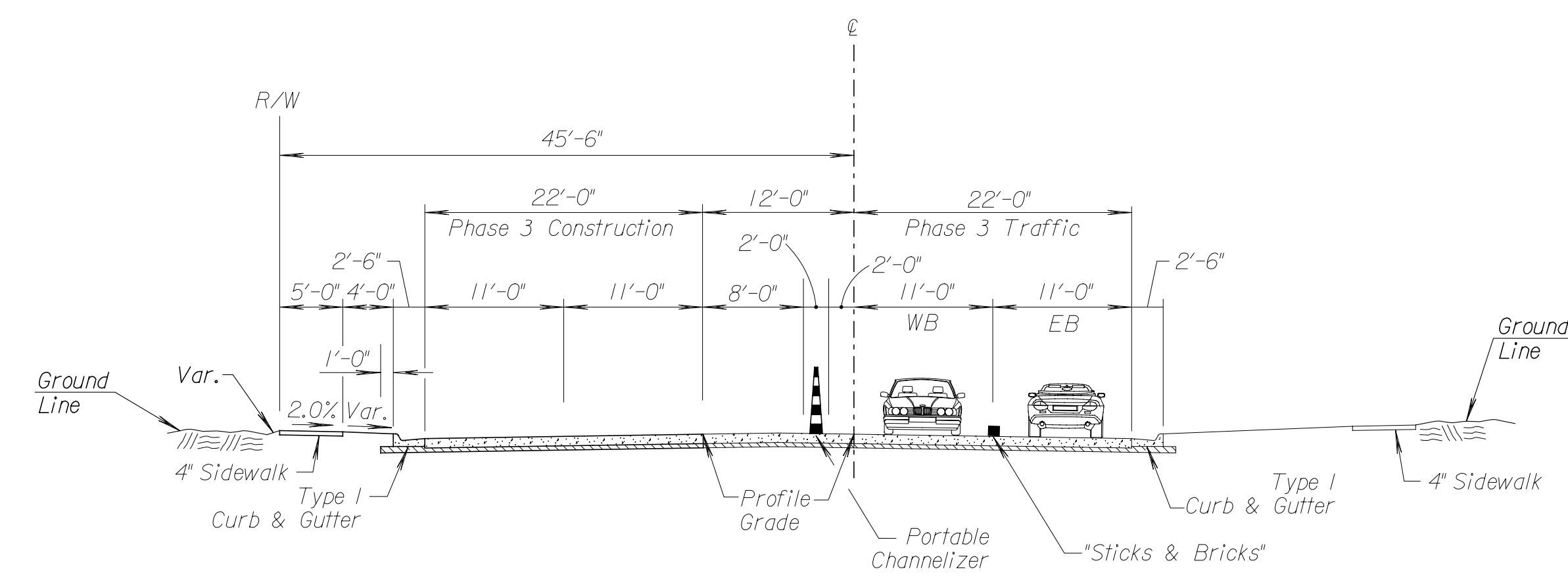
PROJECT NO.	YEAR	SHEET NO.	TOTAL SHEETS
KA-1006-04	2010	48	71



Phase 1 Construction Traffic (2 Lanes)
47th Street



Phase 2 Construction Traffic (2 Lanes)
47th Street



Phase 3 Construction Traffic (2 Lanes)
47th Street

Plotted on: Friday, February 26, 2010 9:01
 Kschoncker Plot Output: \\CBSM00\KCS08935-PS
 Plot Scale: 9.9999881 Pen Table: 5037_half.pen
 Design Filename: \\kcow00\jobs\5037\Roadway\CD\TrafficControl\47th_TC_Typ.dgn



TRAFFIC CONTROL TYPICAL SECTIONS		
CITY ENGINEER JAMES L. ARMOUR, P.E., L.S.		
PROJECT NUMBER 472-84872	OCA NUMBER 991306	DATE 03/10
CITY ENGINEER'S OFFICE CITY HALL - SEVENTH FLOOR 455 NORTH MAIN STREET WICHITA, KANSAS 67202-1620 (316) 268-4501 (316) 268-4114 FAX		DESIGN EGS
		DRAWN RAM
		SHEET 48 OF 71

\\kcow00\jobs\5037\Roadway\CD\TrafficControl\47th_TC_Typ.dgn