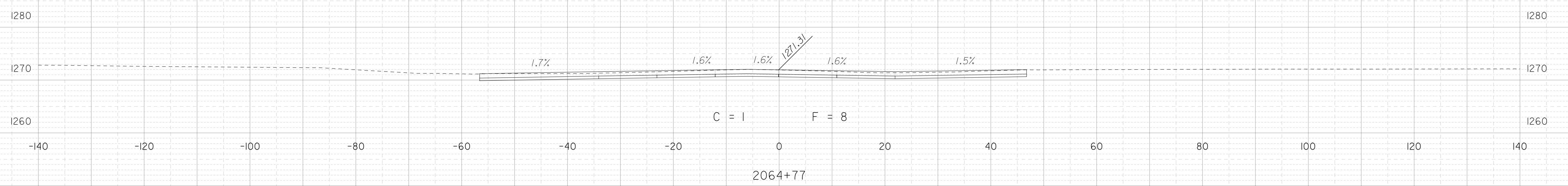
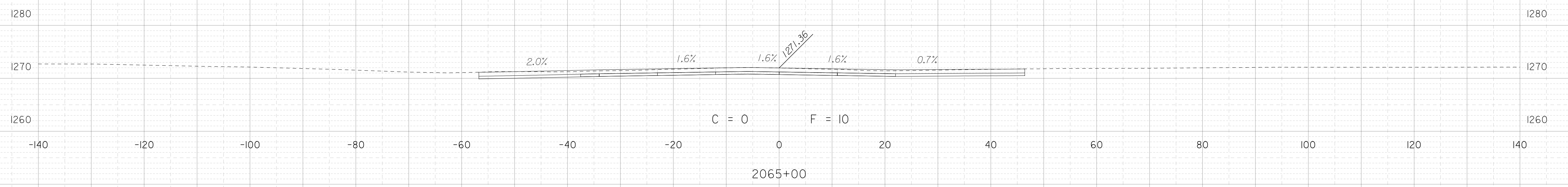
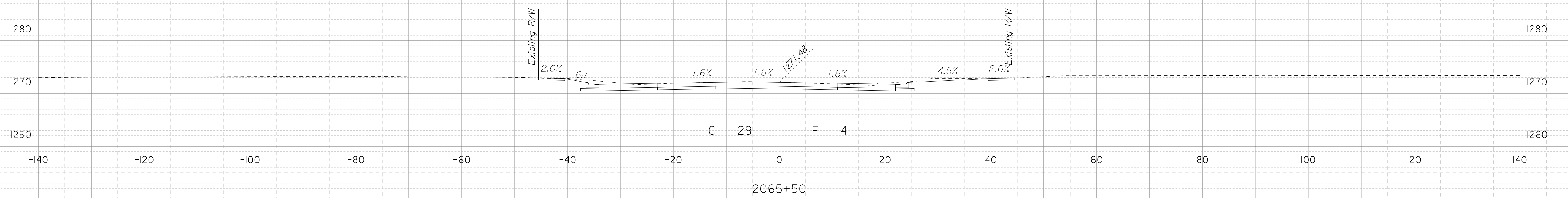
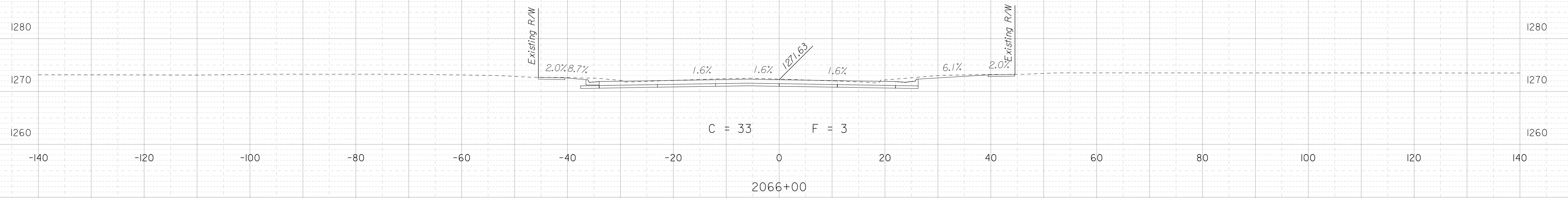


PROJECT NO.	YEAR	SHEET NO.	TOTAL SHEETS
KA-1006-04	2010	65	71



STA. 2064+77 TO STA. 2066+00

Plotted on: Friday, February 26, 2010 9:11 AM  
 Kschonaker Plot Output: \\CBSW001\CD\206477-PS  
 Plot Scale: 9.9999861 Pen Table: 5037\_half.dpen  
 Design Filename: \\kccow001\jobs\5037\Roadway\CD\Xsections\Xsections.dgn

