

WATER DISTRIBUTION SYSTEM
TO SERVE
SHEARMAN AND BEATTIE'S SUB.
LOTS 13 & 15, ON MEAD

PROJ. NO. 448-88522

INDEX NO. 730960

CITY OF WICHITA, KANSAS

M. E. LINDEBAK - CITY ENGINEER

GENERAL NOTES:

1. CONTRACTOR WILL BE REQUIRED TO PROVIDE A MINIMUM ADVANCE NOTICE OF TWENTY-FOUR (24) HOURS TO UTILITY COMPANIES PRIOR TO STARTING ANY EXCAVATION AS FOLLOWS:

KANSAS ONE-CALL 1-800-344-7233

THE CONTRACTOR MUST NOTIFY THE FOLLOWING IN CASE OF EMERGENCY:

CABLEVISION	262-4270 OR 263-2061
KPL GAS SERVICE COMPANY	263-7511
KANSAS GAS & ELECTRIC	264-1141
ARKLA GAS COMPANY	942-8350 OR 263-8161
CITY OF WICHITA WATER DEPT.	268-4908
CITY OF WICHITA SEWER MAINTENANCE	268-4071

2. ALL WATER MAINS AND APPURTENANCES SHALL BE INSTALLED IN ACCORDANCE WITH CITY OF WICHITA, KANSAS, STANDARD SPECIFICATIONS FOR WATER MAIN INSTALLATIONS NO. 14533.

3. THE WATER MAIN SHALL BE CONSTRUCTED ON THE ALIGNMENT SHOWN BY THE PLANS. THE COST FOR ANY NECESSARY TREE TRIMMING, CLEARING AND/OR GRUBBING SHALL BE INCLUDED IN THE PRICE BID FOR THE INSTALLED WATER MAIN PIPE.

TREES AND SHRUBS IN PUBLIC RIGHT-OF-WAY WHICH ARE IN DIRECT CONFLICT WITH PROPOSED NEW CONSTRUCTION SHALL BE REMOVED BY THE CONTRACTOR WITH THE ENGINEER'S APPROVAL, AND SHALL BE INCLUDED IN THE PRICE BID FOR THE INSTALLED WATER PIPE. TREES AND SHRUBS WHICH ARE NOT IN DIRECT CONFLICT WITH PROPOSED NEW CONSTRUCTION SHALL BE SAVED AND PROTECTED FROM DAMAGE.

4. OPENING AND CLOSING WATER VALVES SHALL BE DONE SLOWLY TO PREVENT DAMAGE TO THE WATER DISTRIBUTION SYSTEM FROM WATER HAMMER. ALL VALVES CLOSED BY THE CONTRACTOR MUST BE REOPENED AS NEW CONSTRUCTION PERMITS. PROJECT INSPECTOR MUST ASCERTAIN THAT ANY VALVE CLOSED BY THE CONTRACTOR IS REOPENED. CONTRACTOR WILL BE PERMITTED TO OPERATE WATER VALVES ONLY WHEN THE PROJECT INSPECTOR ASSIGNED TO THE PROJECT IS PRESENT.

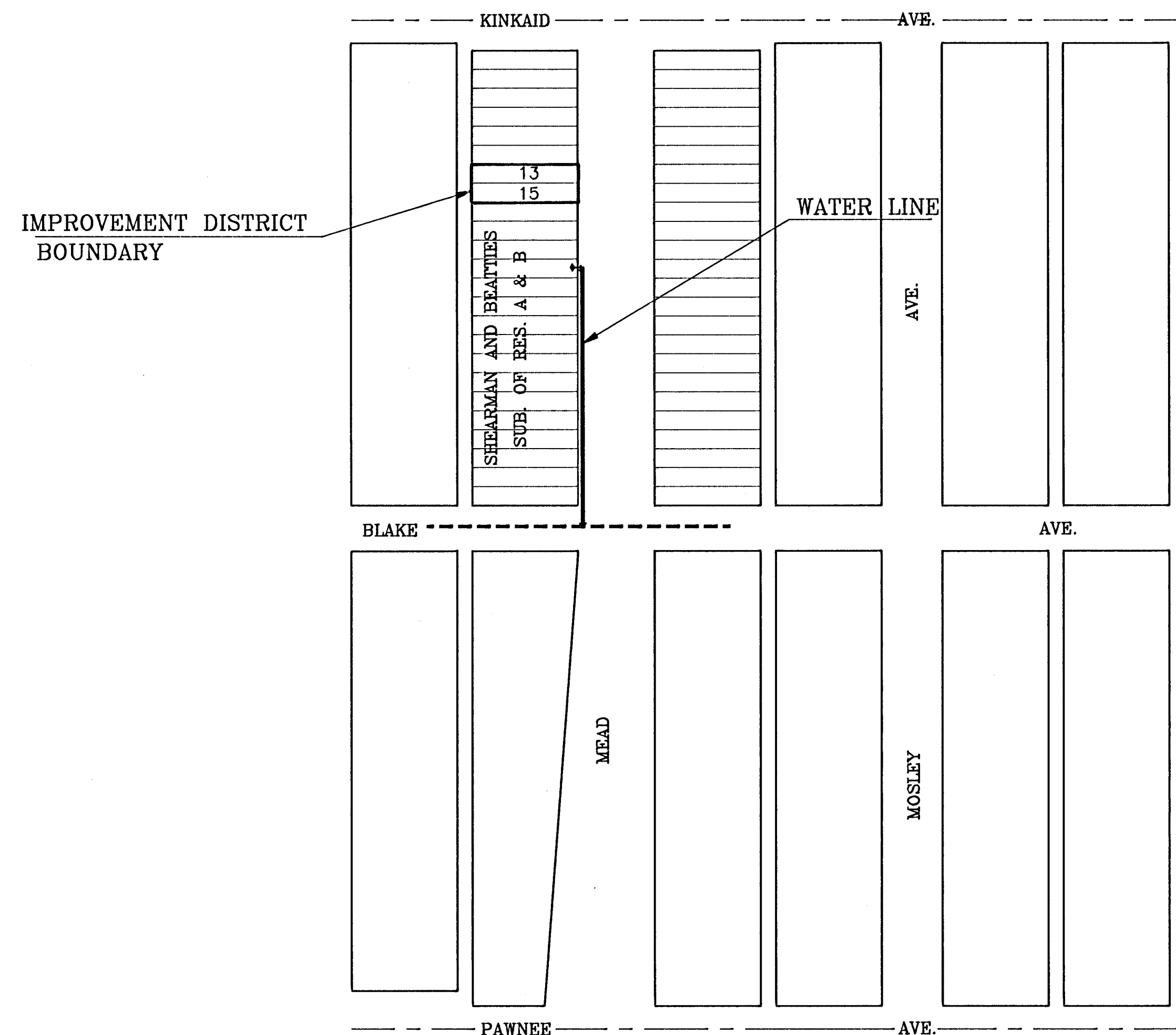
5. CONTRACTOR SHALL NOT START WORK ON THE PROJECT UNTIL THE PROJECT INSPECTOR IS ASSIGNED TO THE PROJECT AND IS PRESENT ON THE SITE. ANY WORK DONE WITHOUT INSPECTION WILL BE REQUIRED TO BE UNCOVERED FOR INSPECTION.

6. UNDERGROUND UTILITY SERVICE LINES AND OVERHEAD UTILITY POLE LINES ARE TO BE ADJUSTED AS NECESSARY BY OTHERS PRIOR TO CONSTRUCTION UNLESS THE PLANS SPECIFICALLY CALL FOR THEIR ADJUSTMENT BY THE CONTRACTOR. EXISTING UTILITIES AND THEIR LOCATION, AS SHOWN ON THE PLANS, REPRESENT THE BEST INFORMATION OBTAINABLE FOR DESIGN. LOCATION INFORMATION HAS BEEN OBTAINED FROM THE VARIOUS UTILITY COMPANIES AND IS EITHER FROM COMPANY RECORD DRAWINGS OR COMPANY PROVIDED FIELD LOCATIONS. THE CONTRACTOR WILL BE REQUIRED TO WORK AROUND EXISTING UTILITIES WITHIN THE RIGHT-OF-WAY WHICH DO NOT CONFLICT WITH PROPOSED CONSTRUCTION.

7. RUBBLE FROM THE REMOVAL OF MISCELLANEOUS STRUCTURES AND EXCESS EXCAVATION WHICH IS TO BE WASTED SHALL BE DISPOSED OF ON SITES TO BE PROVIDED BY THE CONTRACTOR. THESE SITES SHALL BE APPROVED BY THE ENGINEER AS TO SUITABILITY, APPEARANCE AND SITE LOCATION. LOCATIONS THAT, IN THE OPINION OF THE ENGINEER, WILL LEAVE AN UNSIGHTLY APPEARANCE WILL NOT BE APPROVED.

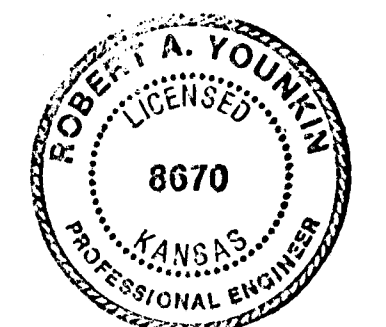
8. THE CONTRACTOR SHALL BE RESPONSIBLE FOR PRESERVING PROPERTY IRONS. THE CONTRACTOR WILL BE REQUIRED TO RE-ESTABLISH ANY PROPERTY IRONS WHICH ARE DAMAGED OR DESTROYED BY HIS CONSTRUCTION OPERATIONS. SUCH IRONS SHALL BE RE-ESTABLISHED BY A LICENSED LAND SURVEYOR IN ACCORDANCE WITH STATE LAWS.

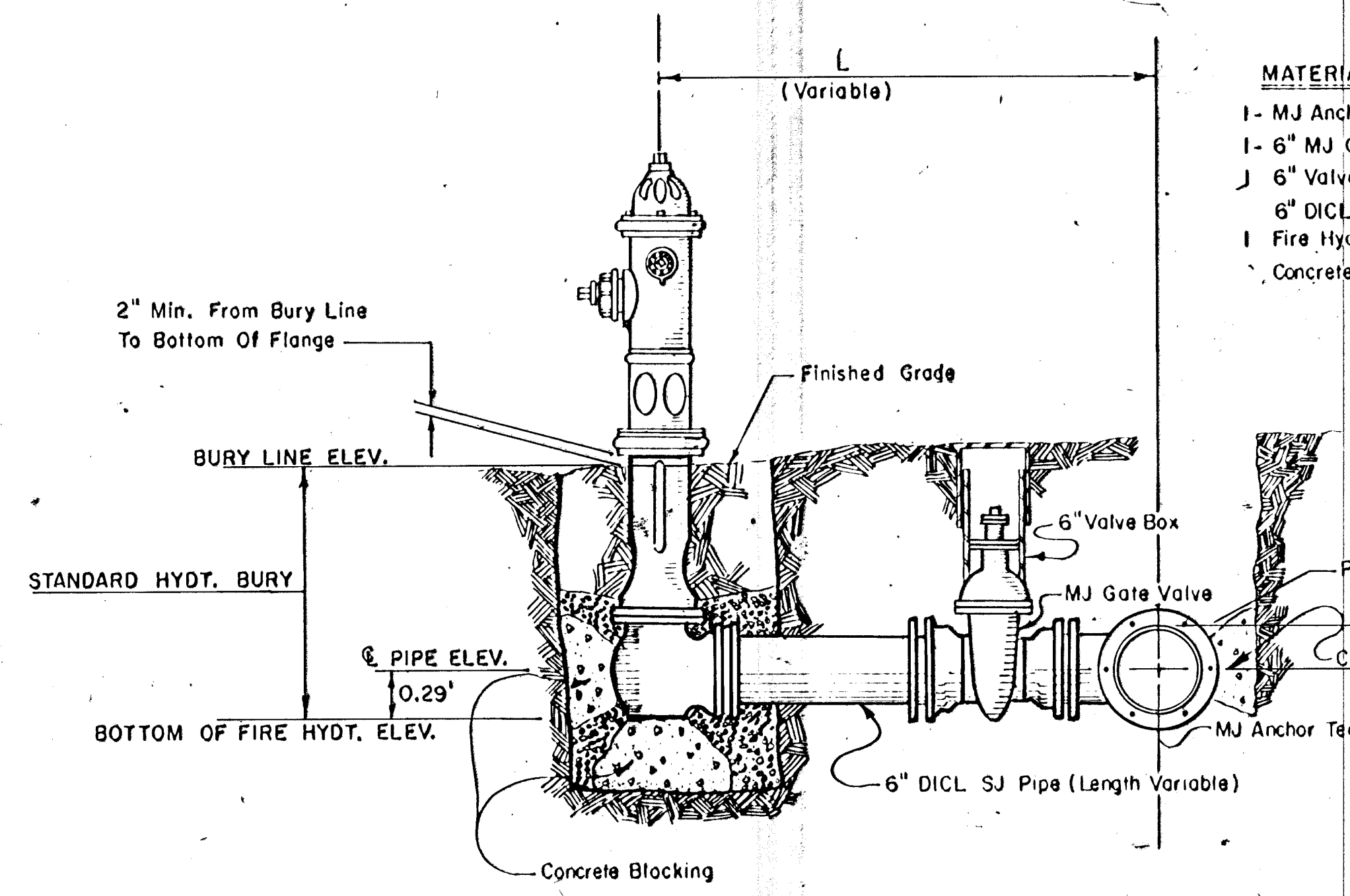
9. CONTRACTOR TO MAINTAIN TRAFFIC USING BARRICADES AND FLAGPERSONS WHILE WORKING WITHIN STREET RIGHT-OF-WAY.



INDEX OF SHEETS

- SHEET 1 - TITLE SHEET
- SHEET 2 - PLAN/PROFILE
- SHEET 3 - WATER DETAIL SHEET

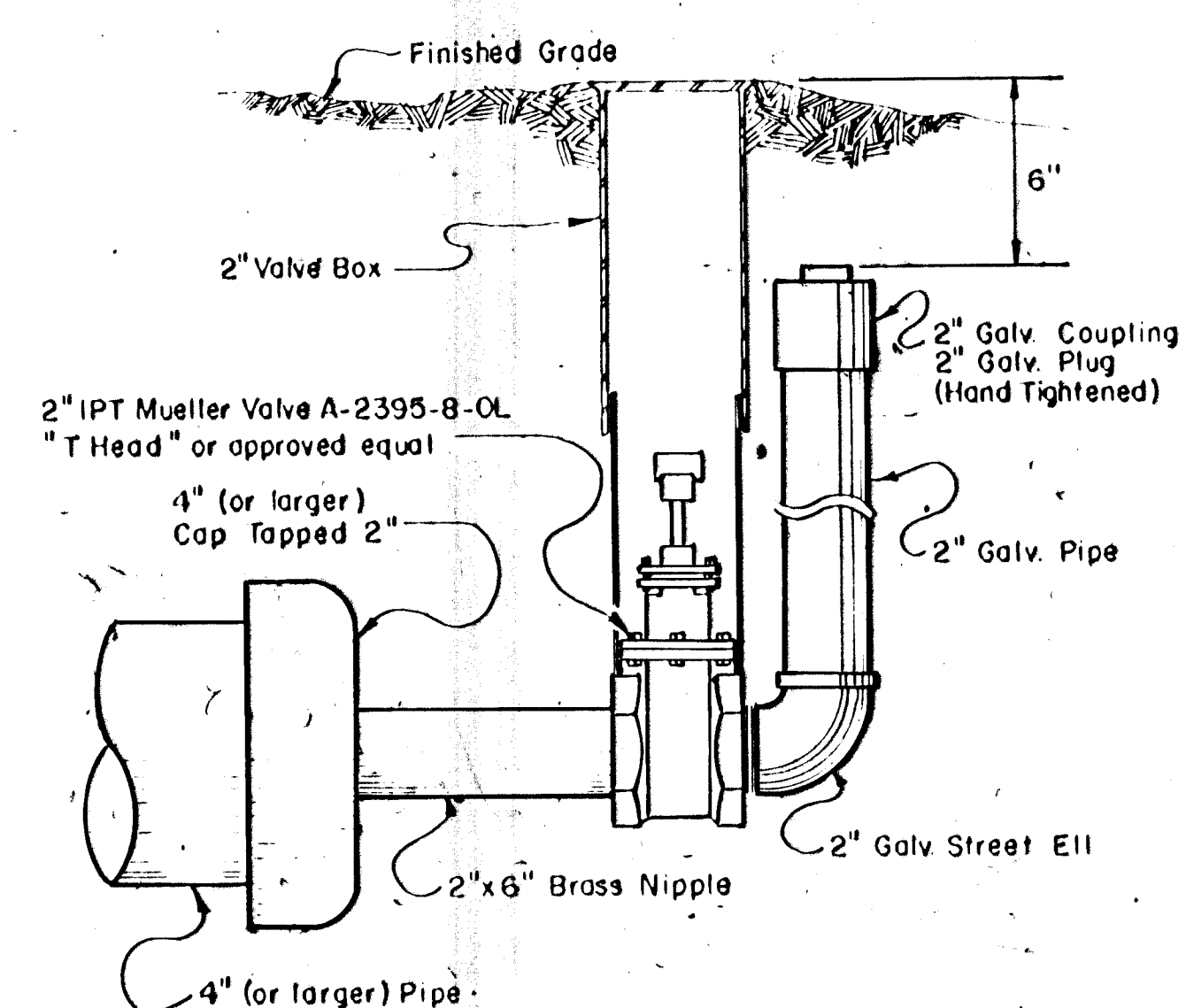




- MATERIALS LIST**
- 1- MJ Anchor Tee ("D" x 6")
 - 1- 6" MJ Gate Valve
 - 1- 6" Valve Box
 - 6" DICL SJ Pipe (Length Variable)
 - 1 Fire Hydrant
 - Concrete Blocking (As Needed)

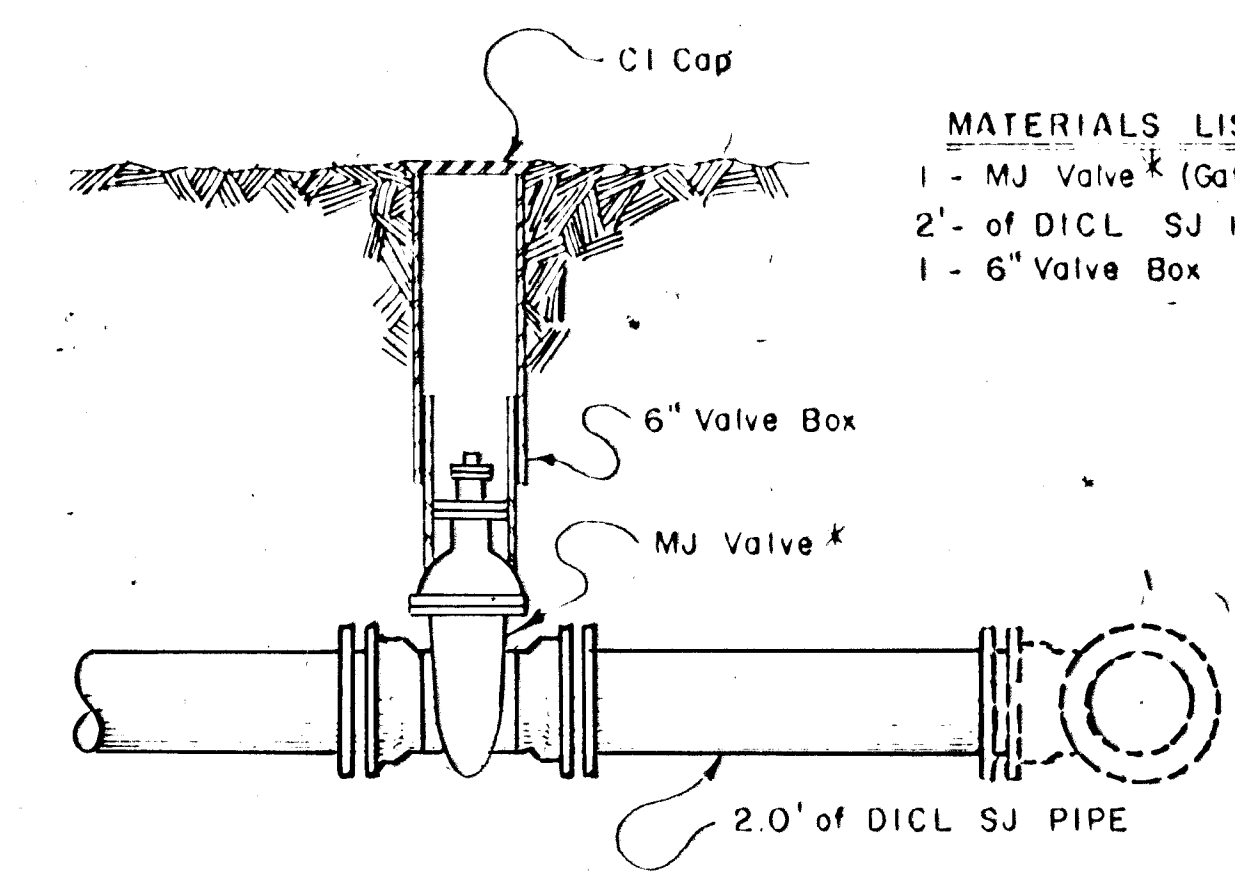
FIRE HYDRANT ASSEMBLY

FIRE HYDRANTS REQUIRED				
LINE NO.	STATION	BURY LINE ELEVATION	TOP OF PIPE ELEVATION	FIRE HYDRANT BURY REQUIRED
	3+64			4.5'



- MATERIALS LIST**
- 1- 2" Valve Box
 - 1- CIMJ Cap
 - 1- 2"x6" Brass Nipple
 - 1- 2" IPT Mueller Valve A-2395-B-OL "T Head" or approved equal
 - 1- 2" Galv Street Ell
 - 2- 2" Galv. Pipe (as required)
 - 1- 2" Galv. Coupling
 - 1- 2" Galv. Plug (Hand Tightened)

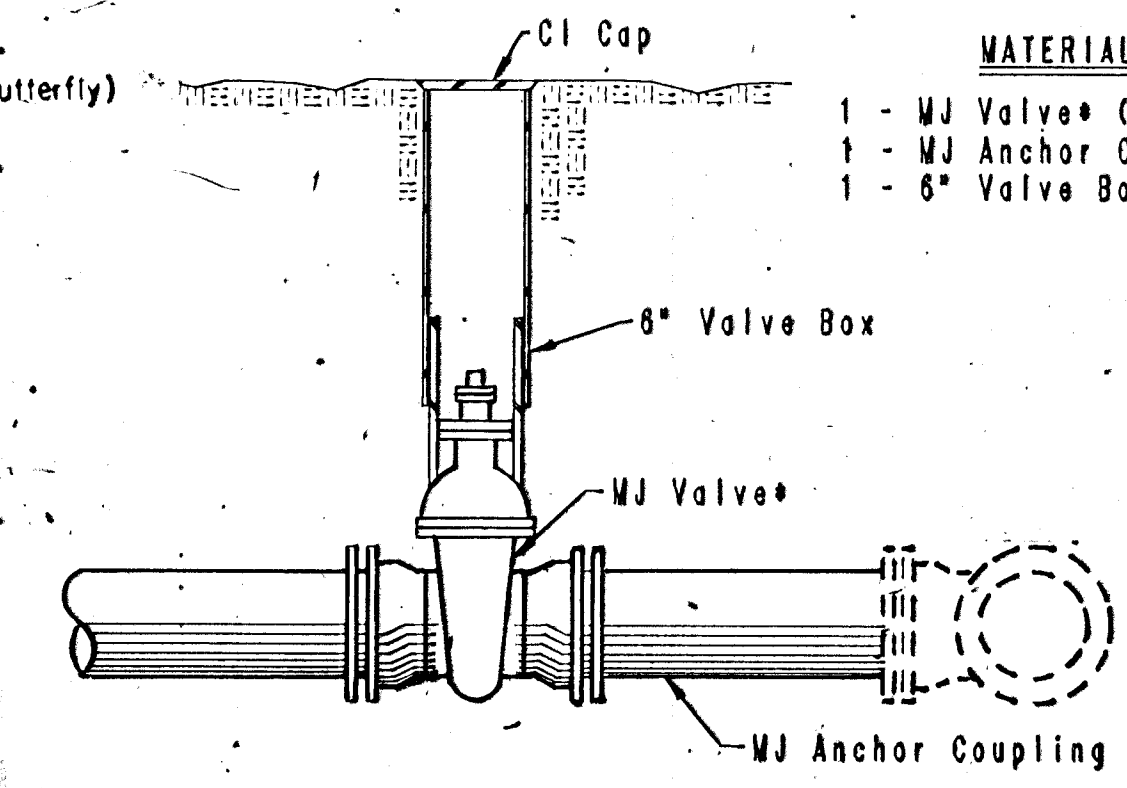
2" BLOWOFF ASSEMBLY



- MATERIALS LIST**
- 1- MJ Valve* (Gate or Butterfly)
 - 2'- of DICL SJ Pipe
 - 1- 6" Valve Box

VALVE ASSEMBLY

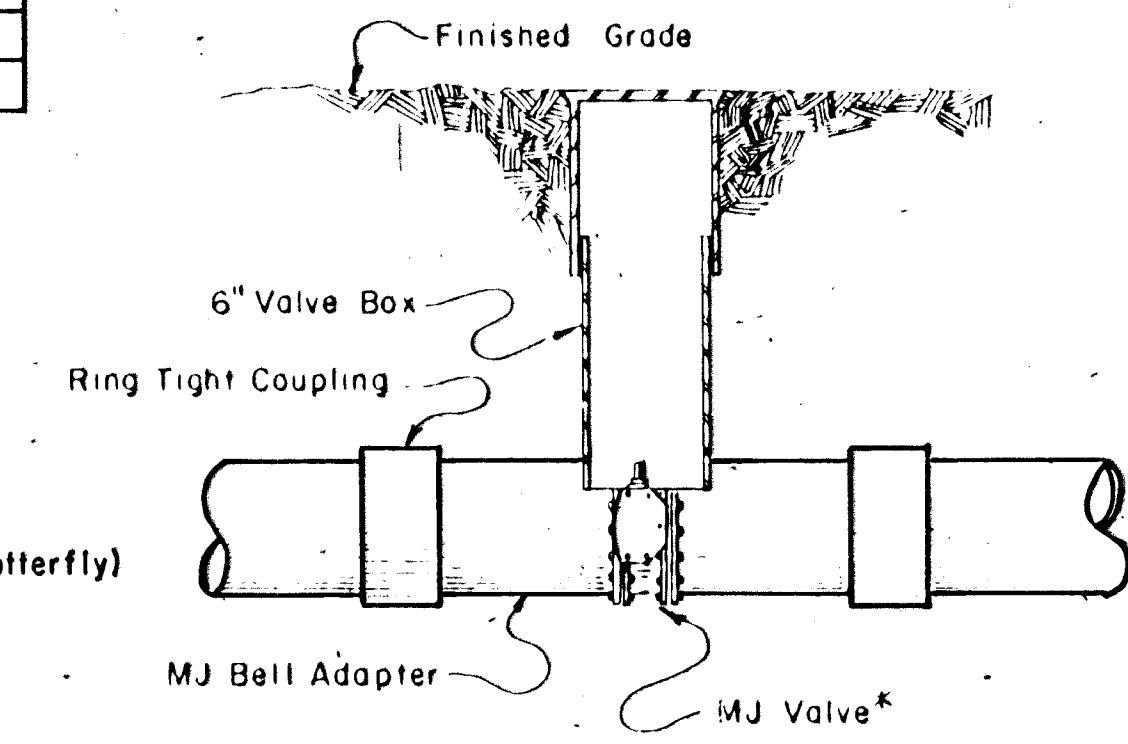
*See plans for the type of valve to be used



- MATERIALS LIST**
- 1- MJ Valve* (Gate or Butterfly)
 - 1- MJ Anchor Coupling (12" or smaller)
 - 1- 8" Valve Box

ANCHORED VALVE ASSEMBLY

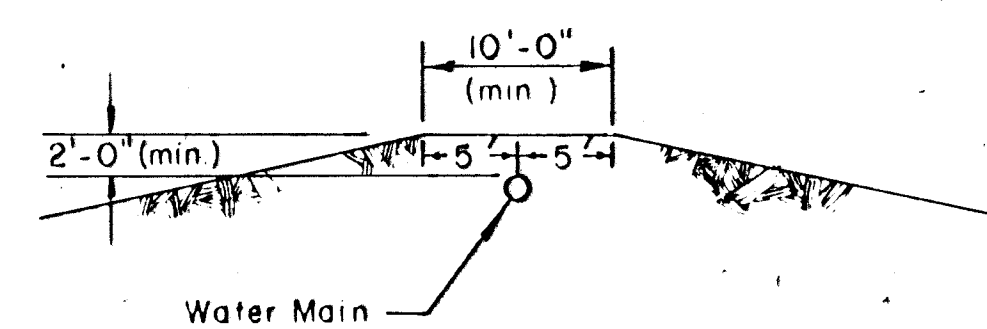
*See plans for type of valve to be used.



- MATERIALS LIST**
- 1- MJ Valve* (Gate or Butterfly)
 - 1- 6" Valve Box
 - 2- Ring Tight Couplings
 - 2- MJ Bell Adaptors

LINE VALVE ASSEMBLY

*See plans for the type of valve to be used



PROTECTIVE FILL DETAIL

MINIMUM PROTECTIVE FILL SHALL BE PROVIDED IN ALL INSTANCES WHERE COVER OVER THE PROPOSED WATER LINE IS LESS THAN TWO (2) FEET. (COST SUBSIDIARY TO PIPE INSTALLATION.)

Revised 2-17-1988

STANDARD WATER ASSEMBLY DETAILS

CITY OF WICHITA, KANSAS

JANUARY, 1987

3
3