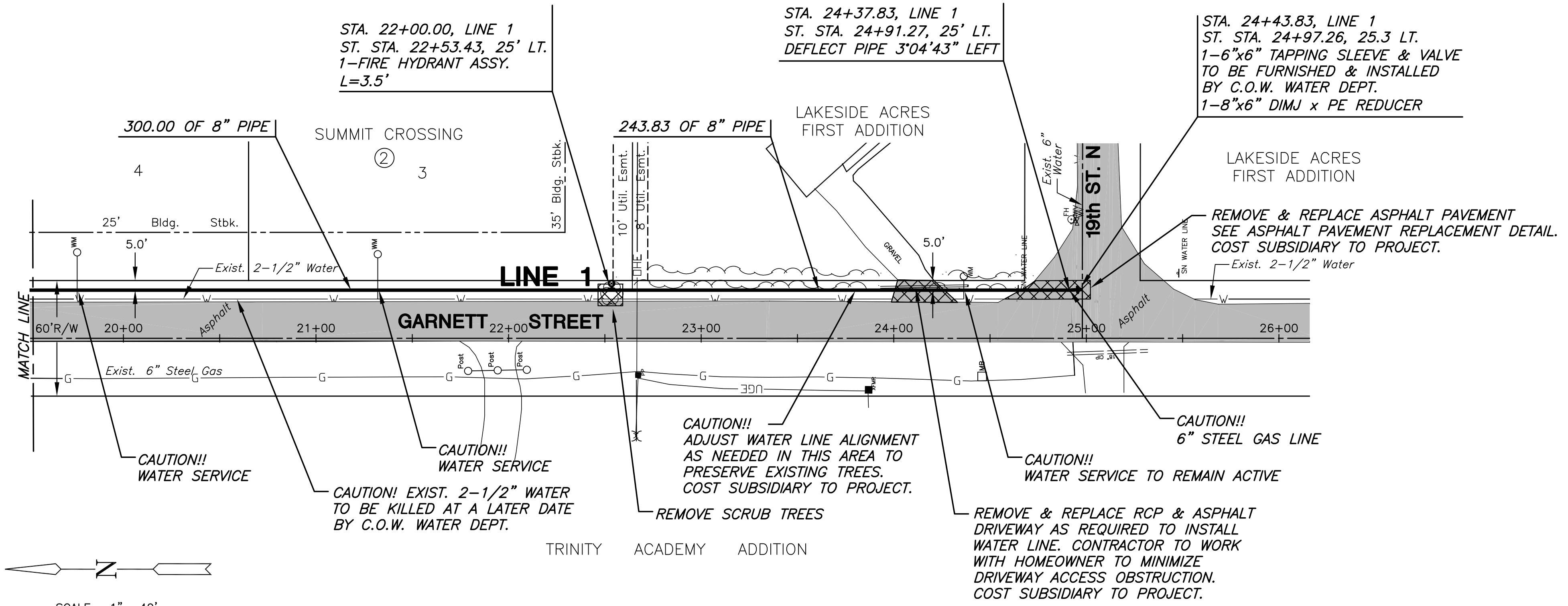
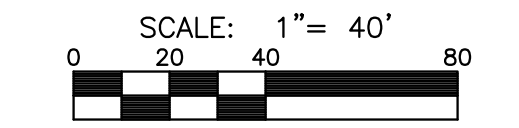


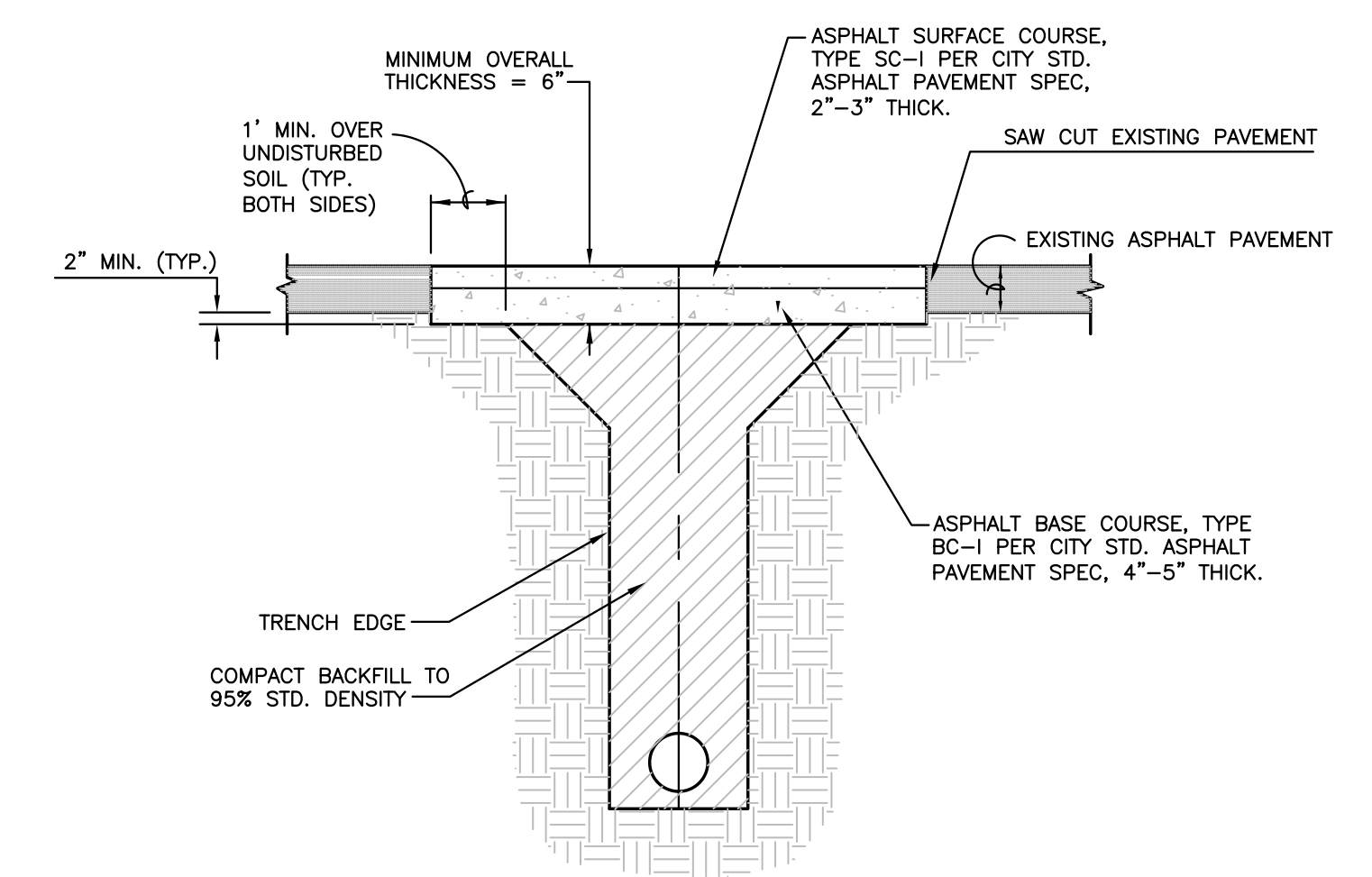
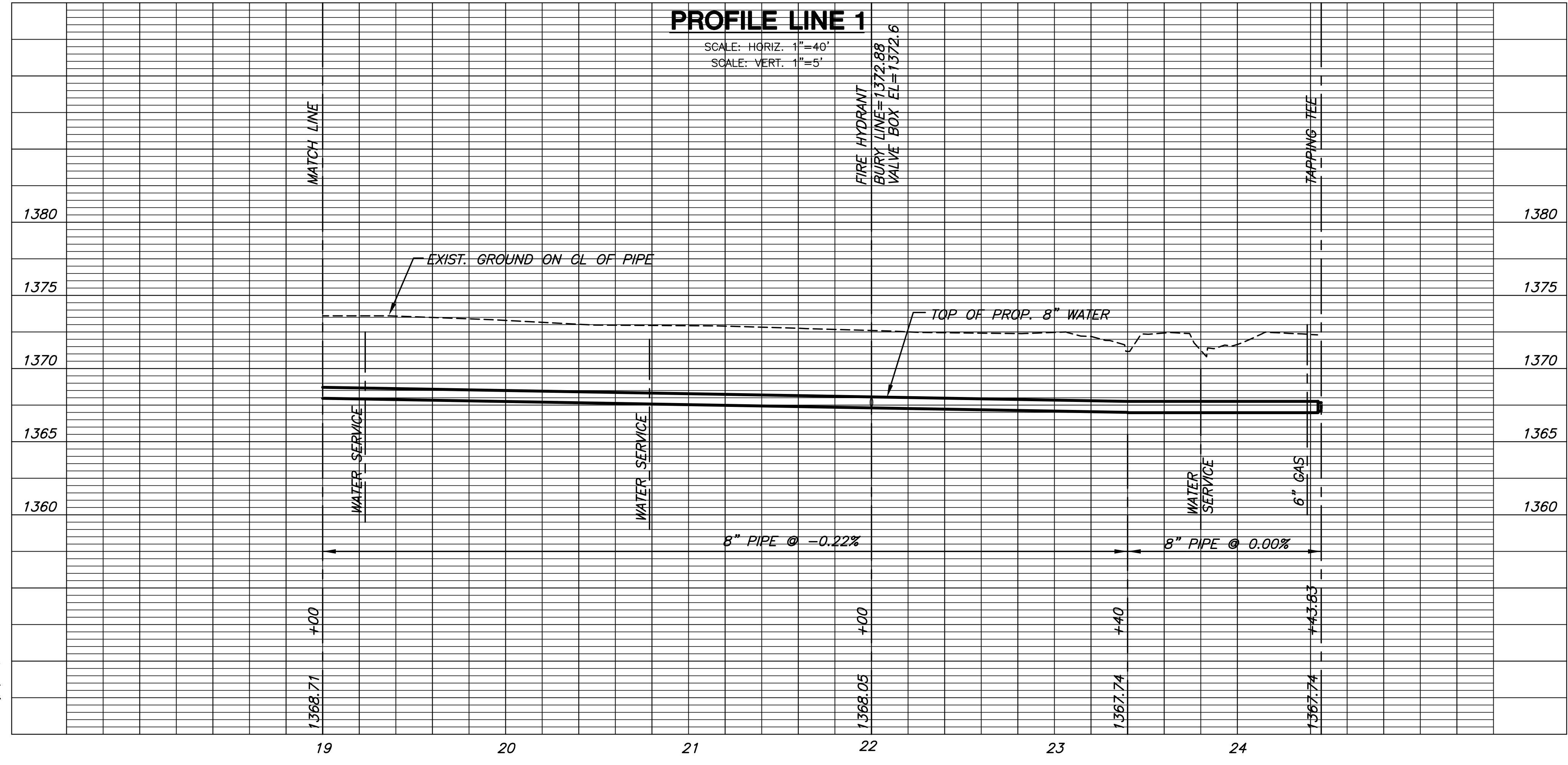
WATER DISTRIBUTION PLANS
SUMMIT CROSSING ADDITION



CONTRACTOR TO VERIFY LOCATION AND DEPTH OF EXIST. 6" & 2-1/2" WATER LINES PRIOR TO CONSTRUCTION.



PLAN LINE 1



ASPHALT PAVEMENT REPLACEMENT DETAIL

LINE 1
SHEET TITLE
448-90423
PROJECT NUMBER

DESIGN BY **DFL**
DRAWN BY **KKL**
CHECKED BY **GJA**

ISSUED **March 2010**
REVISED

SHEET NO.
4 of 12