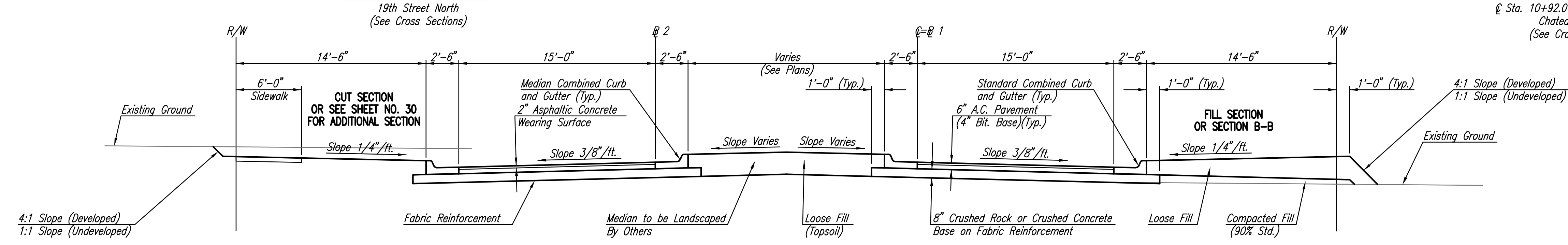
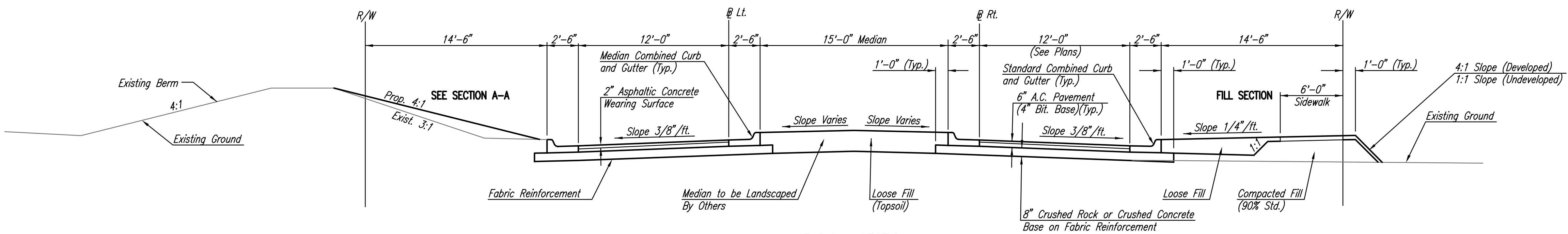


**TYPICAL SECTION A-A
ALONG EXISTING BERM**

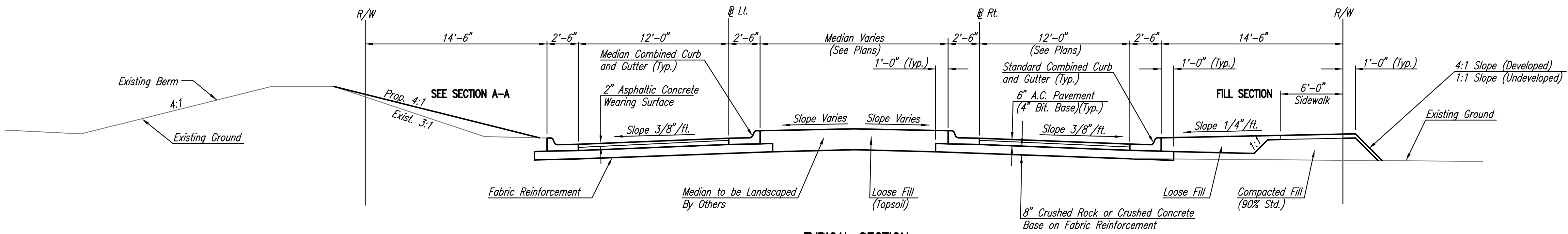
**TYPICAL SECTION B-B
ALONG PROPOSED BERM**



TYPICAL SECTION
@ Sta. 12+33.58 to Sta. 17+40.40
Chateau Parkway



TYPICAL SECTION
@ Lt. Sta. 32+18.05 to @ Lt. Sta. 33+25.33
19th Street North



TYPICAL SECTION
@ Lt. Sta. 33+25.33 to @ Lt. Sta. 36+20.38
19th Street North

GENERAL NOTES

FABRIC BASE REINFORCEMENT SHALL BE B X 1100 GEOGRID AS MANUFACTURED BY TENSAR CORPORATION OR APPROVED EQUAL. FABRIC BASE REINFORCEMENT SHALL BE INSTALLED IN ACCORDANCE WITH MANUFACTURER'S RECOMMENDATIONS.

ROCK BASE IS TO BE COMPACTED AND SMOOTHED WITH A STEEL FACED ROLLER PRIOR TO PLACEMENT OF ASPHALT. TACK COAT WILL NOT BE APPLIED TO ROCK BASE.

A TACK COAT OF EMULSIFIED ASPHALT (SC-1H OR CSS-1H) SHALL BE APPLIED AT AN APPROXIMATE RATE OF 0.05 GALLONS PER SQUARE YARD BETWEEN EACH LIFT OF ASPHALTIC MATERIAL.

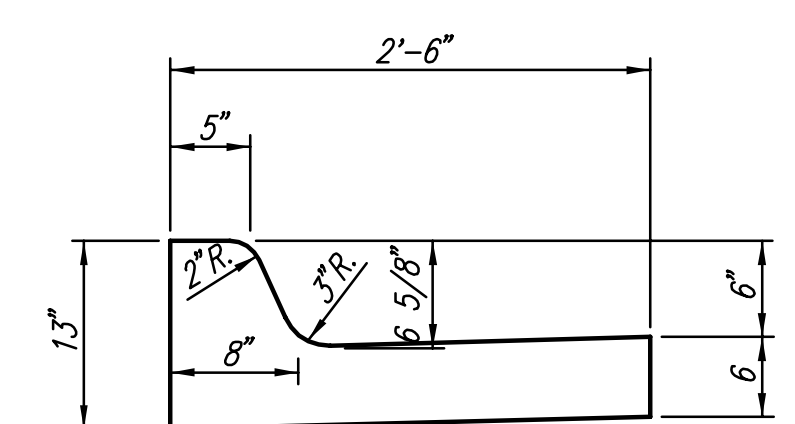
BITUMINOUS BASE AND ASPHALTIC CONCRETE WEARING SURFACE SHALL BE PLACED WITH A LAYDOWN MACHINE HAVING AUTOMATIC CONTROLS FOR LINE AND GRADE.

CONSTRUCTION JOINTS IN EACH LIFT SHALL BE STAGGERED A MINIMUM DISTANCE OF ONE (1) FOOT FROM JOINTS IN PRECEDING LIFTS AND PLACED SO THAT A JOINT WILL BE CONSTRUCTED ON THE CENTERLINE OF THE TOP LIFT.

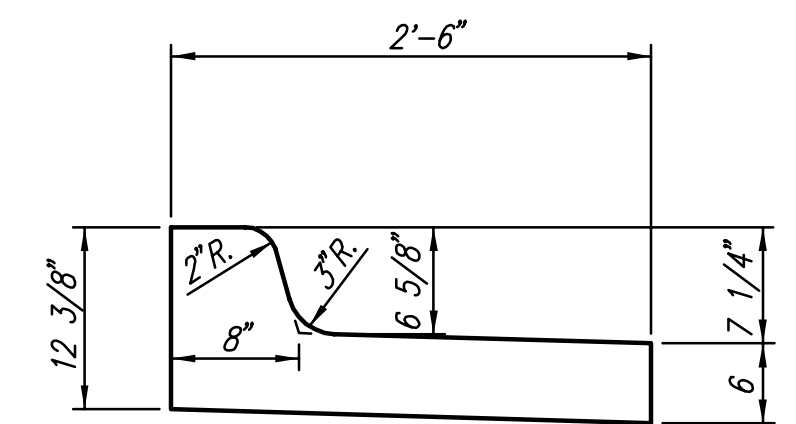
THE ASPHALTIC CONCRETE PAVEMENT BETWEEN THE COMBINED CURB AND GUTTER SHALL BE PAID AS SQUARE YARDS OF 6" ASPHALTIC CONCRETE (4" BITUMINOUS BASE).

CRUSHED ROCK GRADATION REQUIREMENTS	
PERCENT OF AGGREGATE RETAINED	
2-1/2"	0
3/4"	20-60
#4	50-80
#40	80-94
#200	90-98

ROCK QUALITY SHALL CONFORM TO THE REQUIREMENTS SPECIFIED BY THE KDOT 1990 EDITION STANDARD SPECIFICATION SUBSECTION 1102 FOR DURABILITY CLASS I

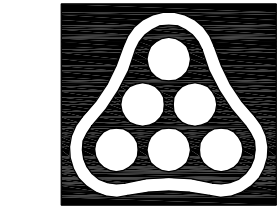


STD. COMBINED CURB & GUTTER
(6 5/8")



MEDIAN COMBINED CURB & GUTTER

Scaled 11-06-2006 11:29:20 AM by RFL
 Plot Scale 1:5 11-07-2006 11:54:10 AM by RFL
 J:\SENTOUT\2005\0231\003\2006-11-07 to City\DWG\05-TYP 20 BK-BK PWT



No.	Revision	By	Date
OAK CREEK 2ND - PHASE 2			
TYPICAL PAVEMENT SECTIONS			
JAMES L. ARMOUR, P.E. - CITY ENGINEER CITY OF WICHITA PROJECT NO. 472-84449 Professional Engineering Consultants, P.A. 303 S. TOPKA • WICHITA, KANSAS 67202 316-262-2691 • FAX 316-262-3003			
Designed by	BDB, BMM	Job No.	35-05731-003
Drawn by	BJS, TAT	Date	February 2006
			Sheet 5 of 84