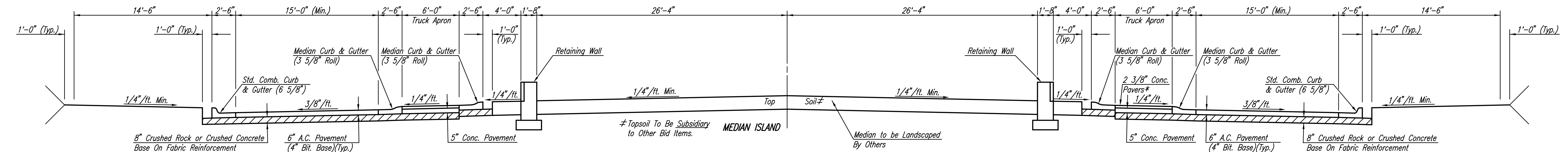
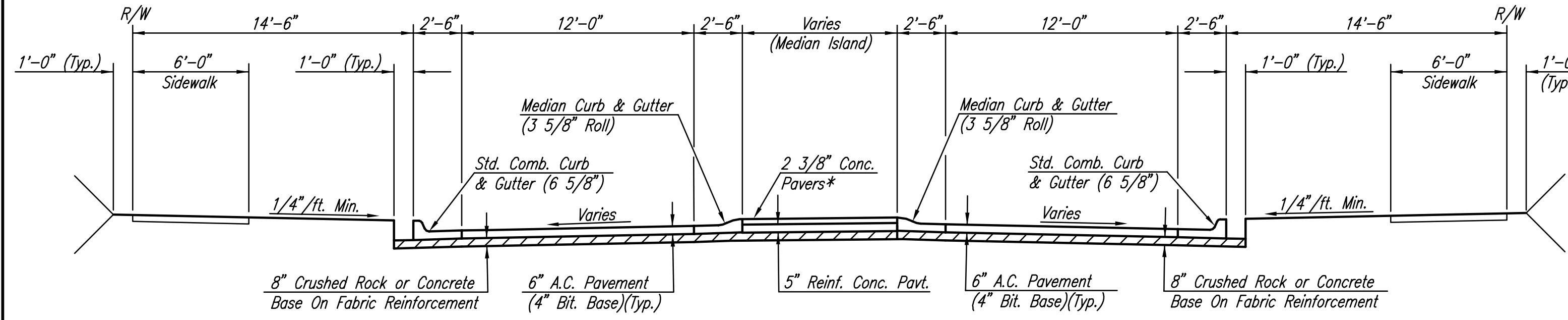


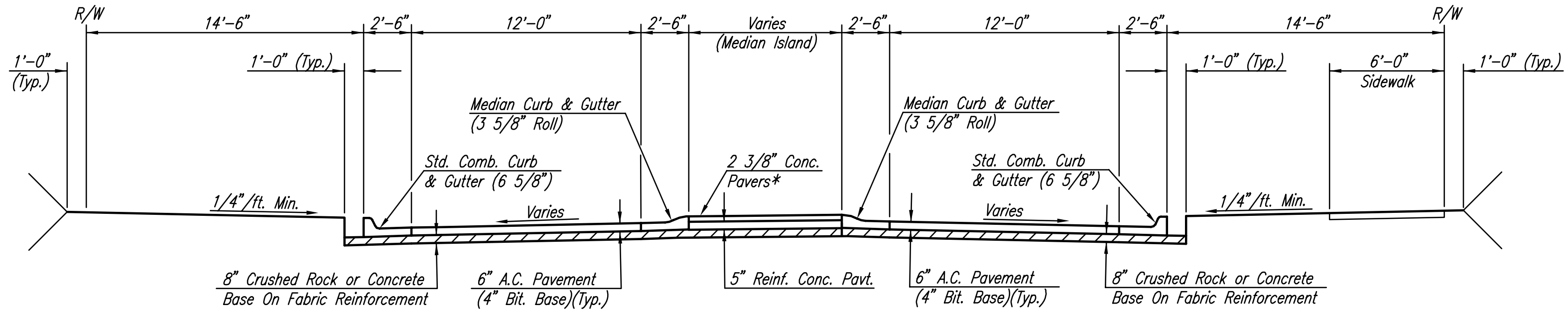
SECTION A-A  
STA. 10+00



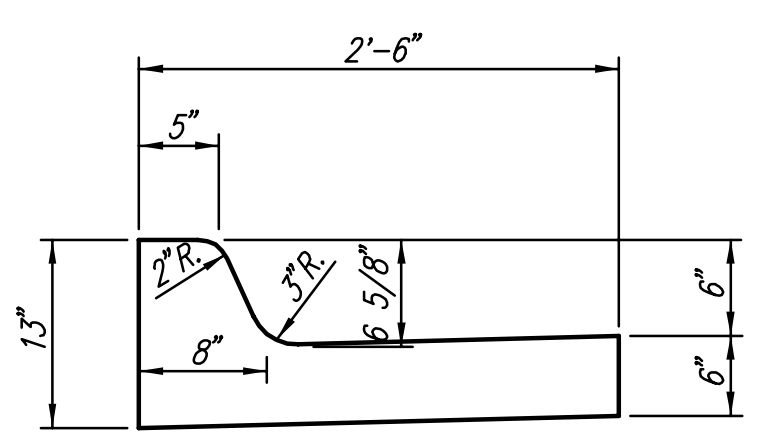
SECTION D-D  
STA. 19+98.27



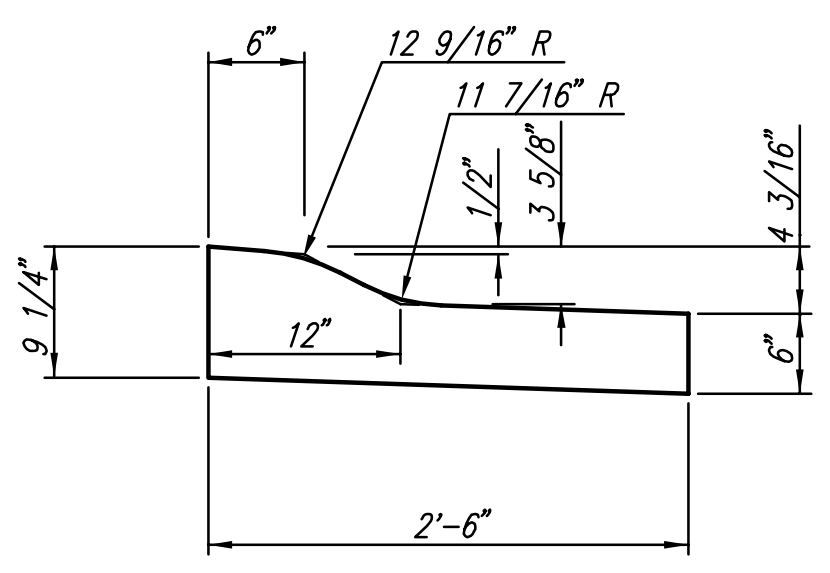
SECTION B-B



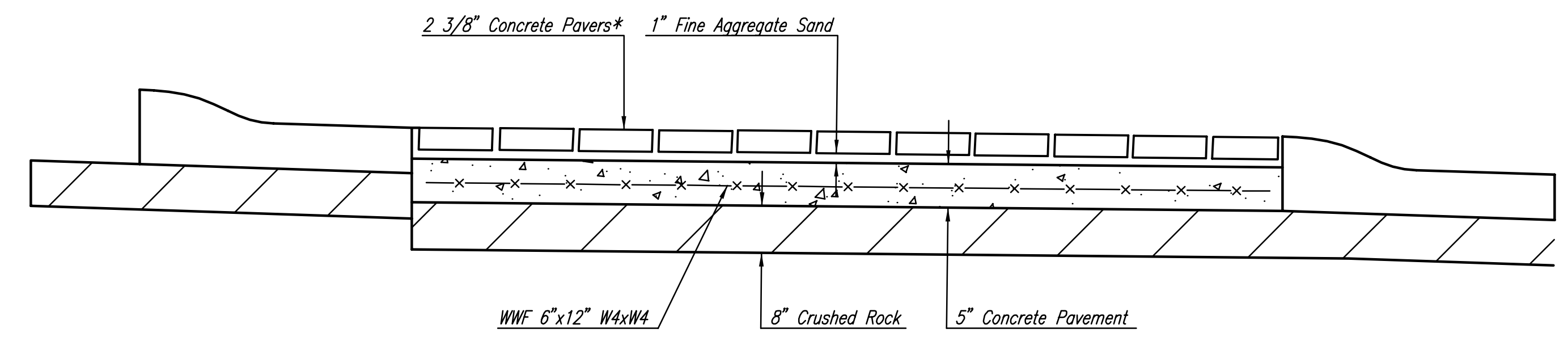
SECTION C-C



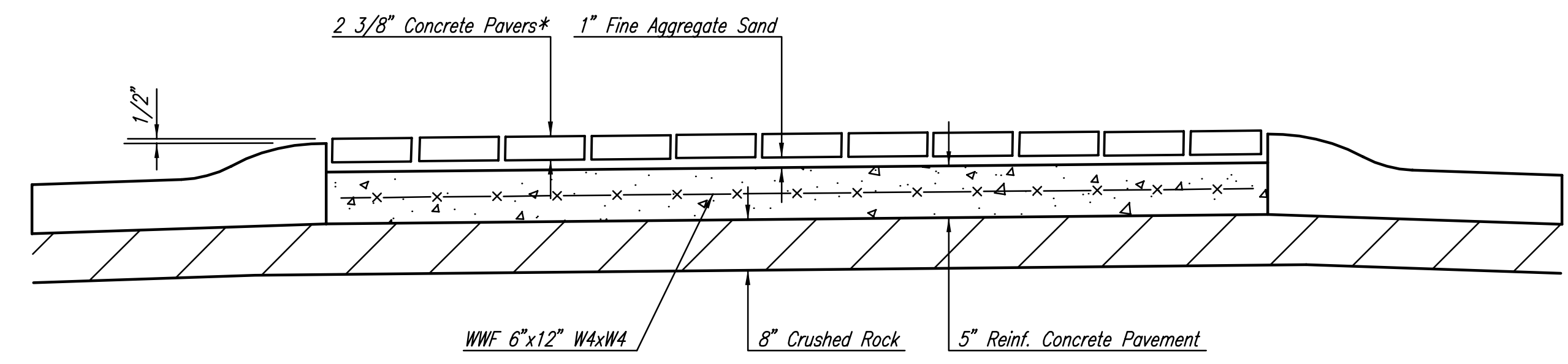
STD. COMBINED CURB & GUTTER  
(6 5/8")



MEDIAN CURB & GUTTER  
(3 5/8" ROLL)



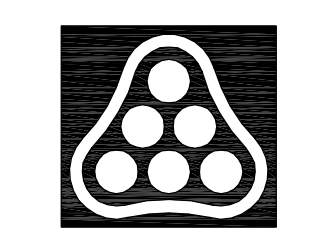
SECTION THRU 6'-0" TRUCK APRON



SECTION THRU MEDIAN ISLAND

\* Note: See Sheet No. 16 for Concrete Paver Information.

Scaled 11-07-2006 5:34:30 AM by BJS  
 Plot Scale 1:5 11-07-2006 12:00:48 PM by BJS  
 J:\SENTOUT\2005\05231\003\2006-11-07 to City DMV\23-ROUNDABOUT.TYP SEC



No.	Revision	By	Date
OAK CREEK 2ND - PHASE 2			
<b>ROUNDABOUT TYPICAL SECTIONS</b>			
JAMES L. ARMOUR, P.E. - CITY ENGINEER CITY OF WICHITA PROJECT NO. 472-84449 <b>Professional Engineering Consultants, P.A.</b> 303 S. TOPEKA • WICHITA, KANSAS 67202 316-262-2691 • FAX 316-262-3003			
Designed by	BDB, BMM	Job No.	35-05731-003
Drawn by	BJS, TAT	Date	February 2006
			Sheet 23 of 84