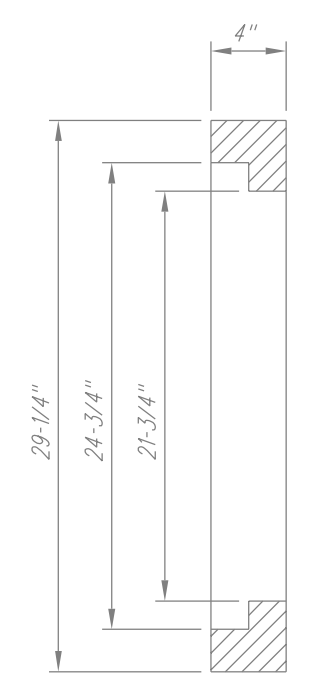


DEETER #2433 GRATE

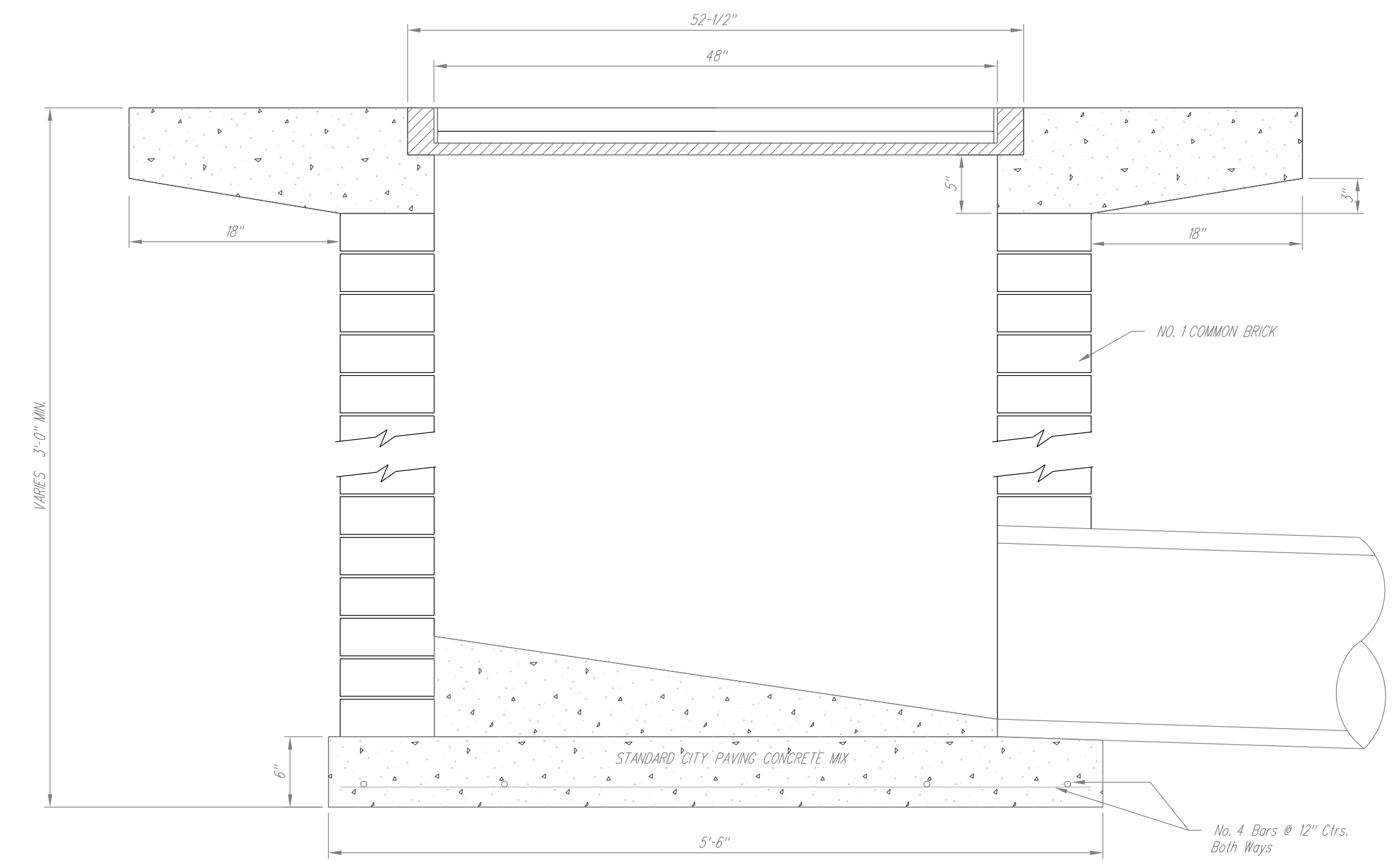
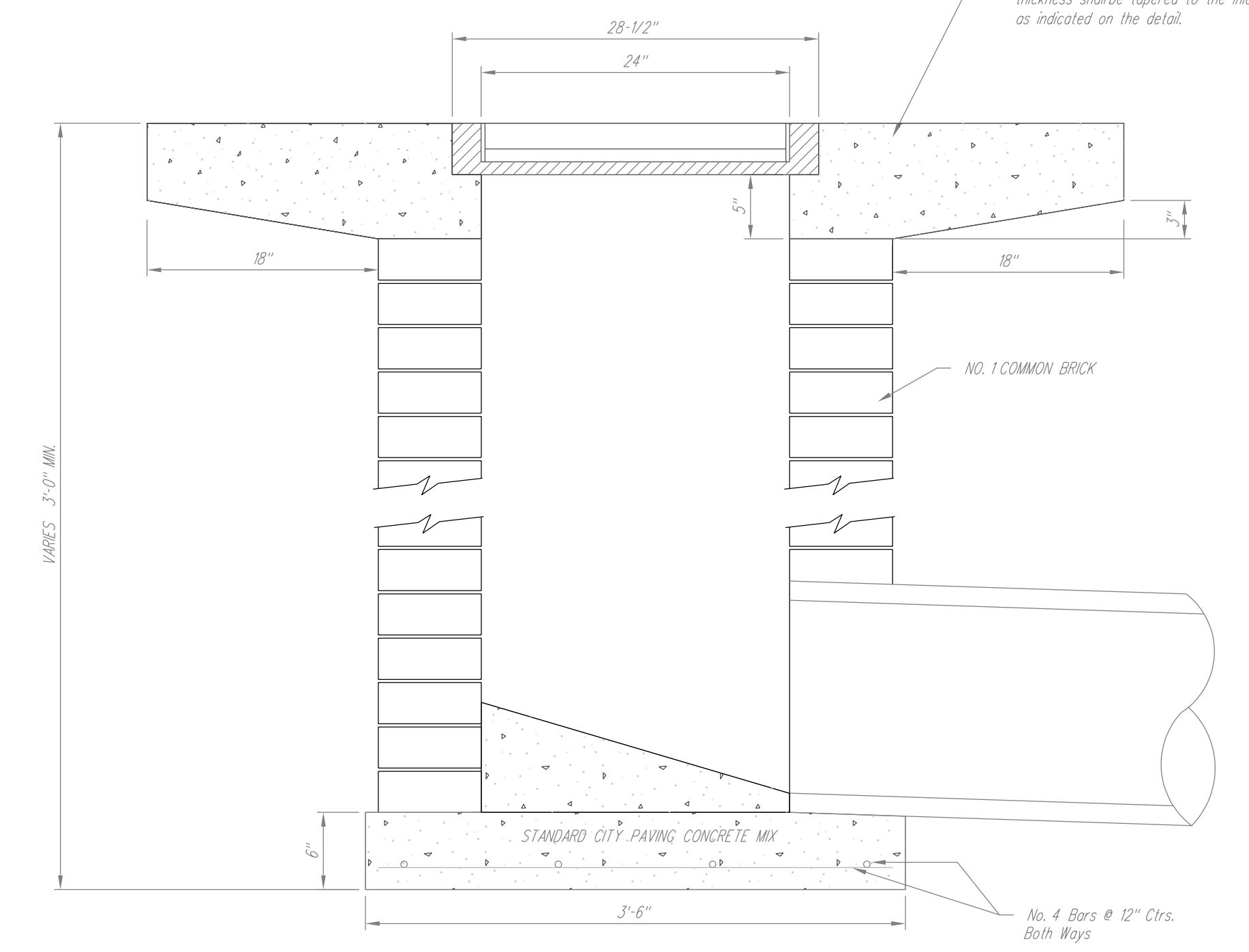
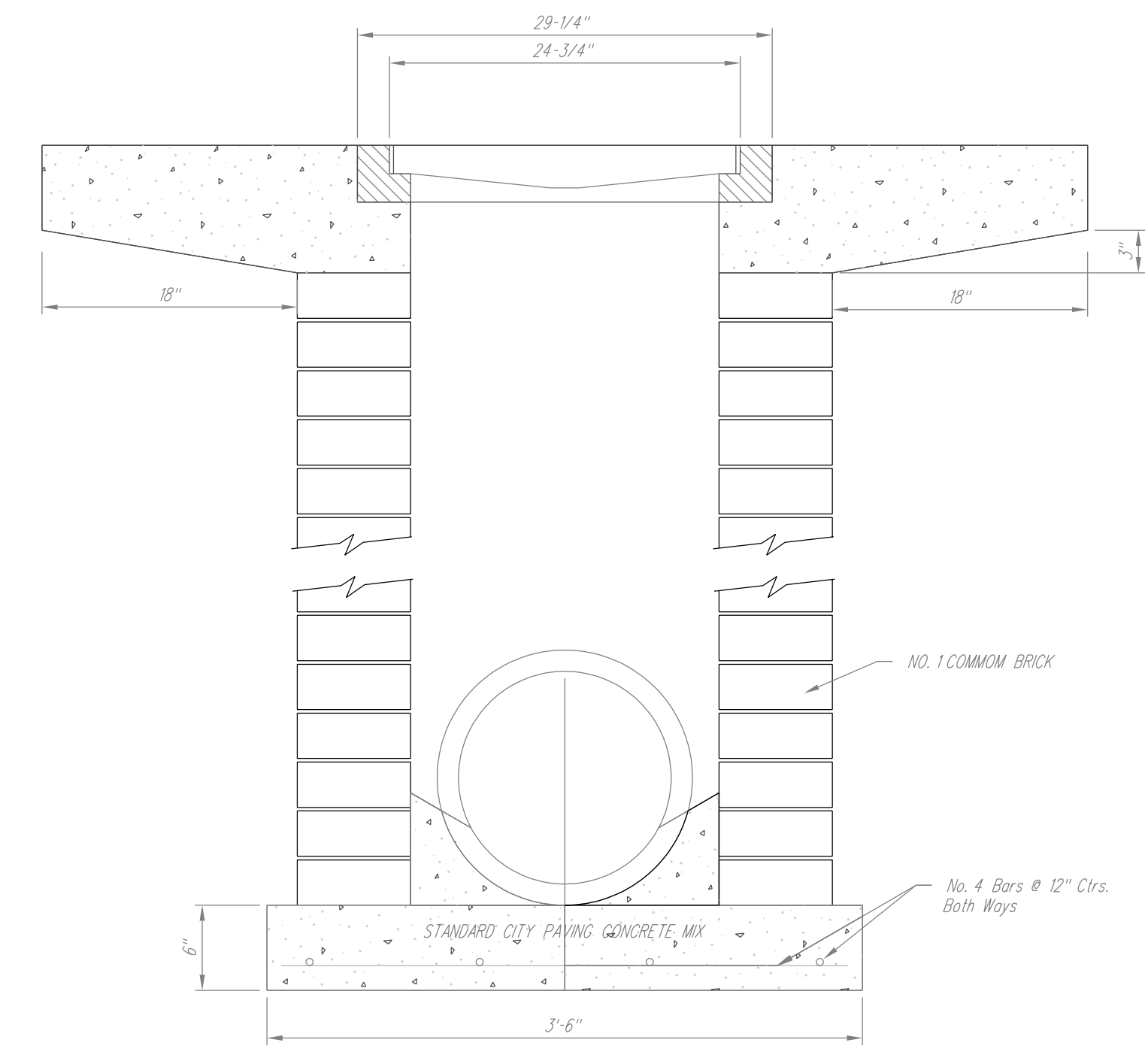
24" x 24" Frame and Grate Detail

NOTE: Grates shall be imprinted on the top surface with "CITY OF WICHITA" using letters at least 1" in height. Other marking methods may be approved by the engineer.



DEETER #2434 FRAME
Requires Two Grates

Double 24" x 24" Frame Detail



Note: Concrete apron shall be constructed around the inlet when inlet is located in an unpaved area. Where the inlet is adjacent to pavement, the pavement thickness shall be tapered to the inlet in 18 inches as indicated on the detail.

<p>THE CITY OF WICHITA</p> <p>CITY ENGINEER'S OFFICE CITY HALL - SEVENTH FLOOR 455 NORTH MAIN STREET WICHITA, KANSAS 67202 (316) 268-4501 (316) 268-4114 FAX</p>	<p>DROP INLET 2' X 2 1/2' X 4'</p>	
	<p>JAMES L. ARMOUR, P.E. - CITY ENGINEER</p>	
	<p>PROJECT NUMBER 472-84175</p>	<p>INDEX CODE XXXXXX</p>
	<p>DATE MAR 96</p>	<p>SHEET 29 OF 117</p>