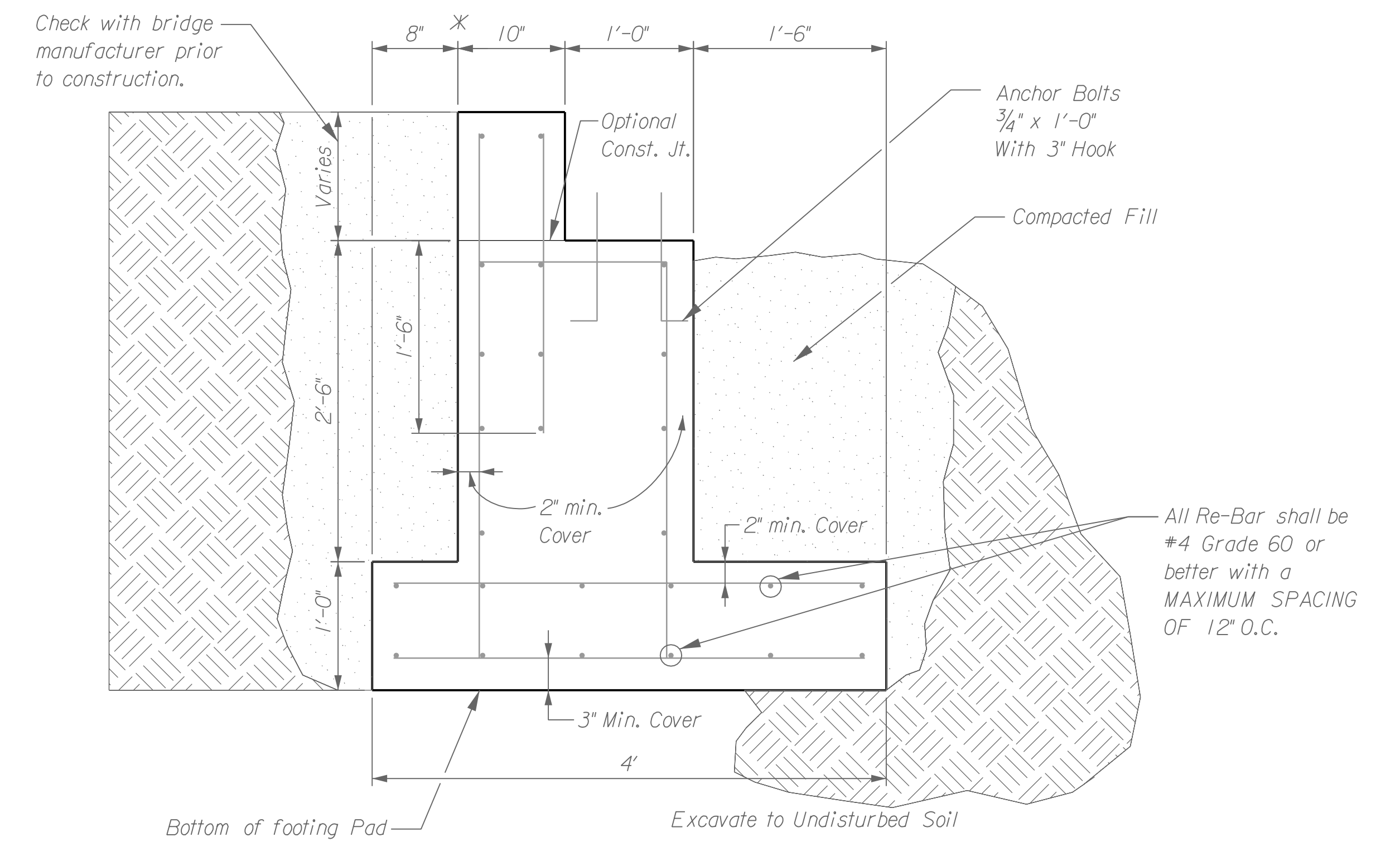
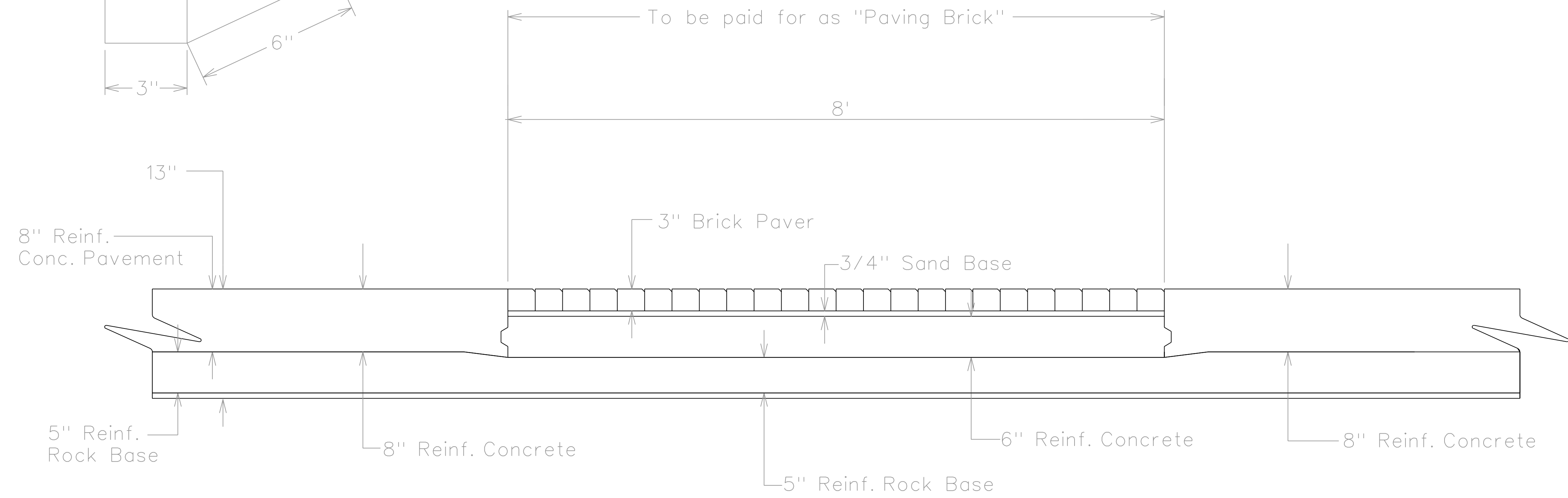
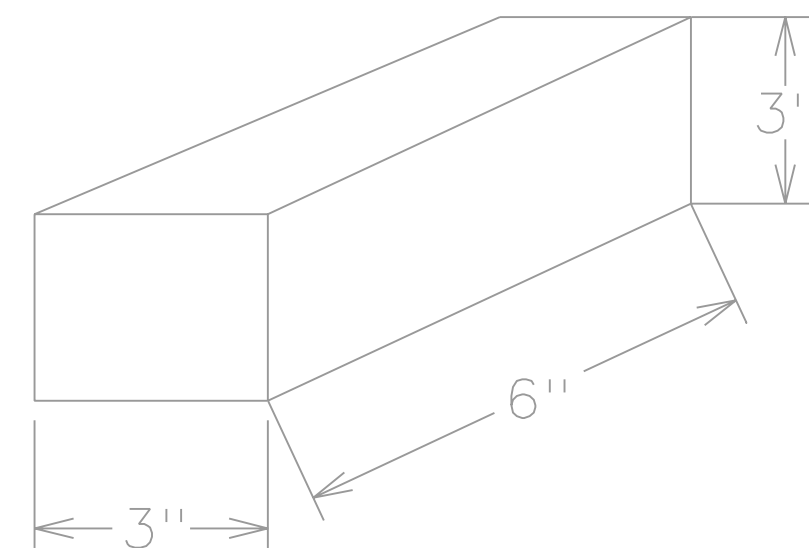


ABUTMENT PLAN
Not to Scale



SECTION
Not to Scale

* NOTE:
Plan Sheet Callouts are to
Back Edge of Abutment Top.



CROSSWALK BRICK PAVER SURFACE DETAIL

NOTE: Construction of the interlocking precast concrete paving stones shall conform to KDOT special provisions 90-P-3956

CITY OF WICHITA MERIDIAN AVENUE 31ST TO PAWNEE PEDESTRIAN CROSS WALK AND BRIDGE ABUTMENT DETAIL		DESIGNED: J.R.L.	DRAWN: J.R.L.
WICHITA, KANSAS		CHECKED: B.A.L.	DATE: 3/2005
TRAN SYSTEMS CORPORATION 245 North Waco, Suite 420 Wichita, Kansas 67202		SCALE: 1" = 10'	SHEET NO.: 38