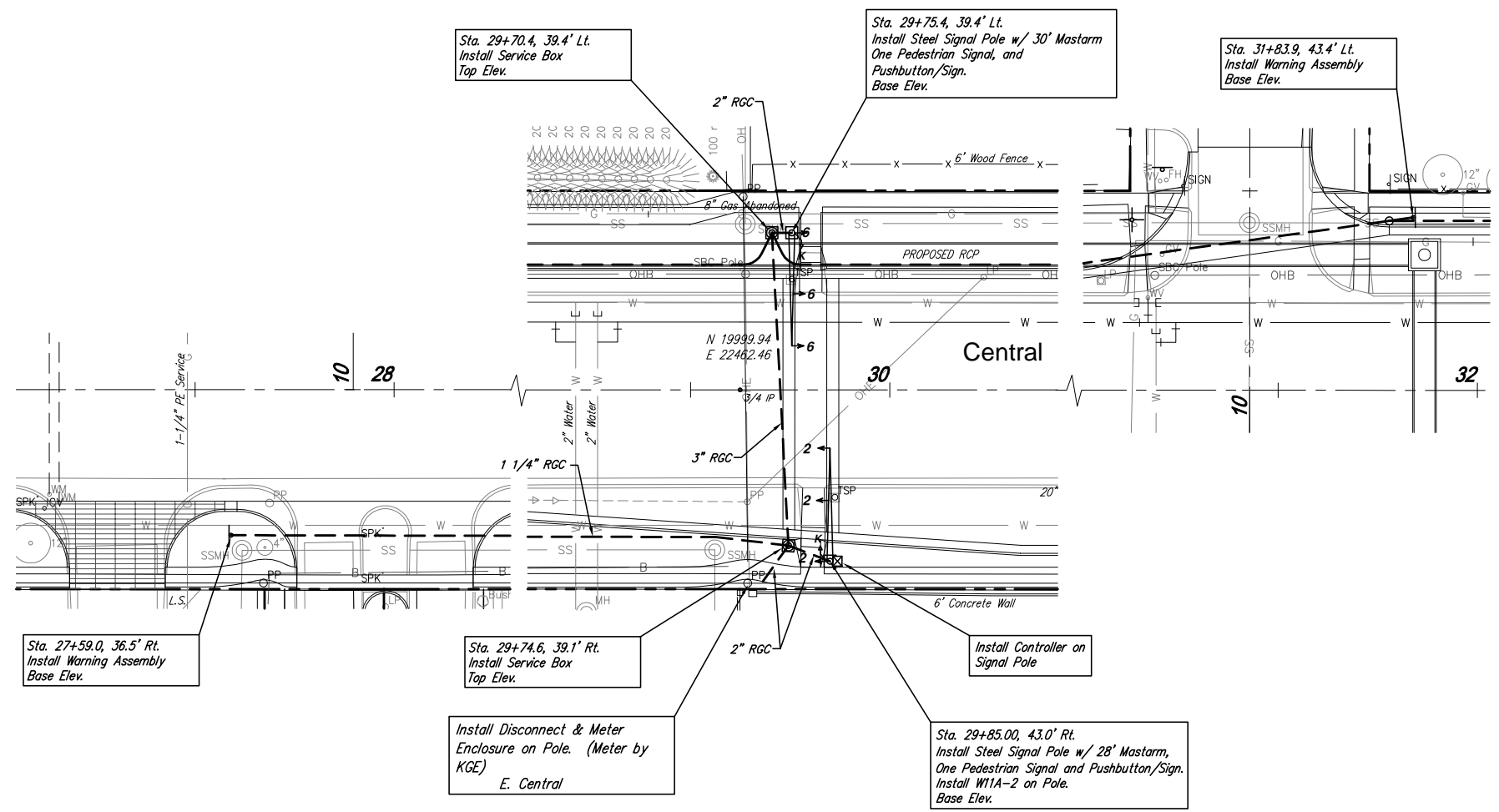


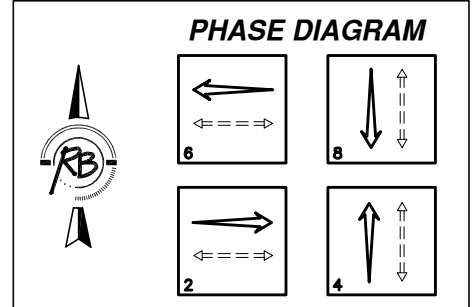
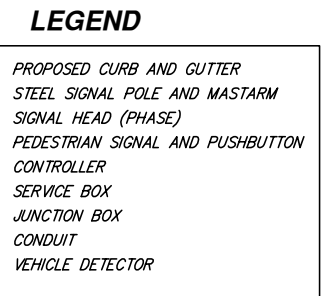
MATERIALS TABLE		
ITEM	UNIT	QUANTITY
MODEL 170 CONTROLLER	EA.	1
CONTROLLER CABINET	EA.	1
CONCRETE FOOTING - POLE	EA.	2
TRAFFIC SIGNAL POLE	EA.	2
SERVICE BOX	EA.	2
GROUND ROD & CLAMP	EA.	5
TRAFFIC SIGNAL MAST ARM (30')	EA.	1
TRAFFIC SIGNAL MAST ARM (28')	EA.	1
TRAFFIC SIGNAL HEAD - 12" (TYPE A) W/MOUNTING BRACKET	EA.	6
PEDESTRIAN SIGNAL - 12" (TYPE K) W/MOUNTING BRACKET	EA.	2
PEDESTRIAN PUSHBUTTON W/SIGN	EA.	8
WARNING ASSEMBLY	EA.	2
L.E.D. UNIT	EA.	18
ENTRANCE HEAD	EA.	1
CIRCUIT BREAKER & BOX	EA.	1
BACK PLATE FOR SIGNAL HEAD (TYPE A)	EA.	4
POLE MOUNTED CABINET & CONTROLLER SYSTEM-TYPE 170 (SEE NOTE)	EA.	1
TYPE 170 E CONTROLLER UNIT	EA.	1
MODEL 332 CABINET W/ALL ACCESSORIES	EA.	1
MODEL 430 TRANSFER RELAYS	EA.	2
MODEL 204 FLASHER UNIT	EA.	2
MODEL 210PC (ECL OR MS) CONFLICT MONITOR	EA.	1
SURGE PROTECTOR	EA.	1
MODEL 242 TWO CHANNEL ISOLATOR	EA.	3
MODEL 200 SWITCH PACK	EA.	4
MULTI-CONDUCTOR CABLE NO. 14 AWG 3/c	LF	550
MULTI-CONDUCTOR CABLE NO. 14 AWG 5/c	LF	414
STANDARD NO. 8 AWG 1/c (TYPE THHN) (GROUND)	LF	578
STANDARD NO. 6 AWG 1/c (TYPE THHN) (POWER)	LF	74
CONDUIT 1 1/4"	LF	448
CONDUIT 2"	LF	45
CONDUIT 3"	LF	84

THE CONTRACTOR SHALL BE RESPONSIBLE FOR FURNISHING AND INSTALLING ALL EQUIPMENT NECESSARY FOR THE COMPLETE AND SATISFACTORY OPERATION OF THE TRAFFIC SIGNAL WHETHER SAID EQUIPMENT IS SPECIFICALLY MENTIONED OR NOT. THE QUANTITIES SHOWN ARE FOR INFORMATION ONLY.



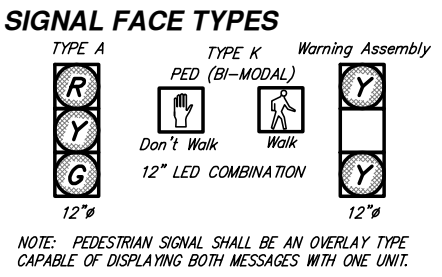
NOTES:
 CONTRACTOR SHALL INSTALL AND MAINTAIN TEMPORARY SIGNALS DURING CONSTRUCTION, MOUNTED ON A SPAN WIRE CABLE. ALL COST OF TEMPORARY SIGNALIZATION SHALL BE INCLUDED IN THE LUMP SUM BID ITEM FOR TRAFFIC SIGNALS.
 ALL TRAFFIC SIGNAL EQUIPMENT AND WIRING SHALL BE INSTALLED IN ACCORDANCE WITH CITY OF WICHITA SPECIFICATIONS.
 ALL EXISTING TRAFFIC CONTROL EQUIPMENT SHALL BE REMOVED AND REPLACED. ALL EXISTING EQUIPMENT SHALL BE STOCK PILED AT THE CENTRAL MAINTENANCE FACILITY, 1801 S. McCLEAN.

CONTROLLER NOTES:
 THE CONTROLLER AND CABINET SHALL INCLUDE THE FOLLOWING:
 • MODEL 170E CONTROLLER UNIT COMPLETE WITH W4IKS (53A OR LATEST REVISION) TRAFFIC PROGRAM ON 412B SYSTEM - MEMORY MODULE AND MODEL 400 MODEM.
 • ONE MODEL 336A CABINET (MEETING CITY OF WICHITA SPECIFICATIONS) COMPLETE WITH ALL ACCESSORIES INCLUDING 1 - MODEL 210PC CONFLICT MONITOR (ECL OR MS).
 • 2 - MODEL 242 TWO CHANNEL ISOLATORS
 • 4 - MODEL 430 TRANSFER RELAYS
 • 4 - MODEL 200 SWITCH PACKS
 • 2 - MODEL 204 FLASHER UNITS
 THE CONTRACTOR SHALL BE RESPONSIBLE FOR FURNISHING AND INSTALLING THE CONTROLLER, CABINET AND SOFTWARE AND FOR ALL EQUIPMENT NECESSARY FOR THE COMPLETE AND SATISFACTORY OPERATION OF THE TRAFFIC SIGNAL, WHETHER OR NOT SAID EQUIPMENT IS SPECIFICALLY MENTIONED.



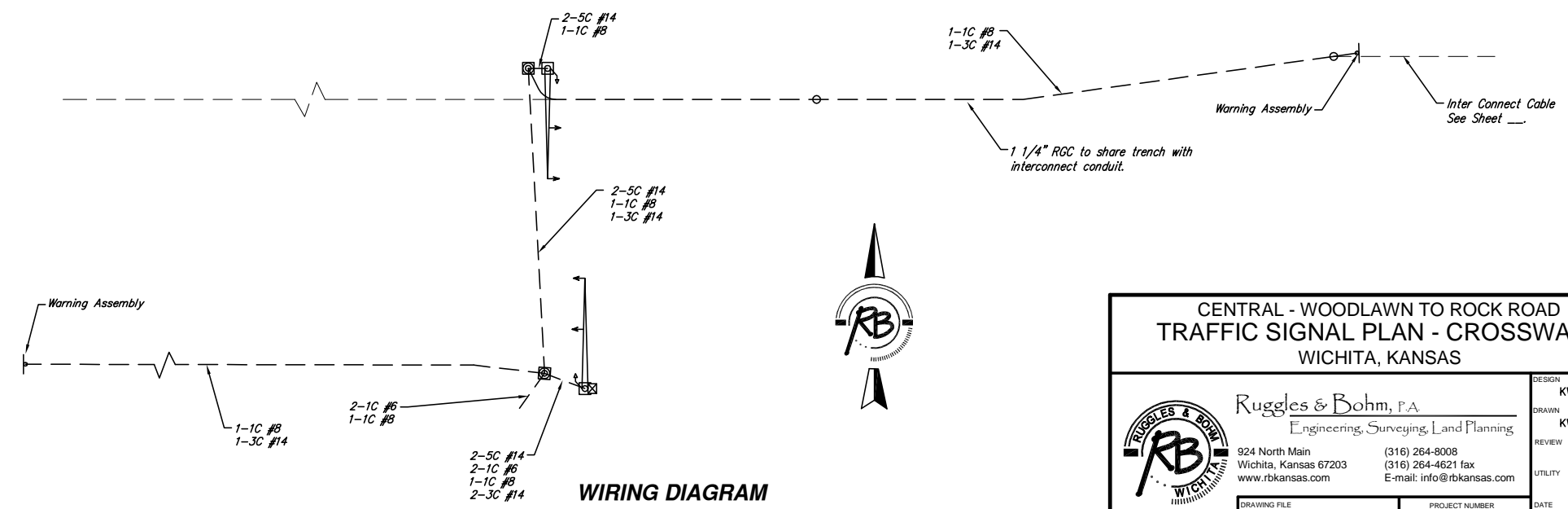
TRAFFIC SIGNAL HEAD SUMMARY

SIGNAL PHASE	TYPE	MOUNTING BRACKET	QUANTITY
1	-	-	-
2	A	TYPE I	2
2	A	TYPE III	1
3	-	-	-
4	K	TYPE II	1
5	-	-	-
6	A	TYPE I	2
6	A	TYPE III	1
7	-	-	-
8	K	TYPE II	1



TRAFFIC SIGNAL POLE SUMMARY

STATION	TYPE	ARM LENGTH (LF)	SIGNALS ON ARM	OTHER EQUIP. ON ARM	SIGNALS ON POLE
29+75.4 LT	STEEL	30	(2) A	-	(1) A, (1) K
29.85.0 RT	STEEL	28	(2) A	-	(1) A, (1) K



CENTRAL - WOODLAWN TO ROCK ROAD TRAFFIC SIGNAL PLAN - CROSSWALK WICHITA, KANSAS

Ruggles & Bohm, P.A.
 Engineering, Surveying, Land Planning

924 North Main (316) 264-8008
 Wichita, Kansas 67203 (316) 264-4621 fax
 www.rbkansas.com E-mail: info@rbkansas.com

DESIGN: KWL
 DRAWN: KWL
 REVIEW: KWL
 UTILITY: 58 OF 106
 DATE: July 10, 2006
 PROJECT NUMBER: 472-83874
 DRAWING FILE: traffic signal plans {Crosswalk}