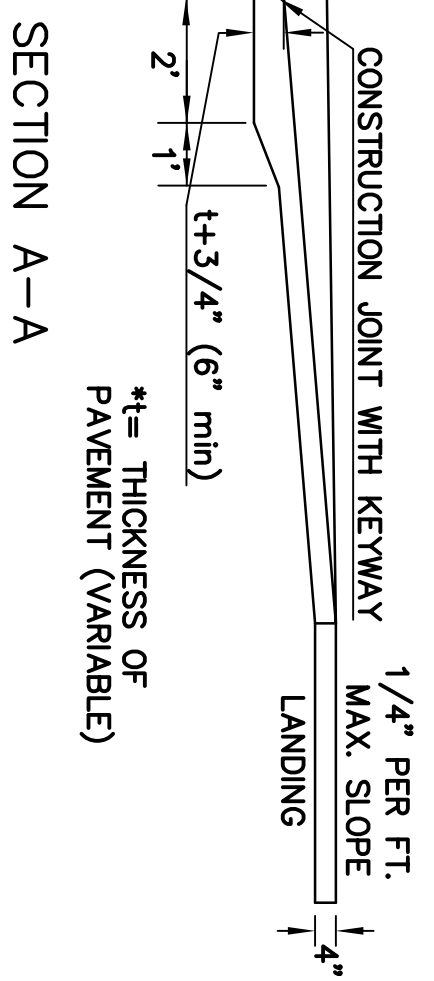
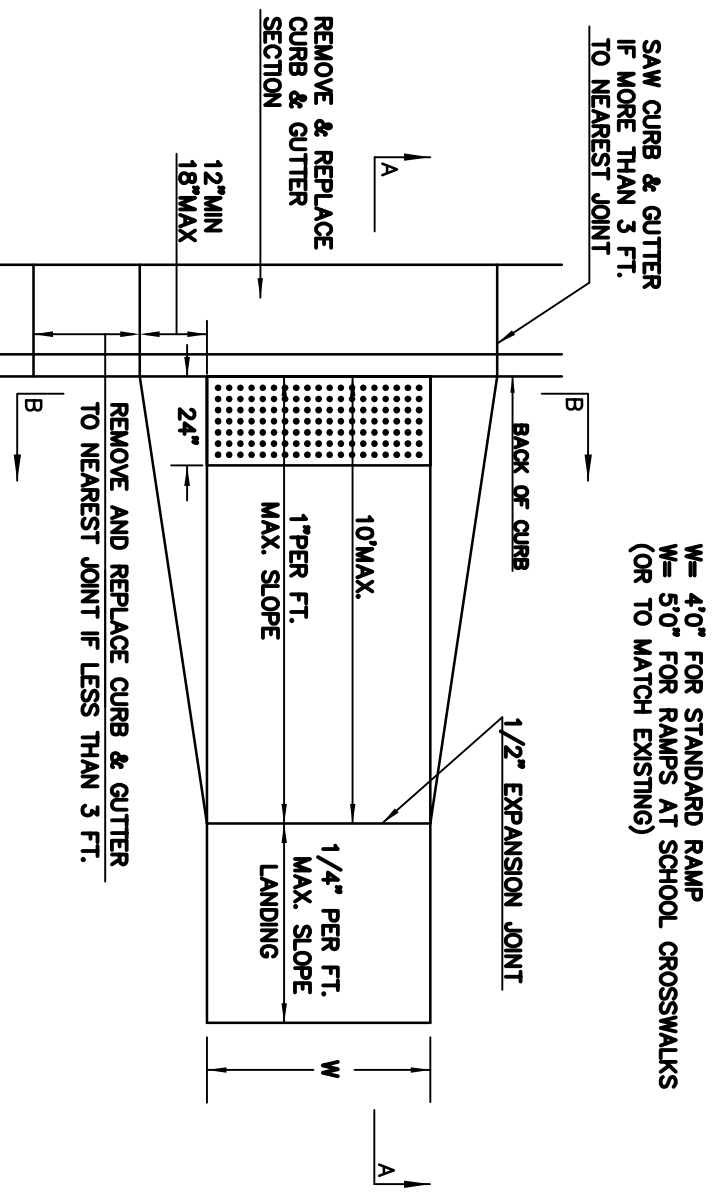
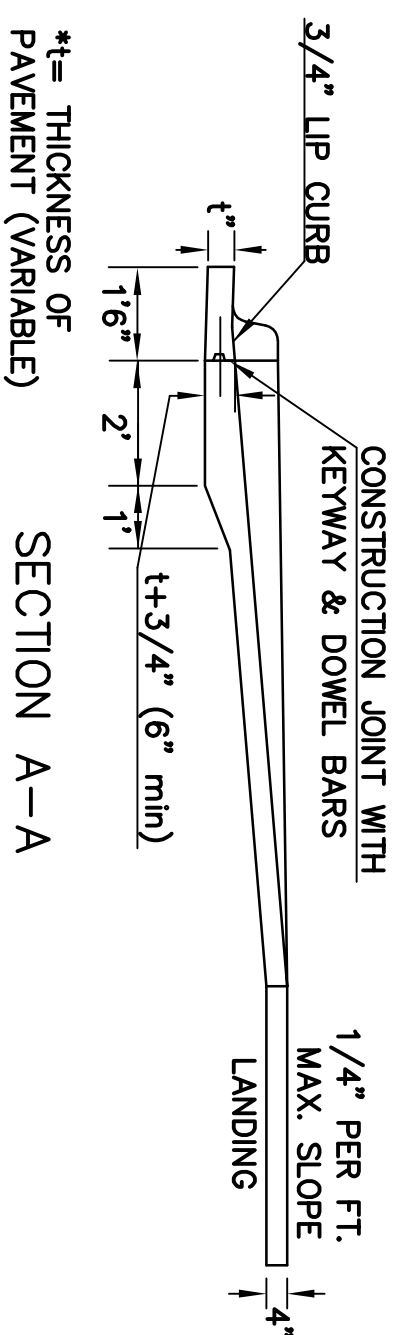
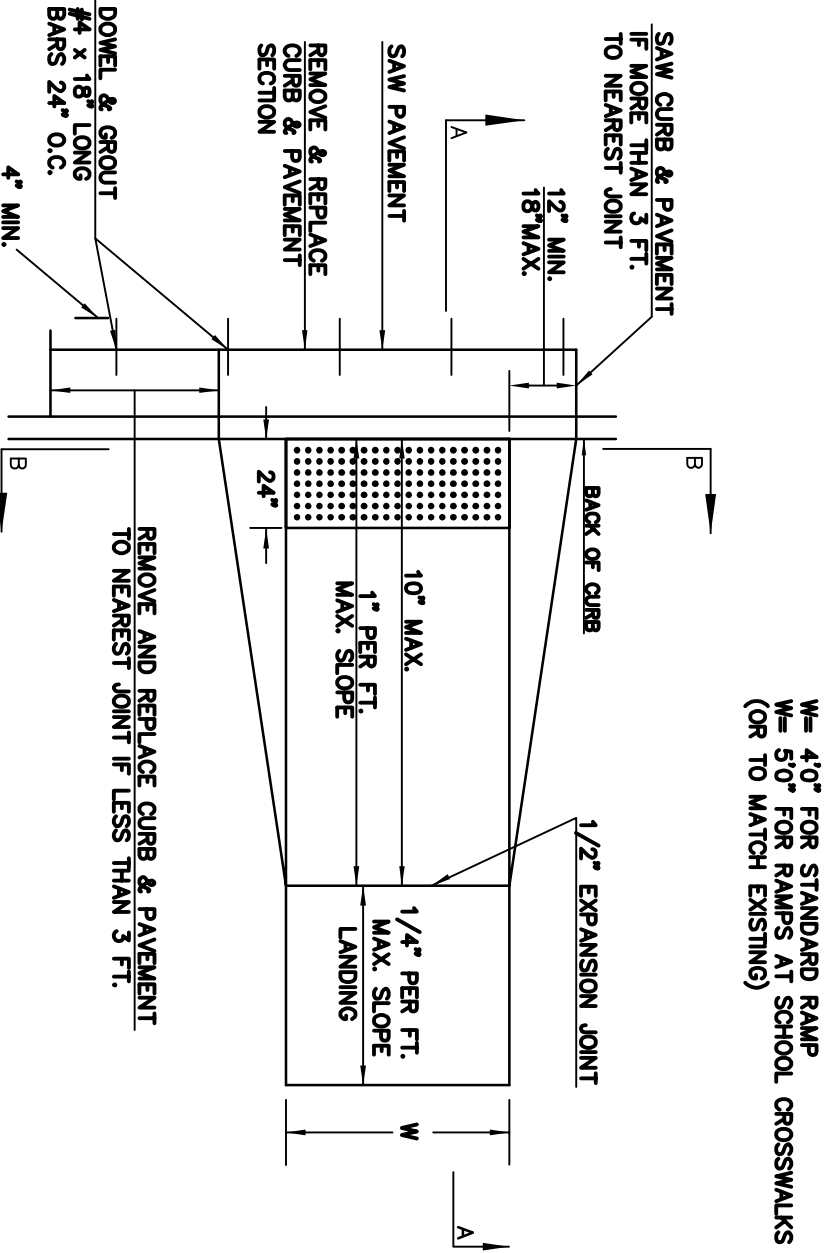


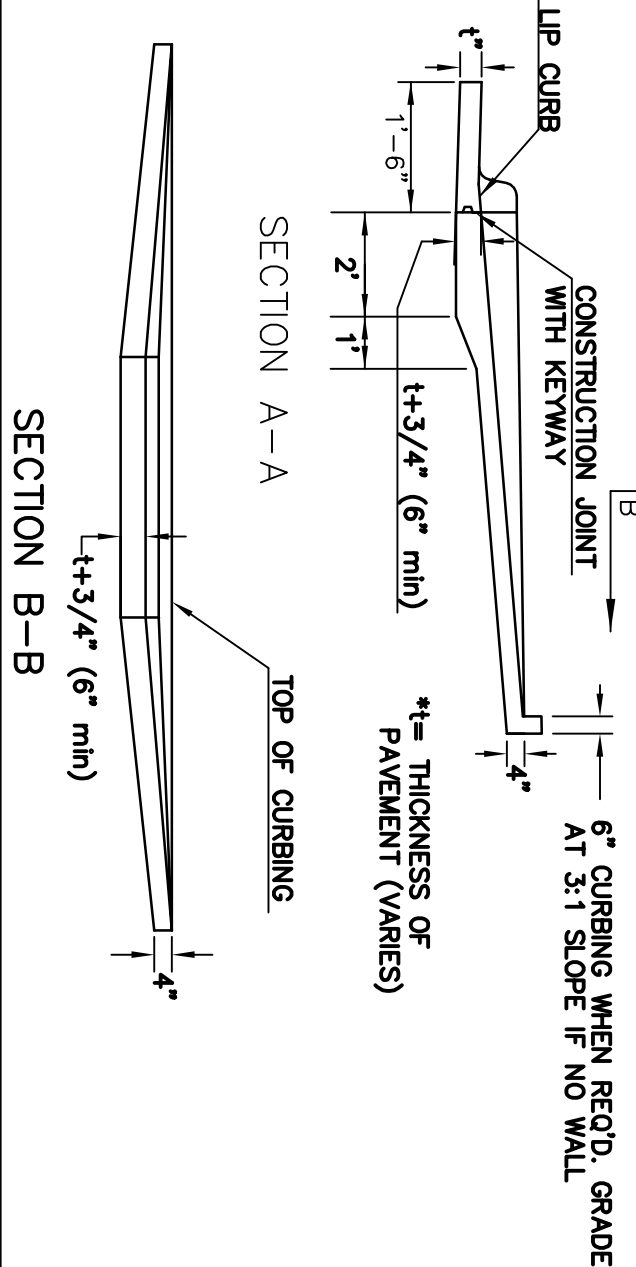
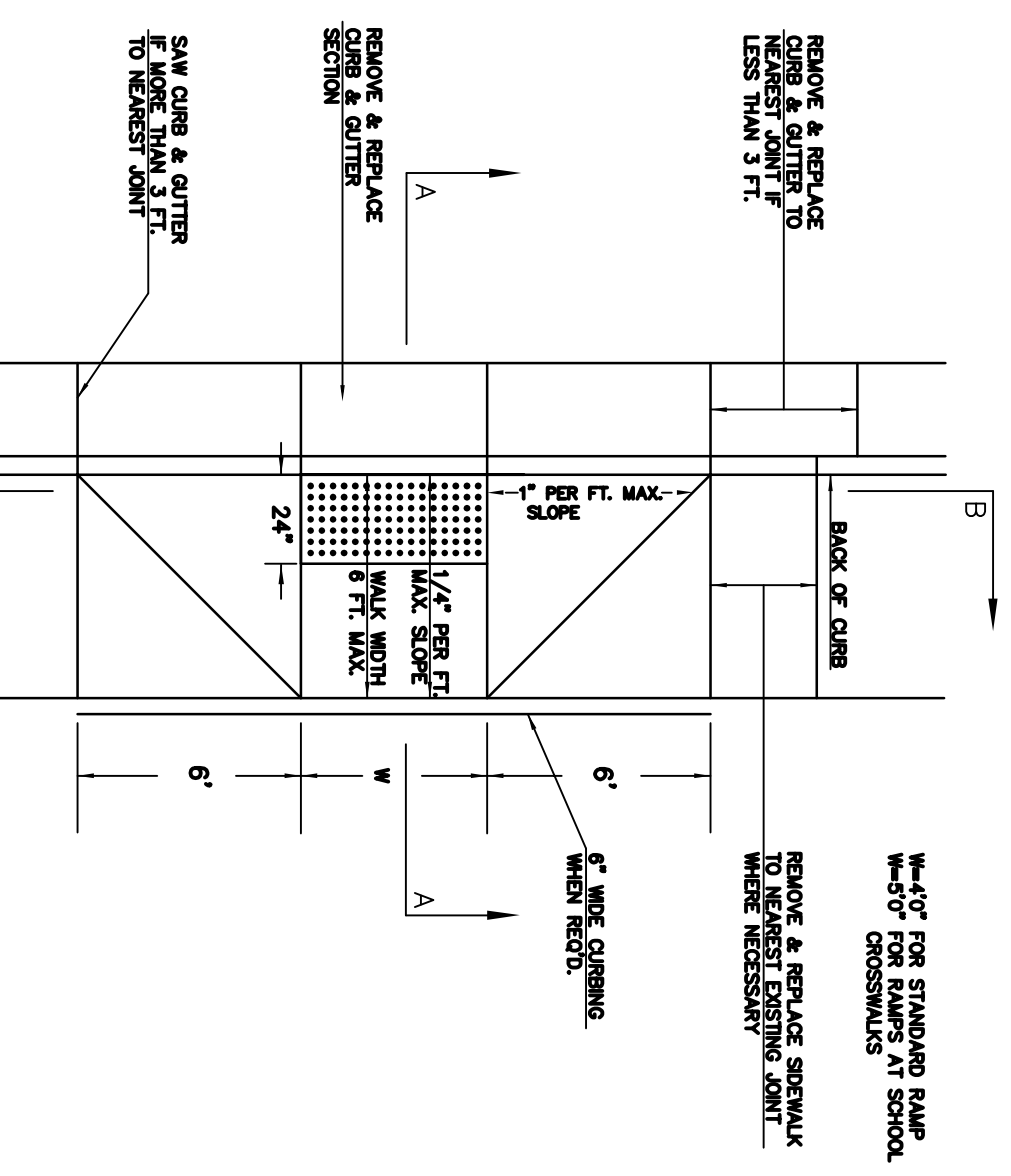
(TYPE A)  
STANDARD WHEELCHAIR RAMP  
CONSTRUCTION DETAIL FOR STREETS  
WITH COMBINED CURB & GUTTER



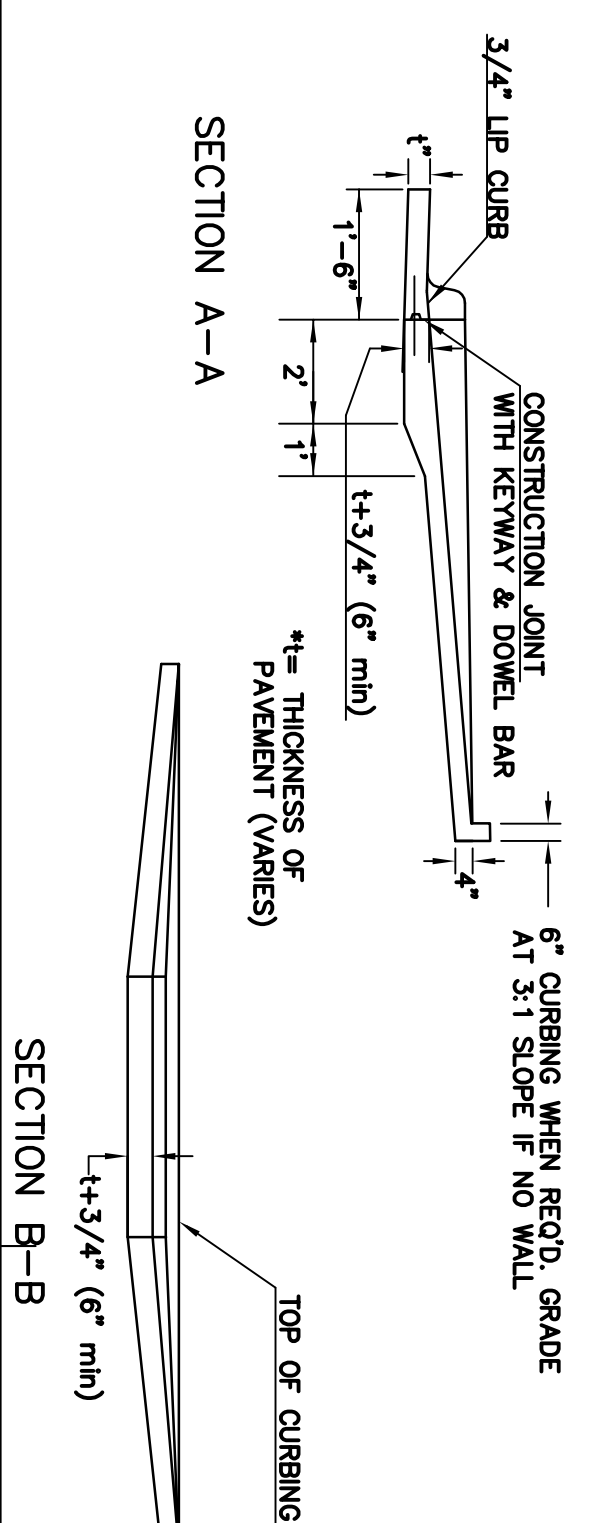
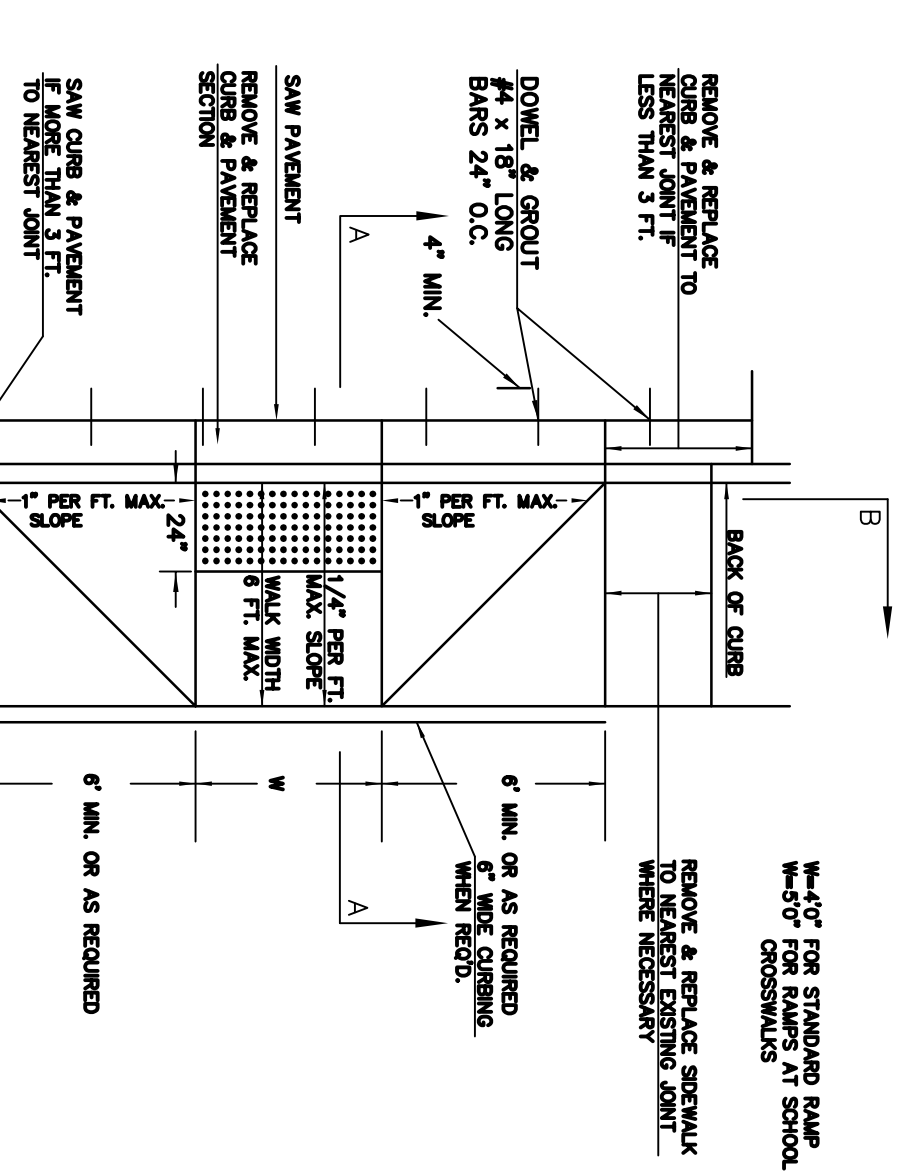
(TYPE A)  
STANDARD WHEELCHAIR RAMP CONSTRUCTION DETAIL FOR  
CONCRETE STREETS WITH MONOLITHIC CURB



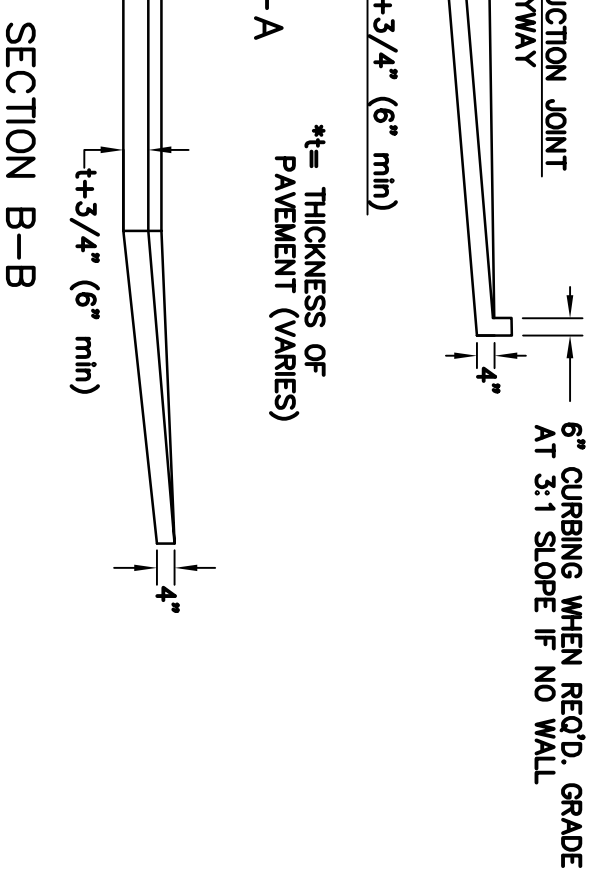
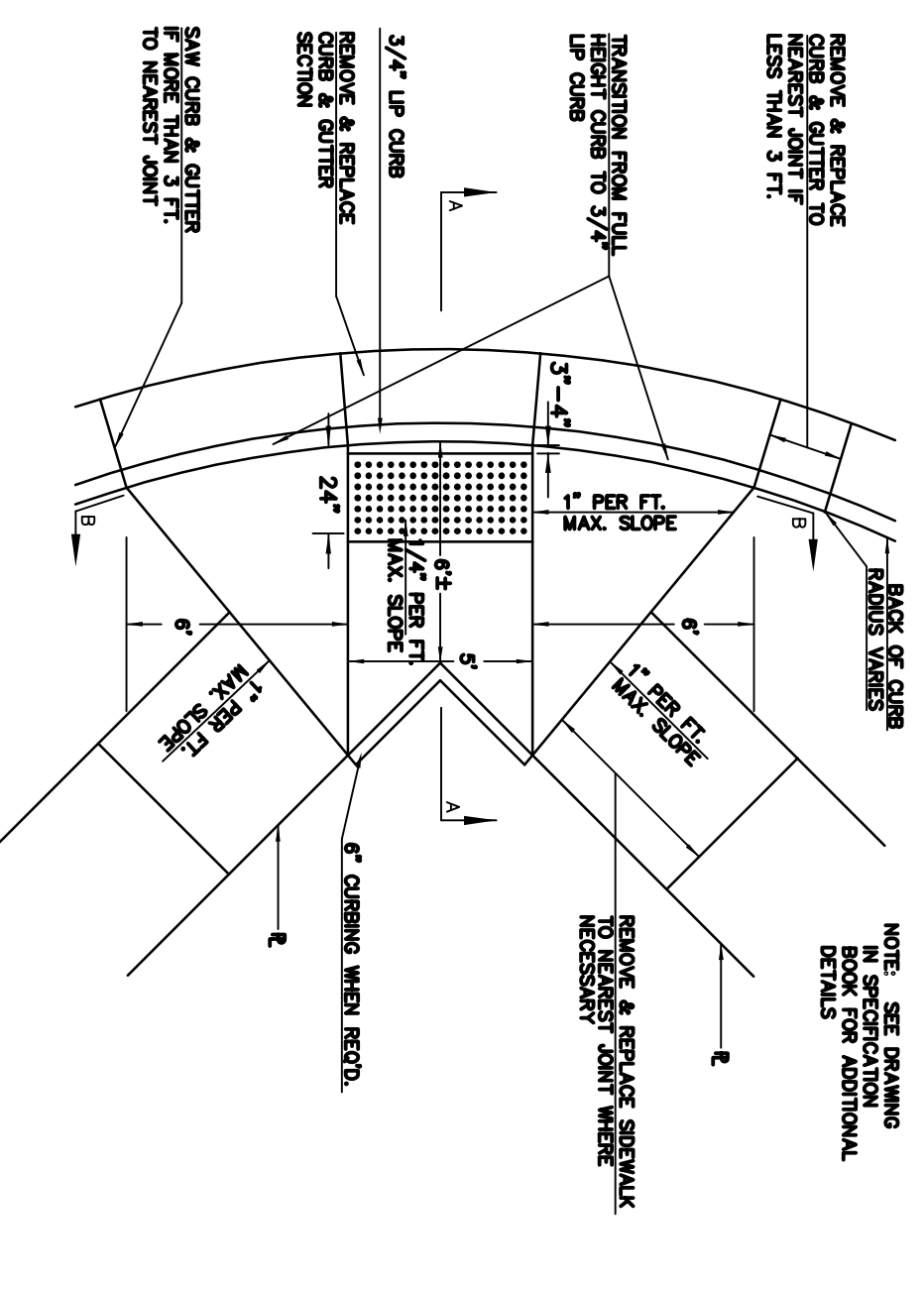
(TYPE B)  
STANDARD WHEELCHAIR RAMP CONSTRUCTION DETAIL FOR  
STREETS WITH COMBINED CURB & GUTTER AND FULL WALK



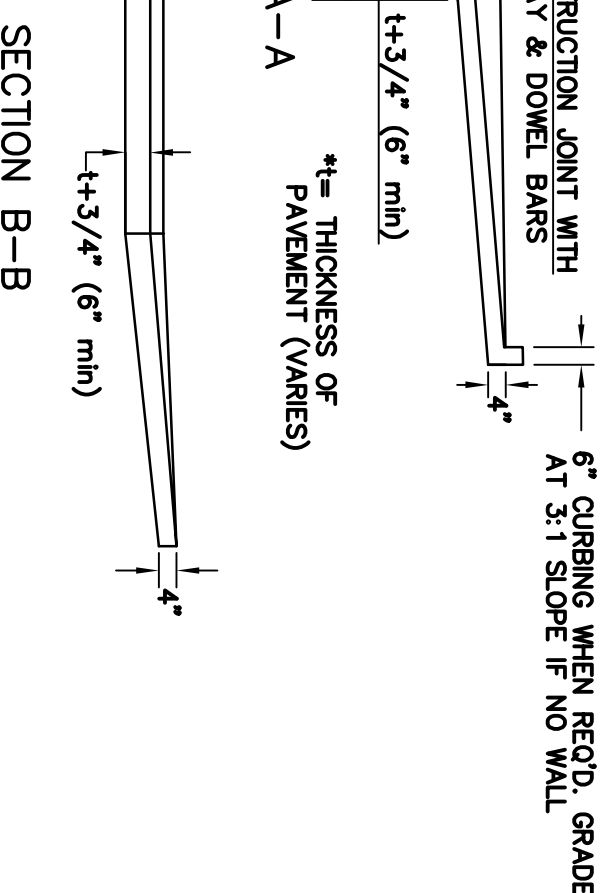
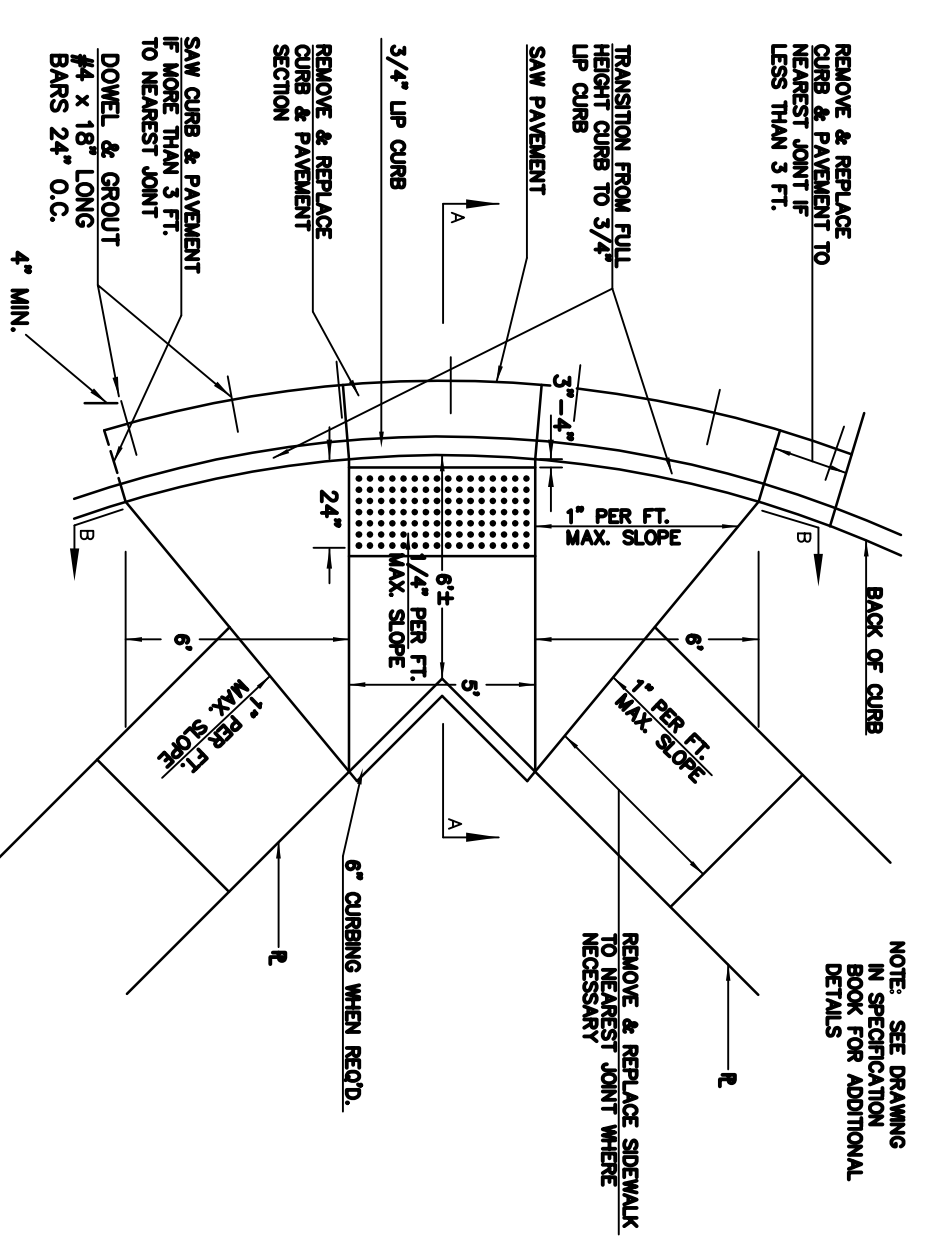
(TYPE B)  
STANDARD WHEELCHAIR RAMP CONSTRUCTION DETAIL FOR  
STREETS WITH MONOLITHIC CURB AND FULL WALK



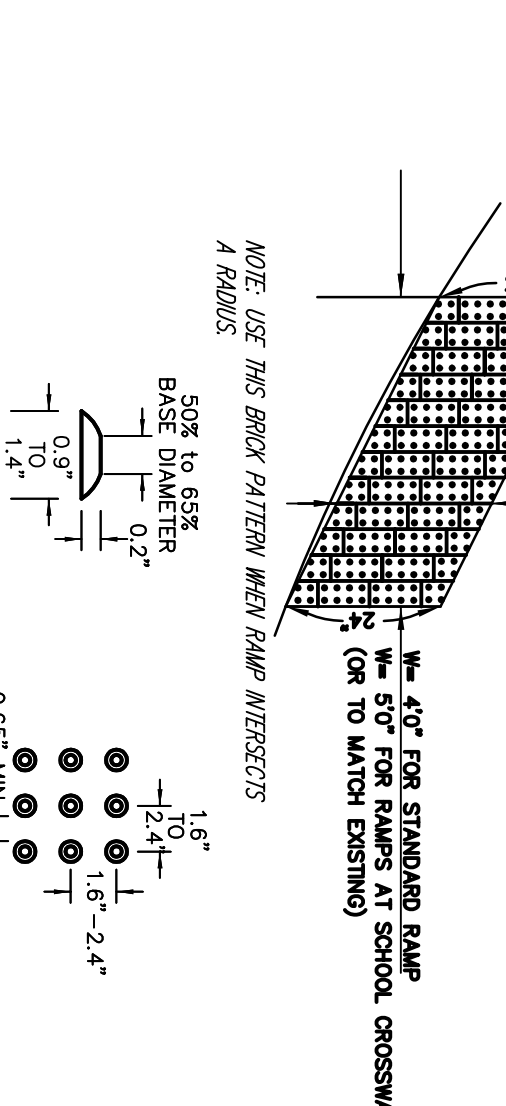
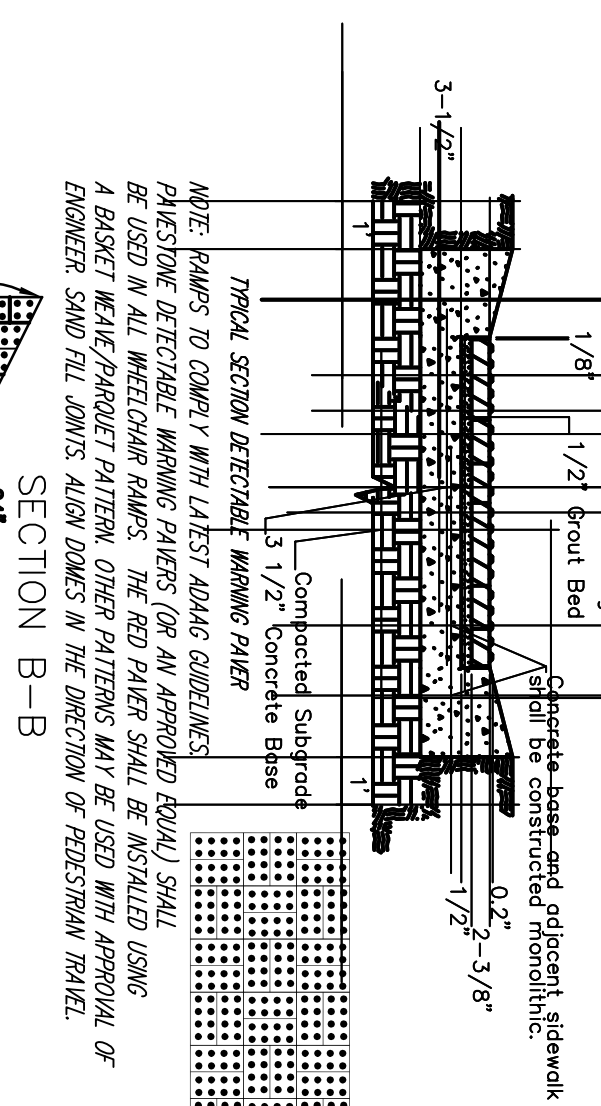
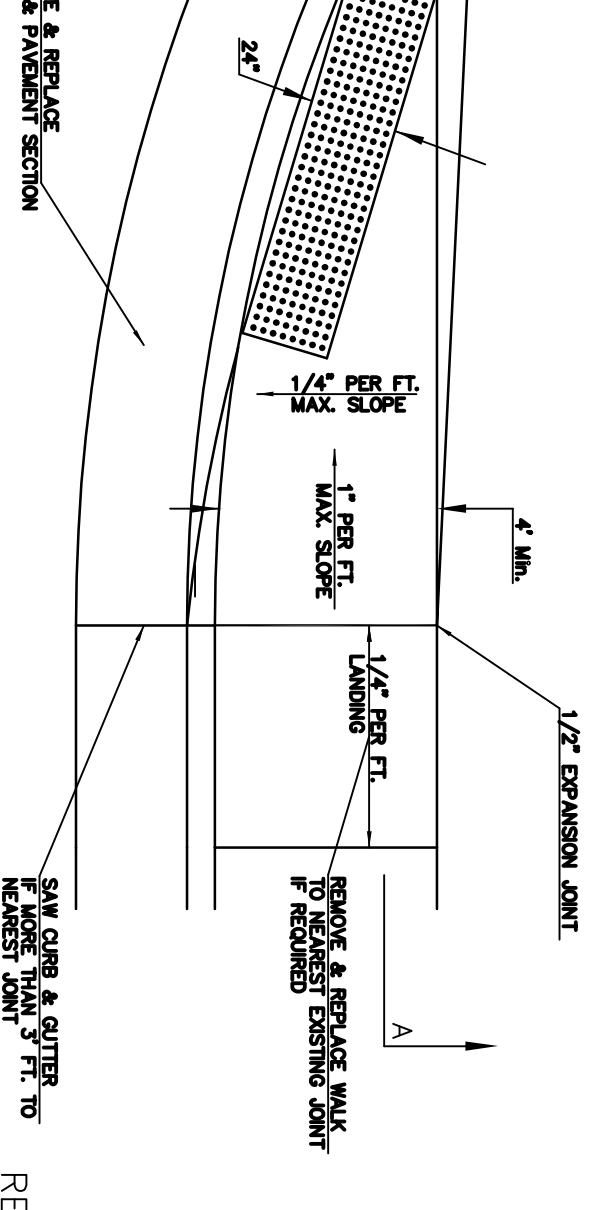
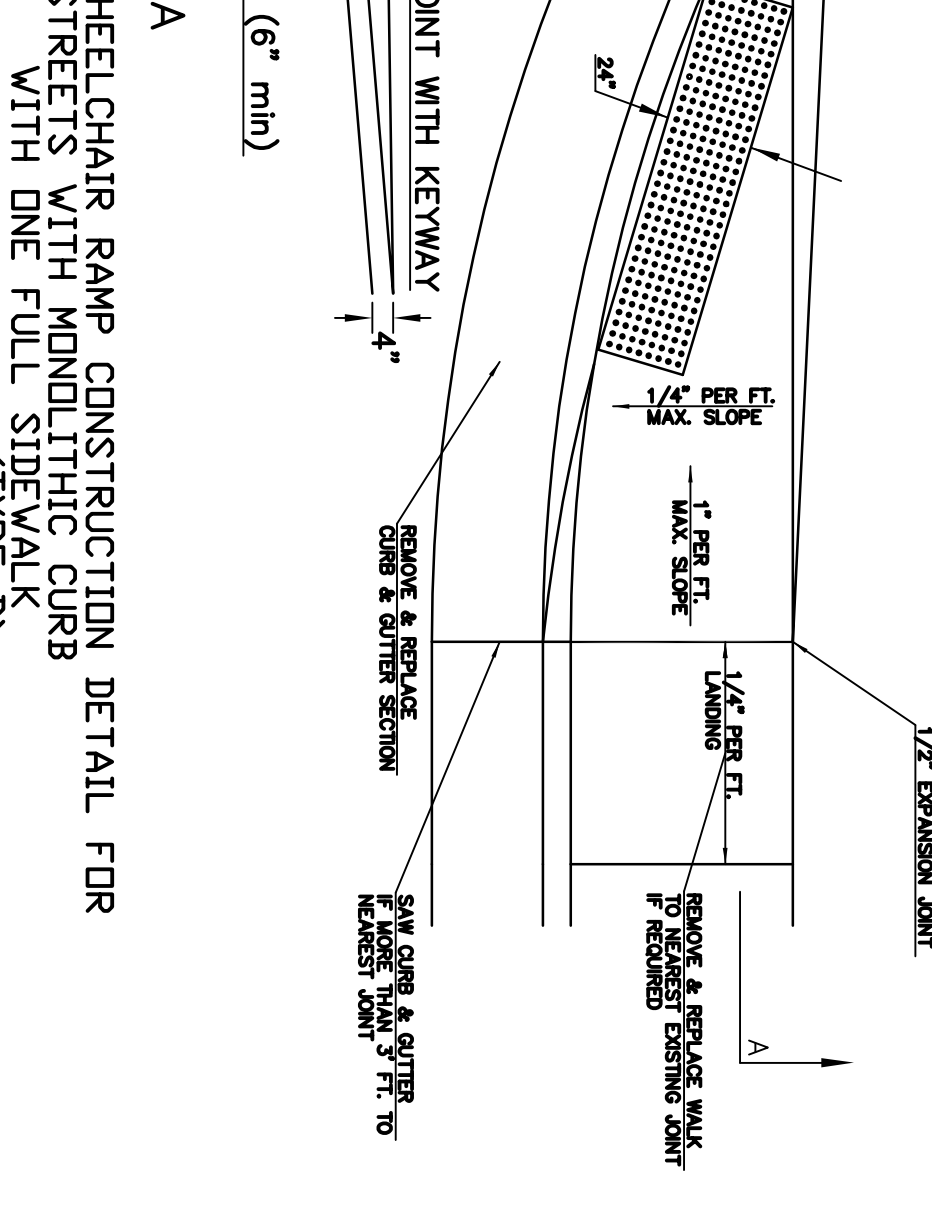
(TYPE C)  
STANDARD WHEELCHAIR RAMP CONSTRUCTION DETAIL FOR  
STREET WITH COMBINED CURB AND GUTTER ON RADIUS  
WITH 6'± FROM BACK OF CURB TO PROPERTY CORNER



(TYPE C)  
STANDARD WHEELCHAIR RAMP CONSTRUCTION DETAIL FOR  
STREET WITH MONOLITHIC CURB ON RADIUS  
WITH 6'± FROM BACK OF CURB TO PROPERTY CORNER



(TYPE D)  
STANDARD WHEELCHAIR RAMP CONSTRUCTION DETAIL FOR  
STREETS WITH ONE FULL SIDEWALK



**CITY OF WICHITA**  
PUBLIC WORKS ENGINEERING

**WHEELCHAIR RAMP DETAILS**

WCR WITH DETECTABLE WARNING/DOME

NEIL CABLE, P.E.  
CITY ENGINEER

PROJECT NUMBER: XXX-XXXX  
CITY ENGINEER'S OFFICE: JLA  
DATE: MM/YY  
DESIGN: MGS  
SHEET: P2.1