

GENERAL NOTES - SIGNING

NOTE: References below to "standard specifications" denote "Standard Specifications for State Road and Bridge Construction, Edition 1990" by the Kansas Department of Transportation.

1. Post Anchors. Posts shall be anchored with a yielding base post support as detailed.
2. Posts for Traffic Control Signs. Posts shall conform to the requirements of subsection 1620 of the standard specifications except that all posts shall weigh 3 lbs./foot minimum.
3. Posts for Street Name Signs (SNS): Posts shall be 9 feet long, constructed from 2 3/8" O.D. galvanized steel pipe weighing a minimum of 3 lbs./ft. Posts shall be positioned so that the bottom blade is 7 feet above grade.
4. Sign Blanks for Traffic Control Signs. Sign blanks shall be fabricated from 0.080" aluminum alloy 6063-T6 conforming to the requirements of subsection 1626 of the standard specifications.

5. Sign Blades for Street Name Signs: Extruded aluminum blades shall be aluminum alloy conforming to 6063-T6 or 5052-H38 (ASTM Specifications 6221, latest issue). Blades shall be an anodine or phosphate etched finish.

Blades shall have square corners and no holes. Minimum blade length shall be 24". Maximum blade length 48". Length varies by increments of 6".

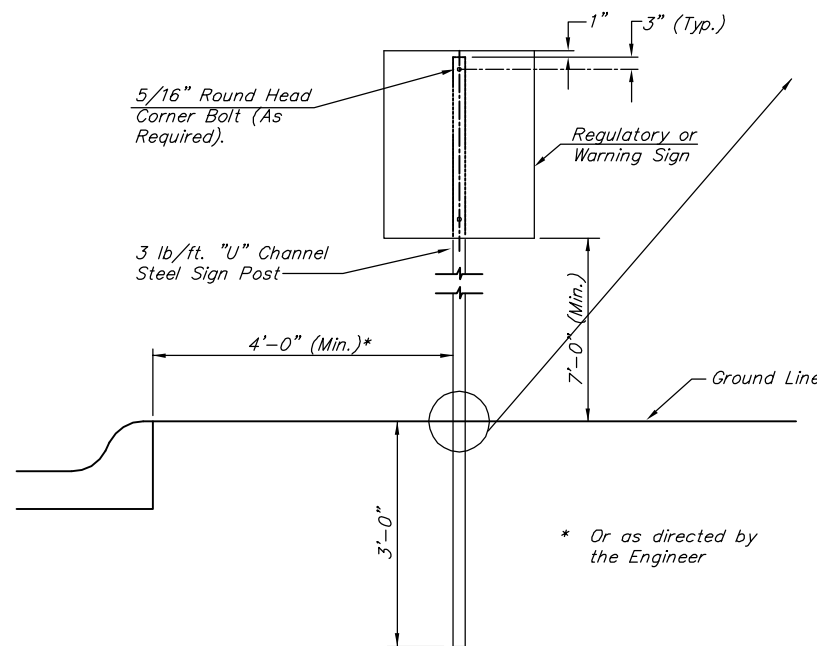
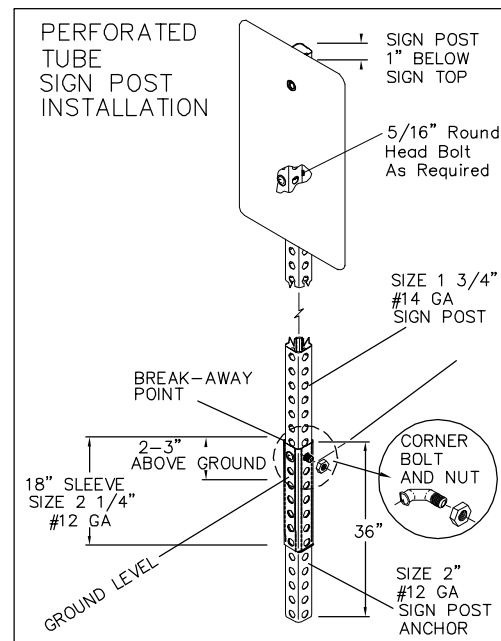
6. Mounting Brackets for Signs: Die-cast aluminum brackets shall be Aluminum Alloy 360 having a tensile strength of 44,000 psi. The brackets shall be smoothly finished free of pits, burrs, and flaws. Each bracket shall be tapped and drilled for 5/16" zinc-plated allen-type set screws have self-locking saw-tooth ends.
7. Fasteners. All steel fasteners for traffic control signs shall be galvanized and shall conform to the requirements of Subsection 1614 of the standard specifications.
8. Reflective Sheeting. Reflective sheeting shall be Type II - High performance class HA in accordance with subsection 2201 of the standard specifications.
9. Process Ink. All process ink shall conform to the requirements of subsection 2202 of the standard specifications.
10. Details. Regulatory and warning signs shall conform to the details in "Standard Highway Signs", FHWA 1979.

11. Details - SNS: The reflective sheeting for the 6 3/4" standard size SNS is to be the Highway Green background with Silver-White #2 copy with 4" upper case and lower case primary copy and suffix copy, both Series "C".

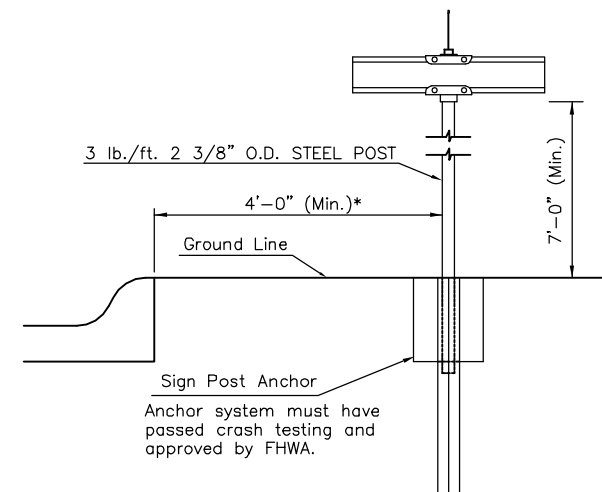
The reflective sheeting for the 9" Metro size SNS is to be the Highway Green background with Silver-White #2 copy with 5" upper case and lower case primary copy and suffix copy, both Series "C". The cardinal direction centered directly below the block numbers shall be an upper case, 3" Series "C" letter.

Shop Drawings for SNS shall be submitted to the Traffic Engineering division of the City of Wichita for approval prior to fabrication. The finished signs as supplied shall be of good appearance, free from ragged edges, cracks, scales or blisters and shall be clean-cut. Signs shall be packed in such a manner as to prevent damage or defacement during shipment and storage.

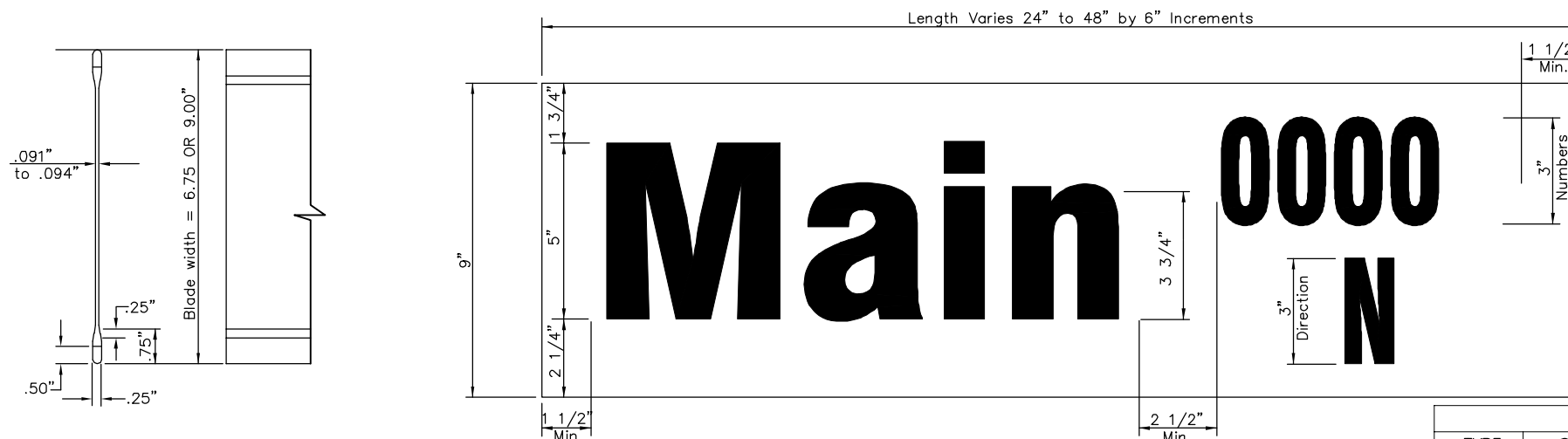
12. New traffic control and street name signs. New traffic control and street name signs shall be measured and paid for at the lump sum price for signing. The payment as set forth above shall be considered full compensation for all excavation, backfilling, posts, anchors, fasteners, materials, labor, tools, and incidentals necessary to complete this work.



Typical Traffic Control Sign Mounting Installation
Curb and Gutter Section



Typical Street Name Sign Mounting Installation
Curb and Gutter Section

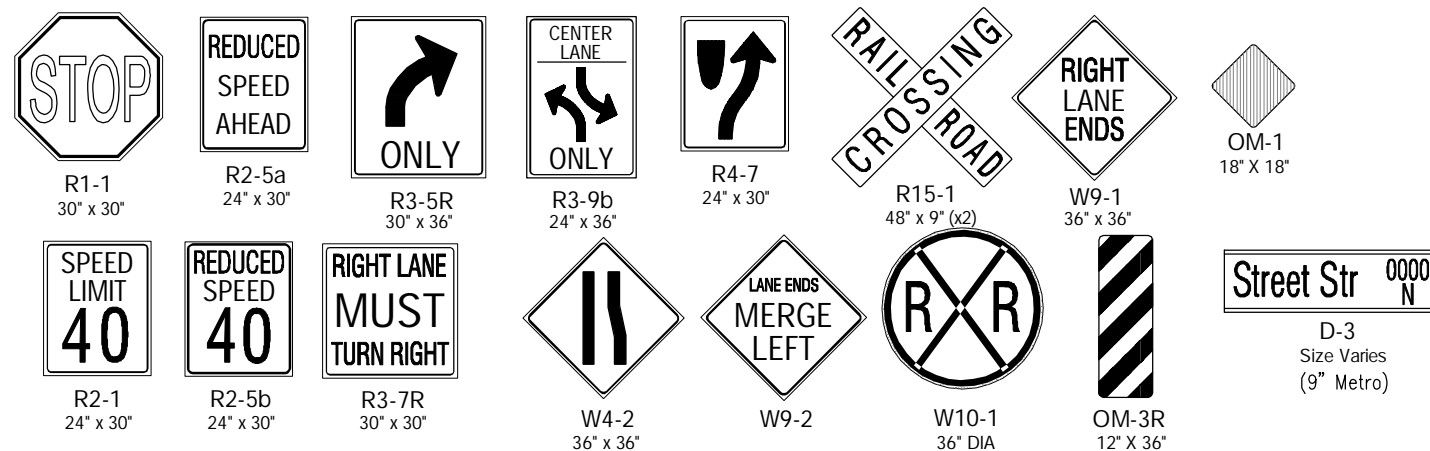


STREET NAME	NO. BLADES REQ'D	
	18" (Most Arm)	9" METRO
37TH ST N	2	---
RIDGE	2	---
		NEW RELOCATE
TYLER 3800 N	---	1
37TH ST 8500 W	---	1
PEPPER RIDGE 3800 N	---	1
37TH ST 8400 W	---	1
PEPPER RIDGE 3700 W	---	1
37TH ST 8100 W	---	1
LAKE RIDGE 3500 N	---	1
37TH ST 8100 W	---	1
LAKECREST 8700 W	---	1
37TH ST 7800 W	---	1
RIDGE 3700 N	---	1
37TH ST 7800 W	---	1

FOR INFORMATION ONLY.

SIGNING QUANTITIES THIS PROJECT				
TYPE	SIGN FACE DESCRIPTION	SIZE	INSTALL	RELOCATE
D-3	STREET NAME SIGN ASSEMBLY	9" (METRO)	2	10
OM-1	OBJECT MARKER (Yellow)	18" x 18"	16	
OM-3R	OBJECT MARKER	12" x 36"	2	
R1-1	STOP	48" x 48"	2	2
R1-1	STOP	30" x 30"	5	3
R2-1	SPEED LIMIT (40,50)	24" x 30"	7	
R2-5a	ADVANCED SPEED REDUCTION	24" x 30"	3	
R2-5b	REDUCED SPEED LIMIT	24" x 30"	3	
R3-7R	LANE CONTROL - RT ONLY	30" x 30"	5	
R3-8b	LANE MOVEMENT CONTROL	30" x 48"	4	
R3-9b	DUAL OPPOSING LEFT TURNS	24" x 36"	6	
R4-7	KEEP RIGHT	24" x 30"	2	
R15-1	RAIL ROAD CROSSING	48" x 9" x 2	2	
W9-1	ADV RIGHT LANE ENDS	24" x 30"	3	
W9-2	RIGHT LANE ENDS MERGE LT	24" x 30"	6	
W4-2	LN ENDS MERGE LT-SYMB	36" x 36"	-	
W10-1	ADVANCED RXR	36" DIA		2

FOR INFORMATION ONLY



Typical Street Signing
(This Project)