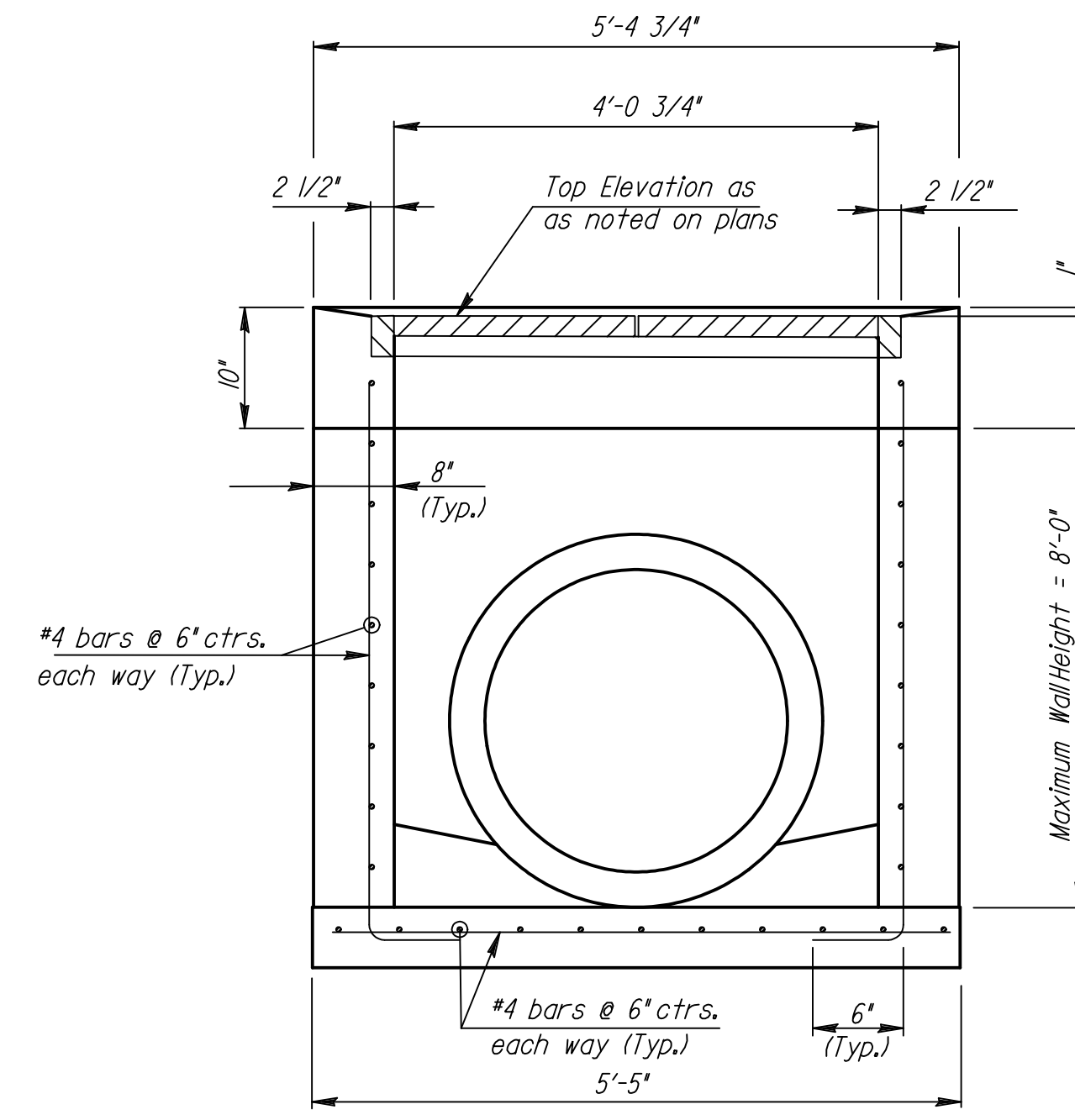
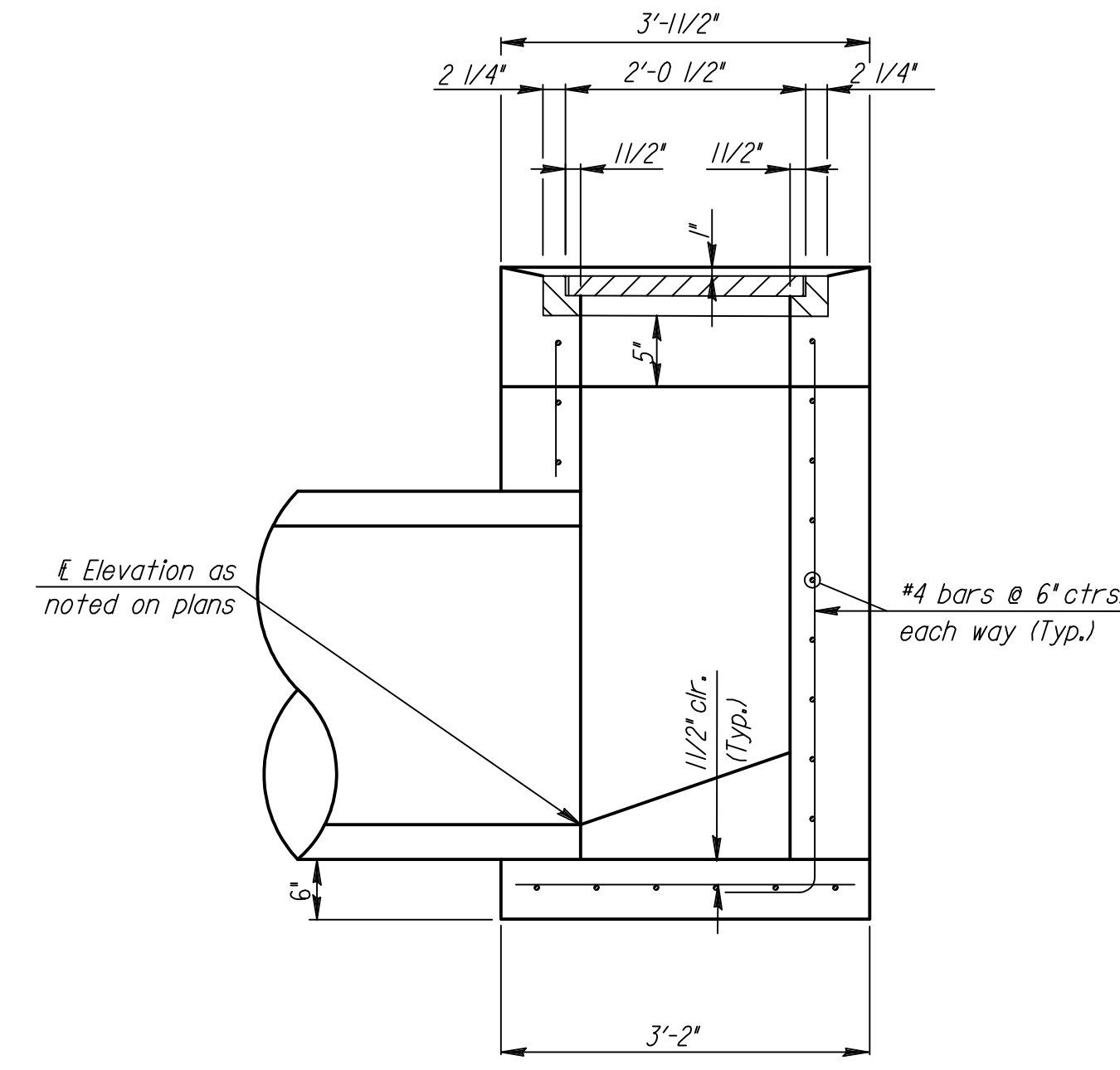


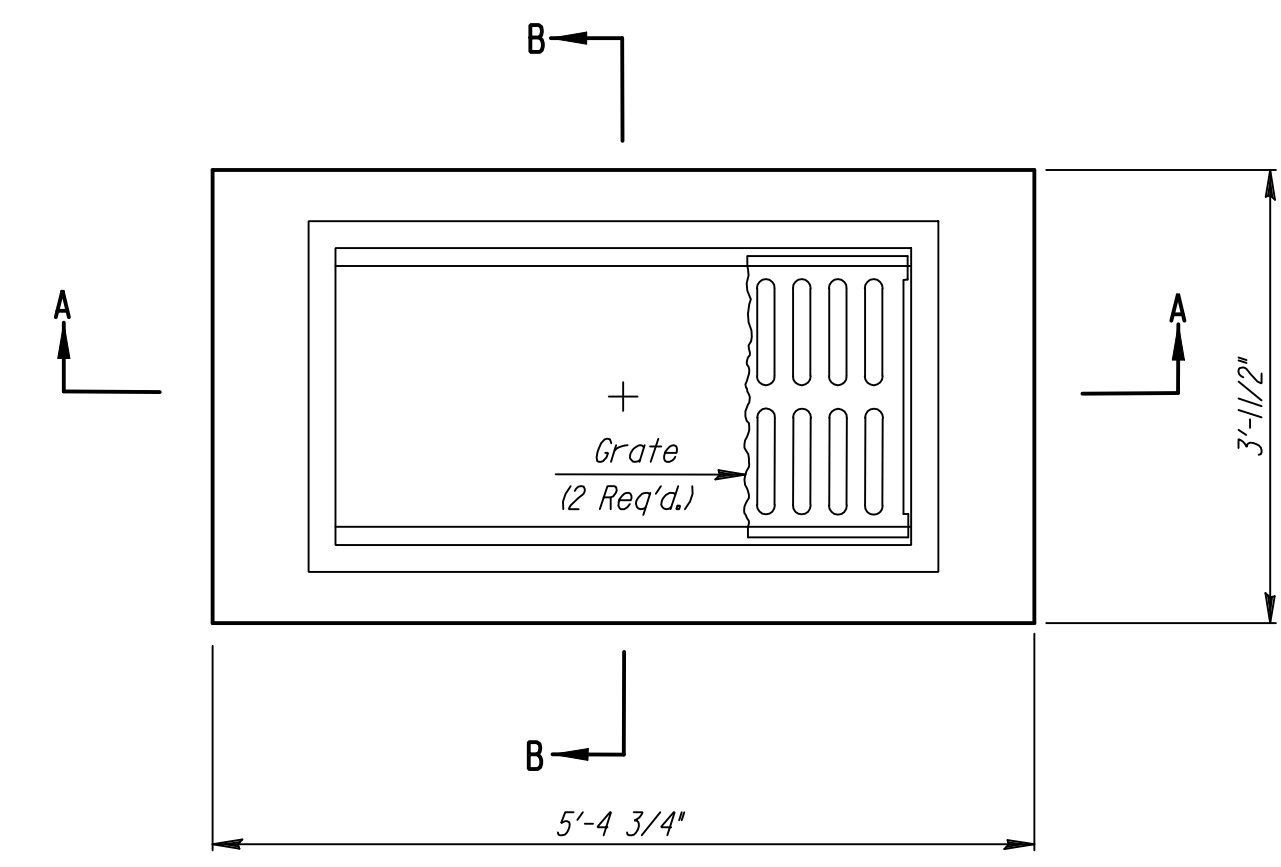
PROJECT NO.	SHEET NO.	TOTAL SHEETS
468-84167	D18	D35



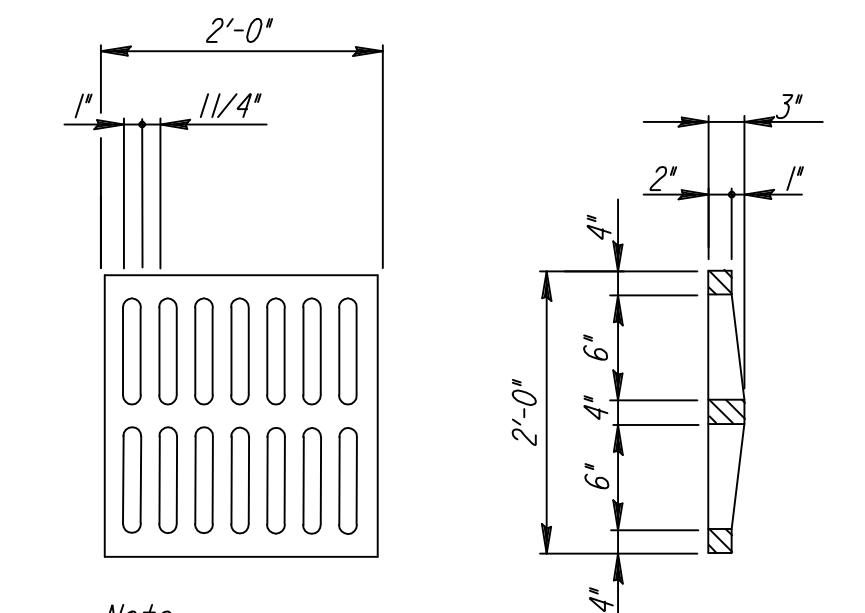
SECTION A-A



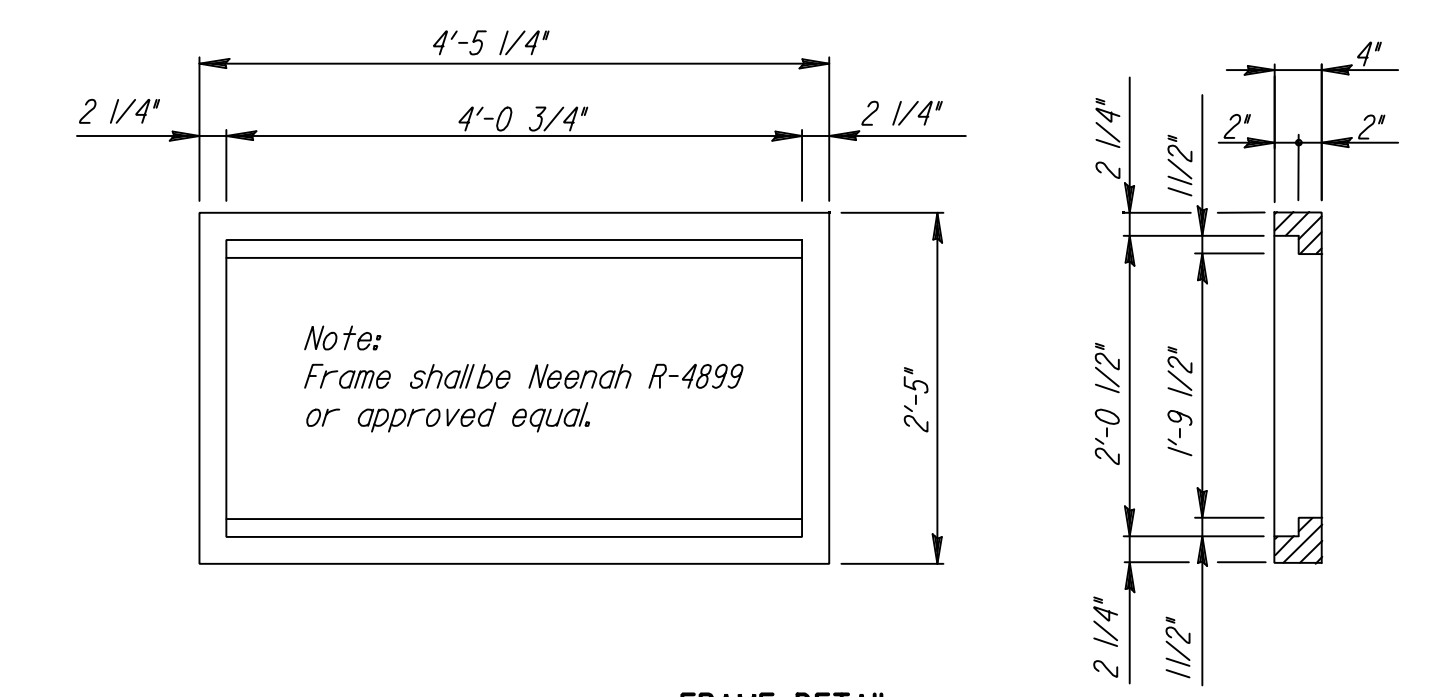
SECTION B-B



PLAN



GRATE DETAIL  
(Wt.=190 lbs.)  
(2 Required)



FRAME DETAIL  
(Wt.=440 lbs.)

Note: Frame to mate with 2 Neenah R-4826 Grates or approved equal.

**GENERAL NOTES**

CONCRETE SHALL HAVE A MINIMUM 28 DAY COMPRESSIVE STRENGTH OF 4000 PSL. ALL PIPES SHALL BE FLUSH CUT PRIOR TO BEING CAST INTO WALLS.

REINFORCING STEEL SHALL BE GRADE 60, A.S.T.M. A615. ALL DIMENSIONS RELATIVE TO PLACEMENT OF REINFORCING ARE TO THE CENTERLINE OF BARS UNLESS OTHERWISE NOTED.

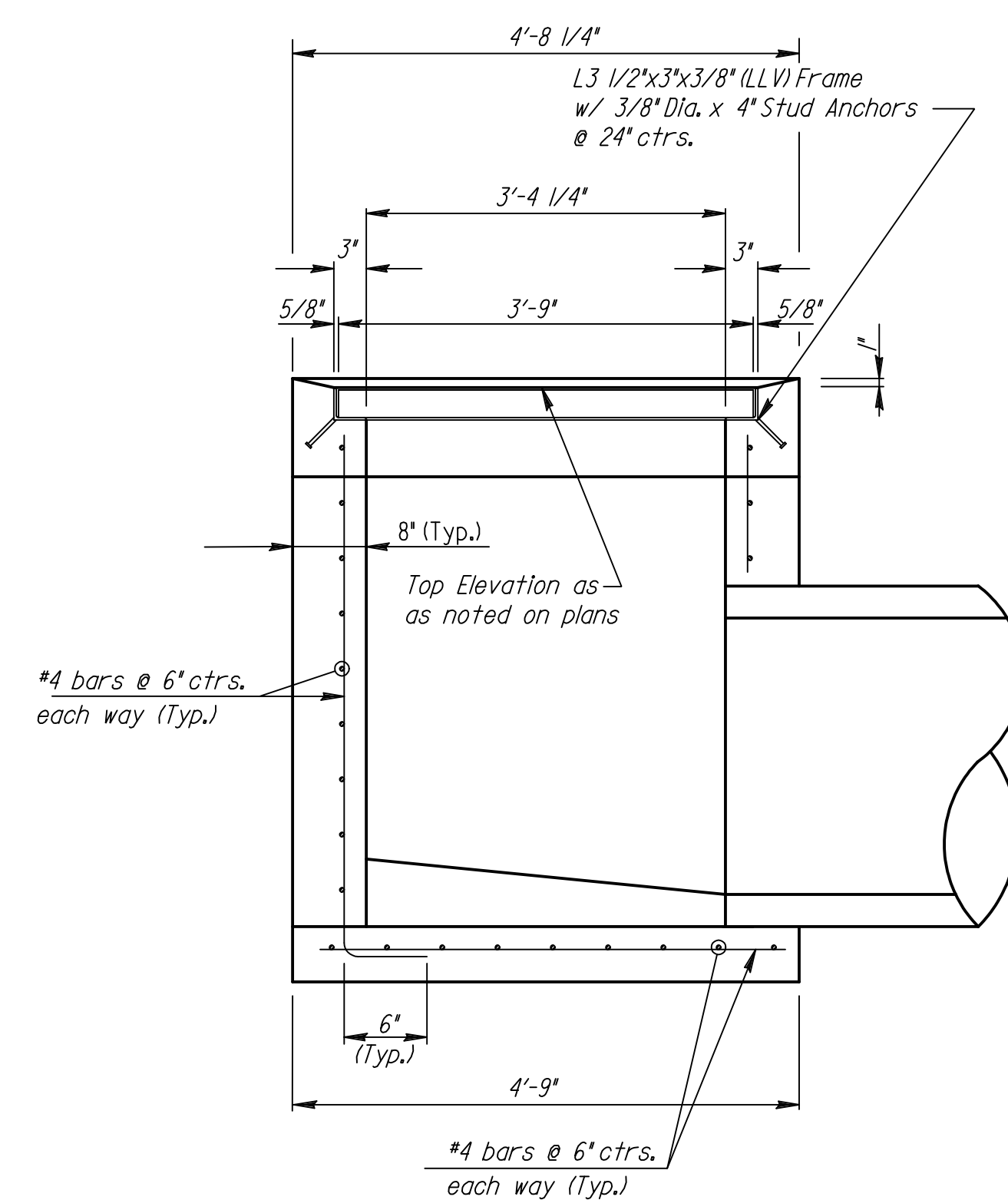
INLET CASTINGS SHALL BE MANUFACTURED USING DUCTILE IRON CONFORMING TO ASTM A536-80 GRADE 65-45-12. DIMENSIONS AND WEIGHTS SHOWN ON THE DETAILED DRAWINGS SHALL BE CONSIDERED AS MINIMUM REQUIREMENTS AND ANY DEVIATIONS FROM THE DIMENSIONS SHOWN MUST BE SPECIFICALLY APPROVED. THE FINISHED CASTINGS SHALL BE OF UNIFORM QUALITY, FREE FROM BLOWHOLES, POROSITY, HARD SPOTS, SHRINKAGE DISTORTIONS OR OTHER DEFECTS.

INLET FLOOR SHALL BE SHAPED WITH UNREINFORCED CONCRETE 18 SACK SAND MIX TO CREATE FLOW CHANNELS AND TO INCREASE HYDRAULIC EFFICIENCY SUCH THAT THE INLET WILL BE SELF CLEANING BETWEEN ALL INLET AND/OR OUTLET PIPES.

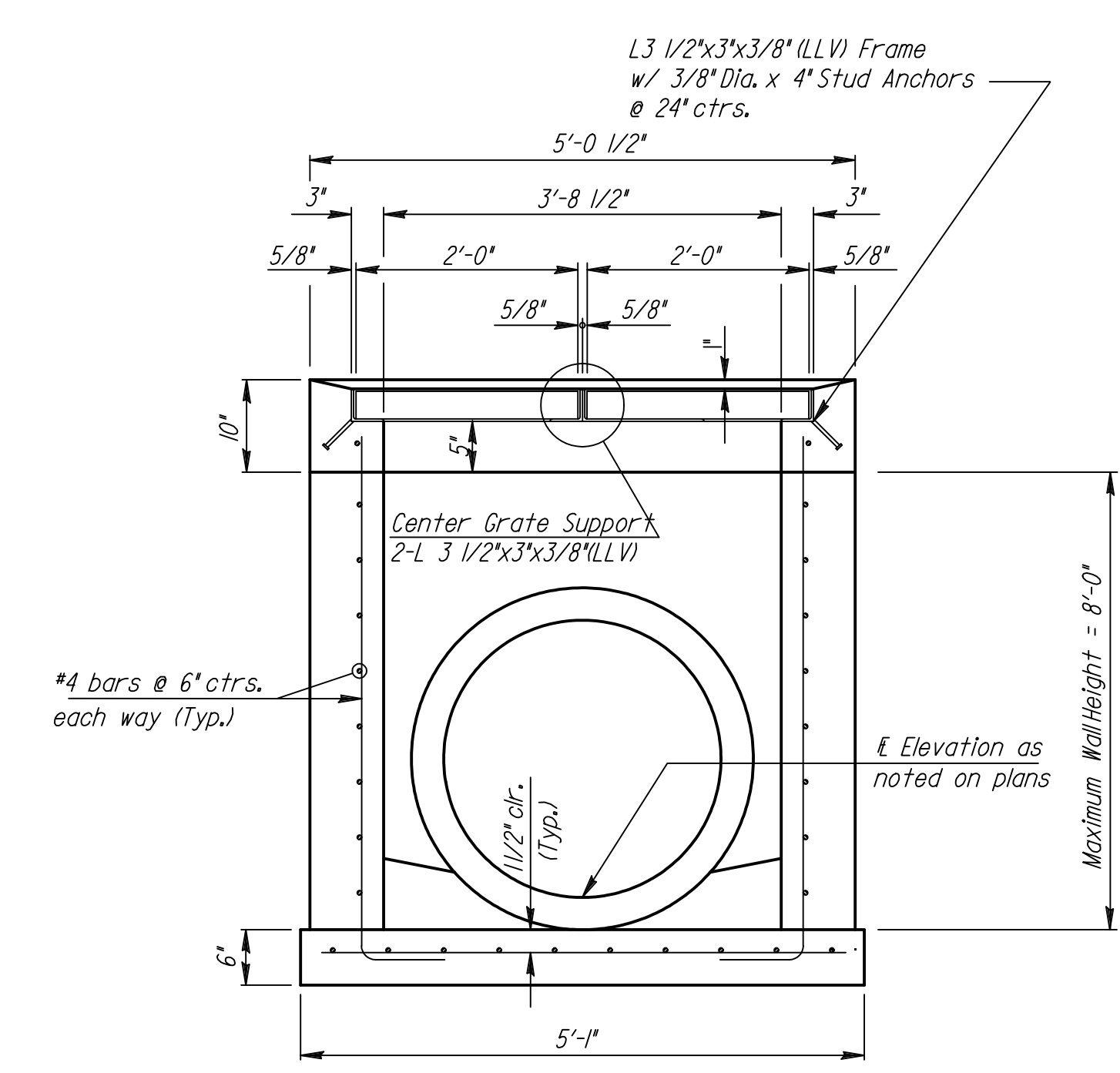
PIPES ENTERING EXISTING STRUCTURE SHALL BE CENTERED ON INSIDE FACE OF WALL.

ALL EXPOSED STRUCTURAL STEEL SHALL BE PAINTED WITH A COAT OF INORGANIC ZINC PRIMER AND THEN WITH A TOP COAT OF OR A FIELD COAT OF ORGANIC ZINC, EACH COAT TO BE 3 TO 4 MILS. STRUCTURAL STEEL USED TO FABRICATE THE SPECIAL AREA INLET FRAME SHALL COMPLY WITH A.S.T.M. A36. WELDING SHALL CONFORM TO THE STRUCTURAL WELDING CODE A.W.S. D11-88.

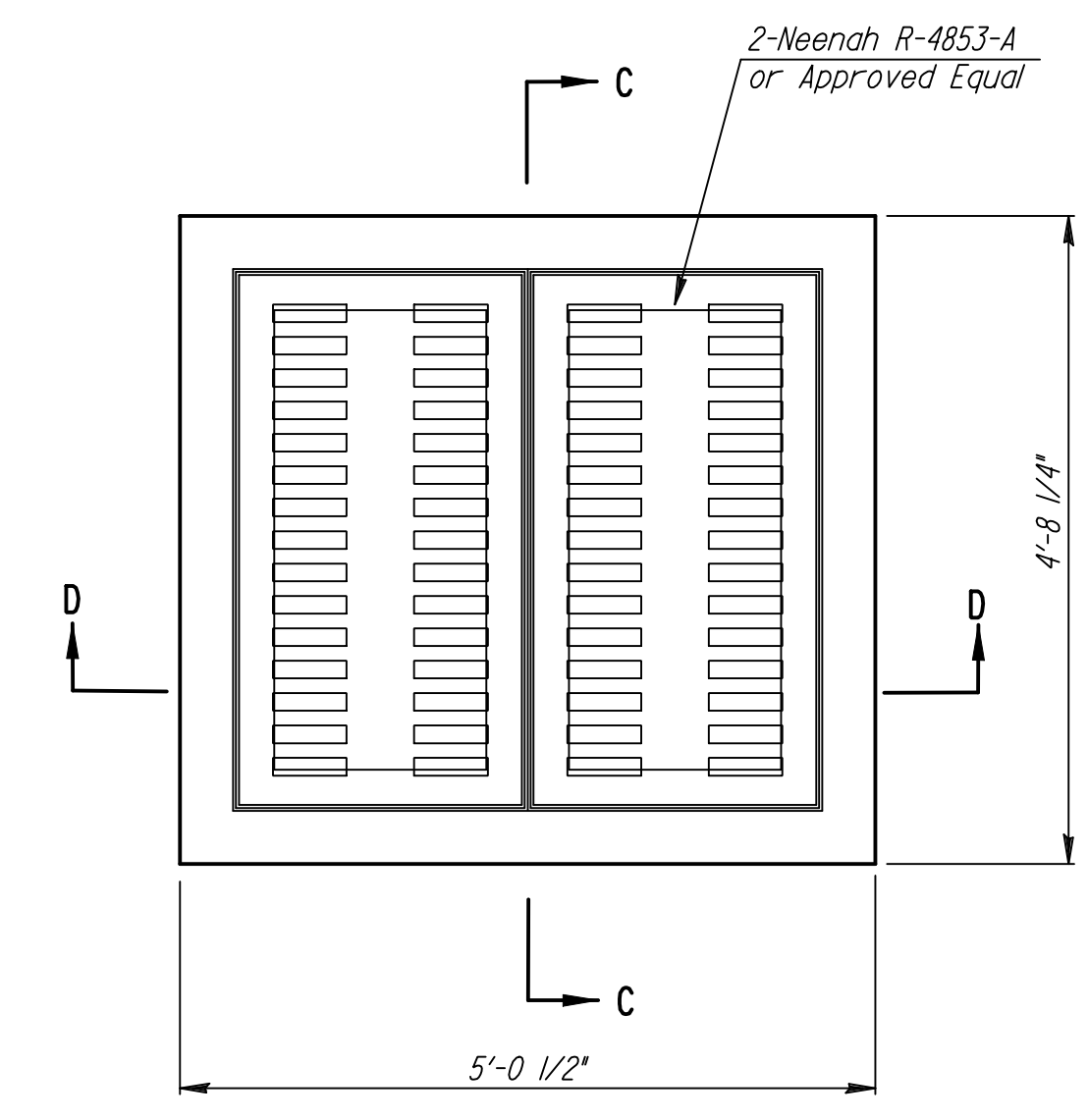
**STANDARD AREA INLET**



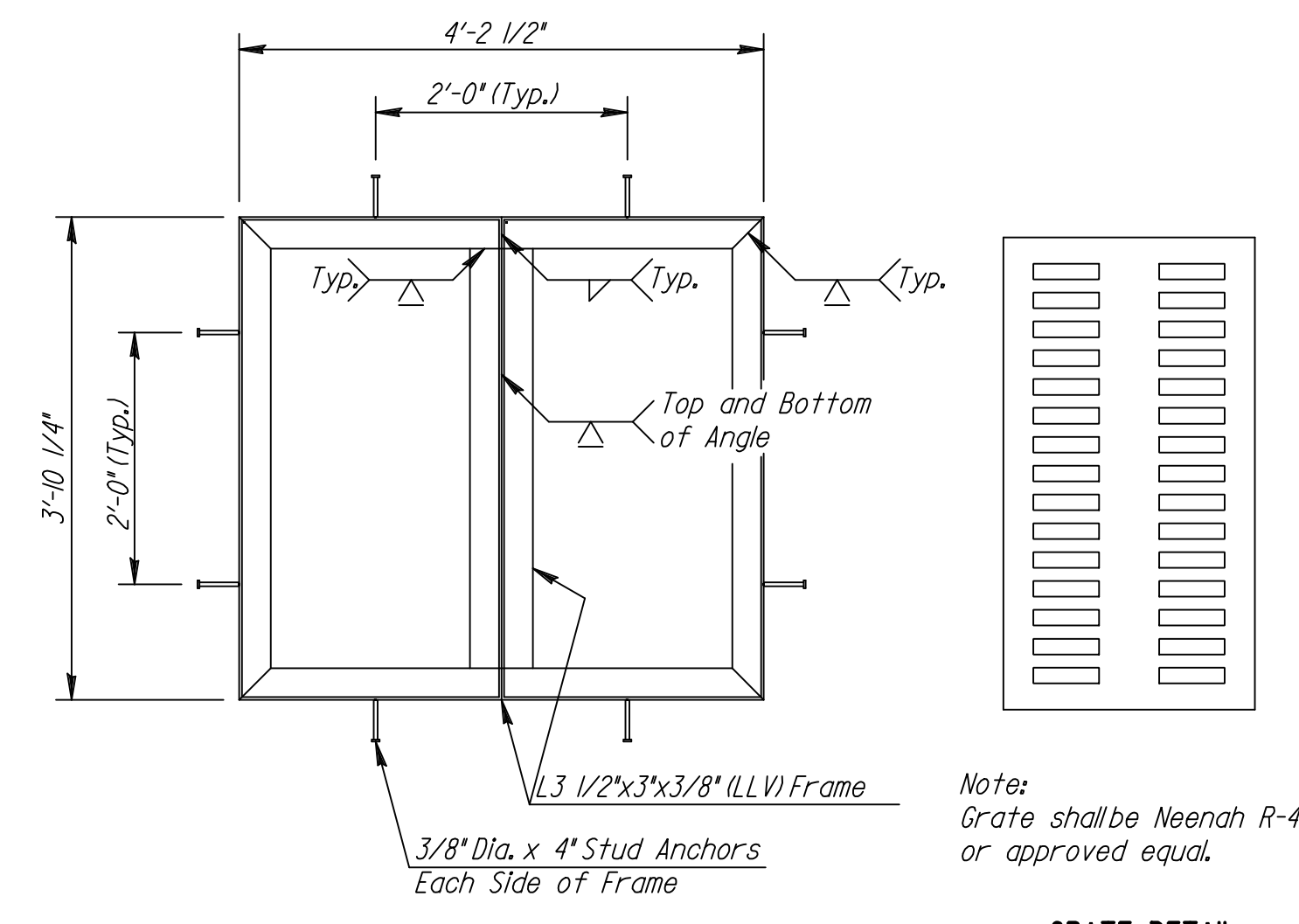
SECTION C-C



SECTION D-D



PLAN



FRAME DETAIL  
(For Special Area Inlet)

Note: Frame to mate with 2 Neenah R-4853-A Grates or approved equal.

GRATE DETAIL  
(Wt.=520 lbs.)  
(2 Required)

Note: Grate shall be Neenah R-4853-A or approved equal.

**SPECIAL AREA INLET**

**AREA INLET**

Professional Engineering Consultants, P.A.  
303 S. TOPEKA • WICHITA, KANSAS 67202  
316-262-2691 • FAX 316-262-3003

Designed by	BER	Checked by	
Drawn by	DEP	Date	Feb., 2007
		Job No.	06237

PLOTED: 10-30-2006 dfp  
L:\2006\06237\STANDARDS\06237-000-DBLAREA\INLET.DGN