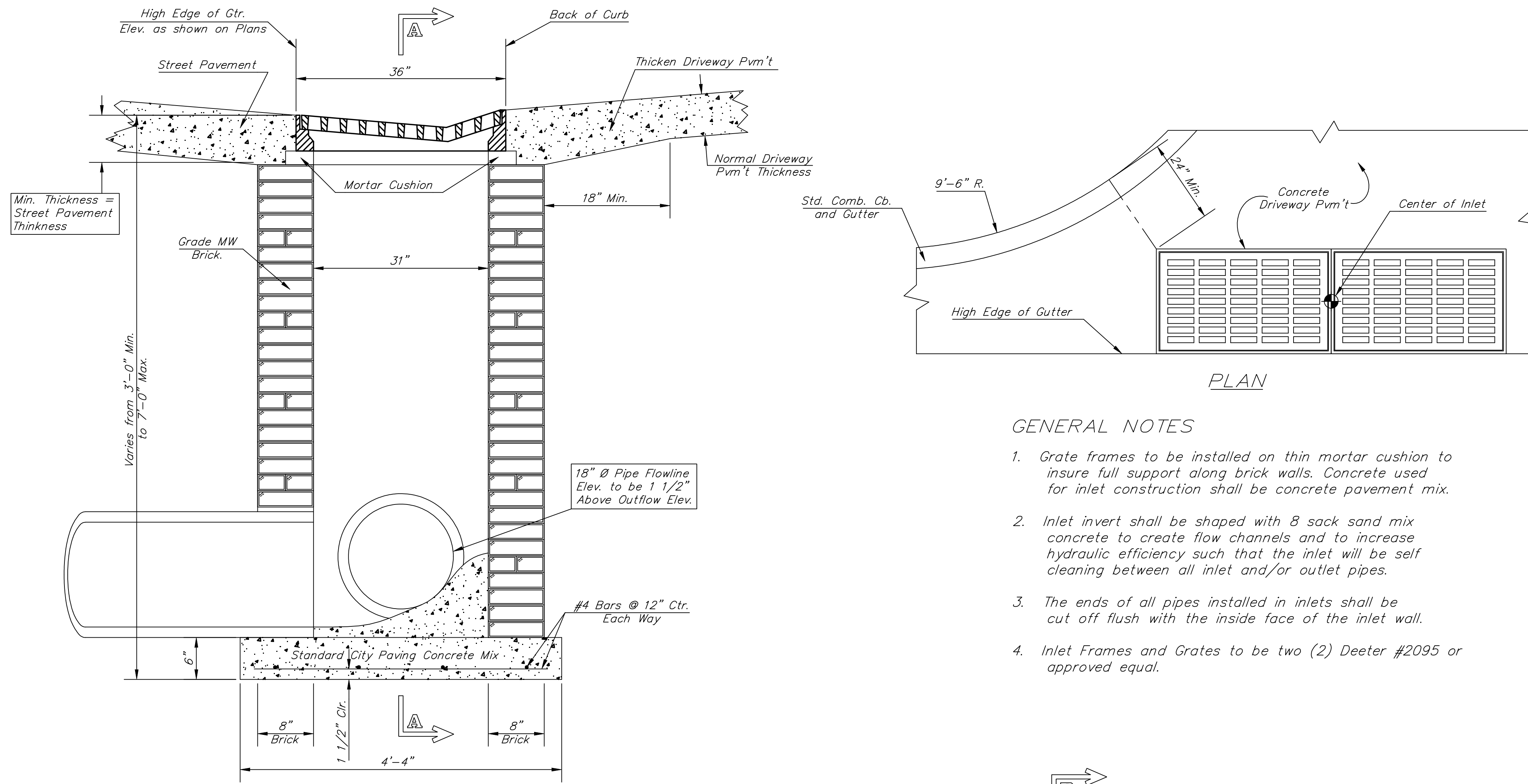


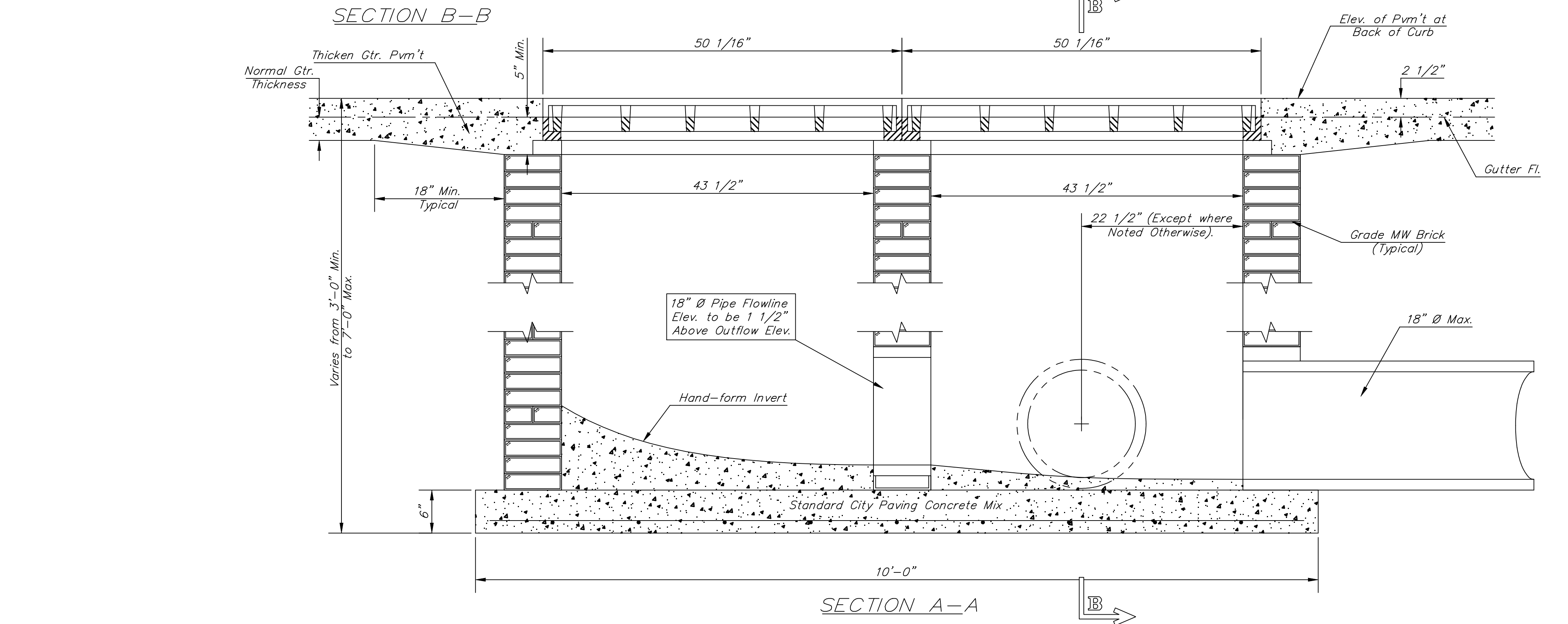
PLOTTED: 10-27-2006 DRP
 I:/2006/06237/STANDARDS/06237-000-Drive Inlet Dbl.dgn



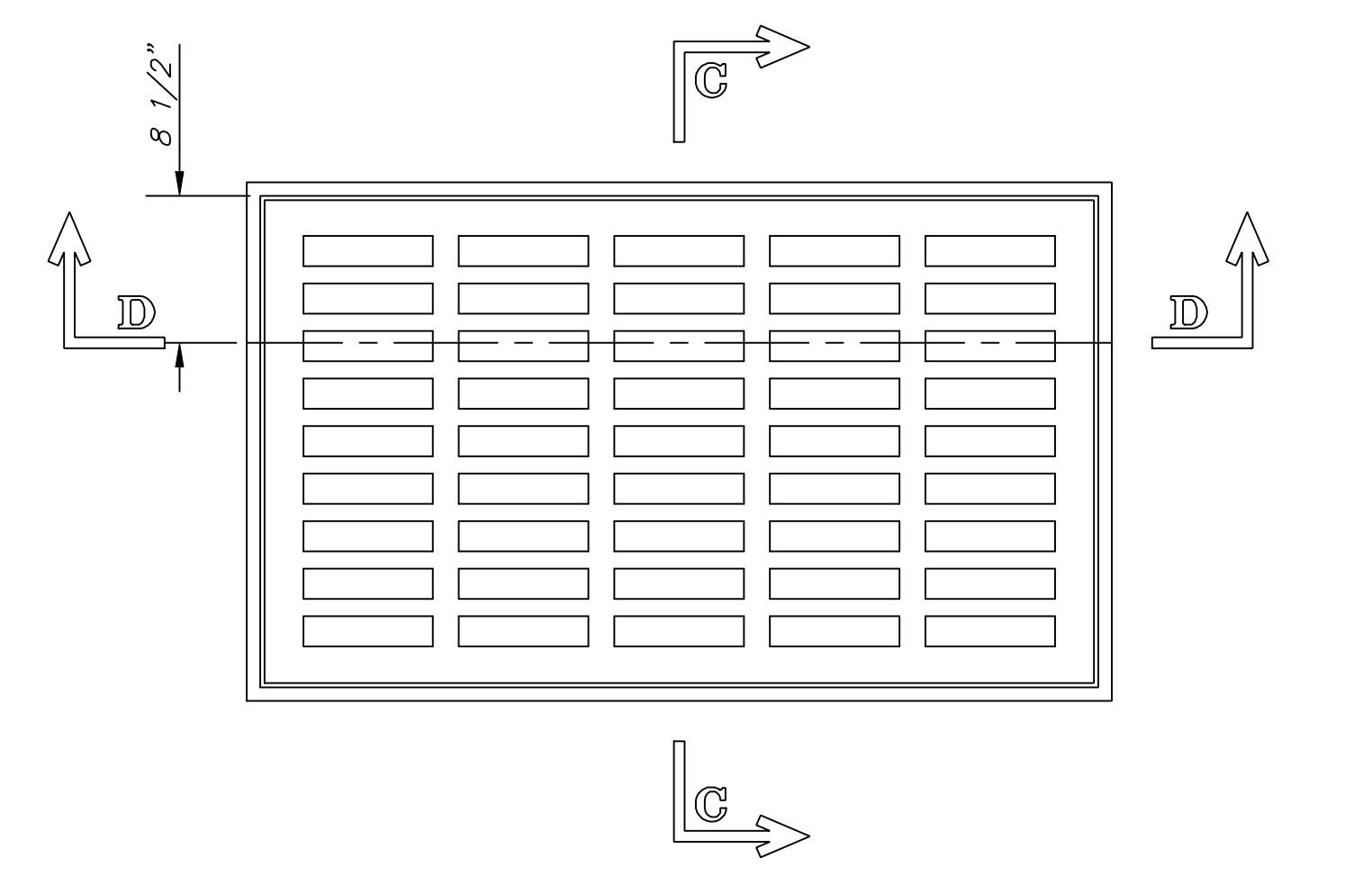
PLAN

GENERAL NOTES

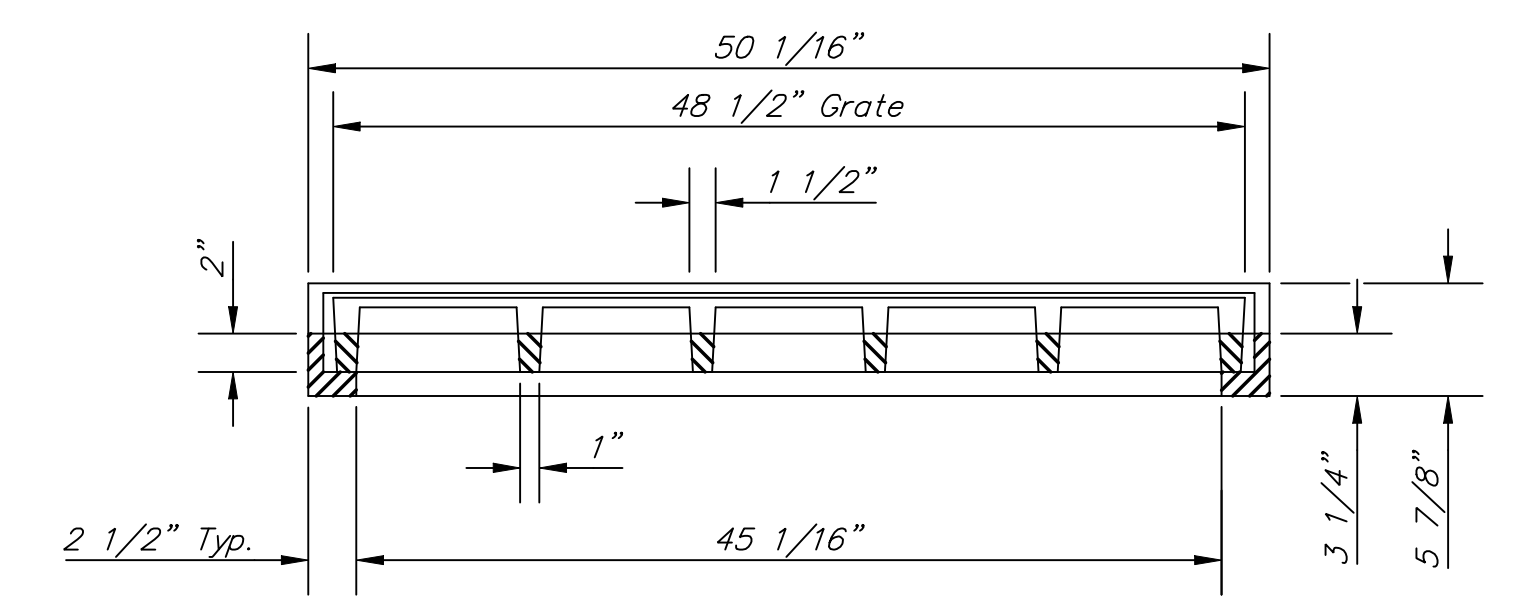
1. Grate frames to be installed on thin mortar cushion to insure full support along brick walls. Concrete used for inlet construction shall be concrete pavement mix.
2. Inlet invert shall be shaped with 8 sack sand mix concrete to create flow channels and to increase hydraulic efficiency such that the inlet will be self cleaning between all inlet and/or outlet pipes.
3. The ends of all pipes installed in inlets shall be cut off flush with the inside face of the inlet wall.
4. Inlet Frames and Grates to be two (2) Deeter #2095 or approved equal.



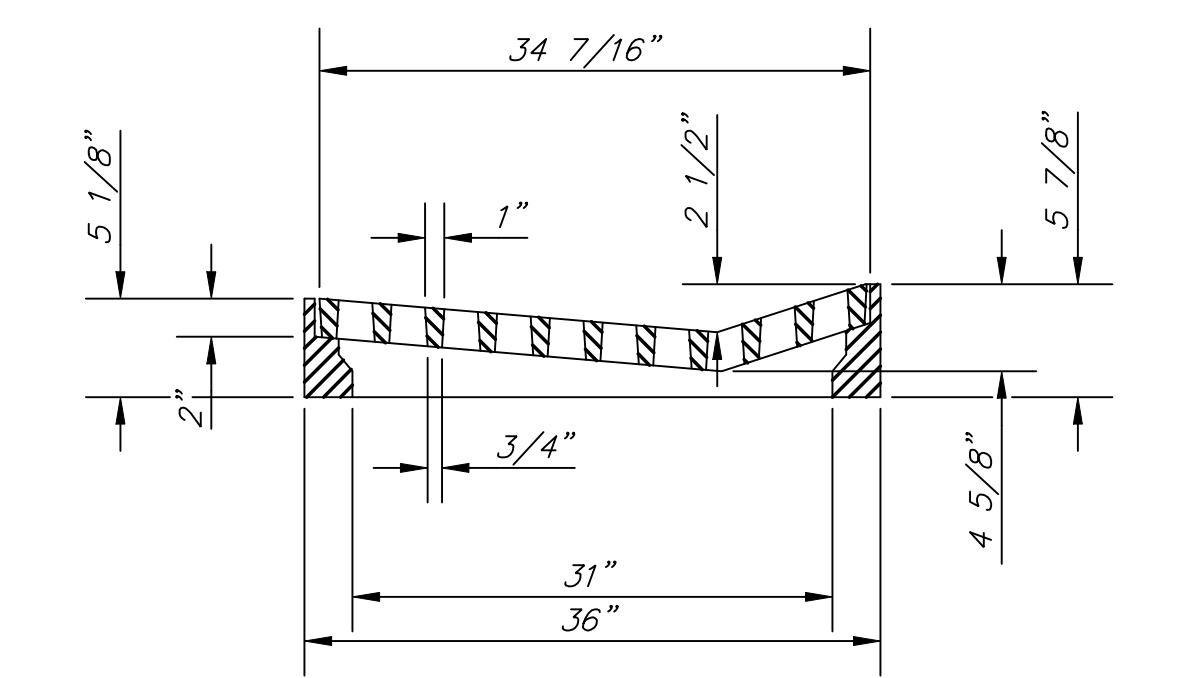
SECTION A-A



PLAN



SECTION D-D



SECTION C-C

DEETER #2095 FRAME & GRATE
 TOTAL WEIGHT: 705 lbs.
 (2 Each Required)

<p>THE CITY OF WICHITA</p> <p>CITY ENGINEER'S OFFICE CITY HALL - SEVENTH FLOOR 455 NORTH MAIN STREET WICHITA, KANSAS 67202 (316) 268-4501 (316) 268-4114 FAX</p>	DRIVEWAY GRATED INLET DOUBLE	
	JAMES L. ARMOUR P.E. - CITY ENGINEER	
	PROJECT NUMBER 468-84167	INDEX CODE 751422
	DATE MAR 96	SHEET D20 OF D35