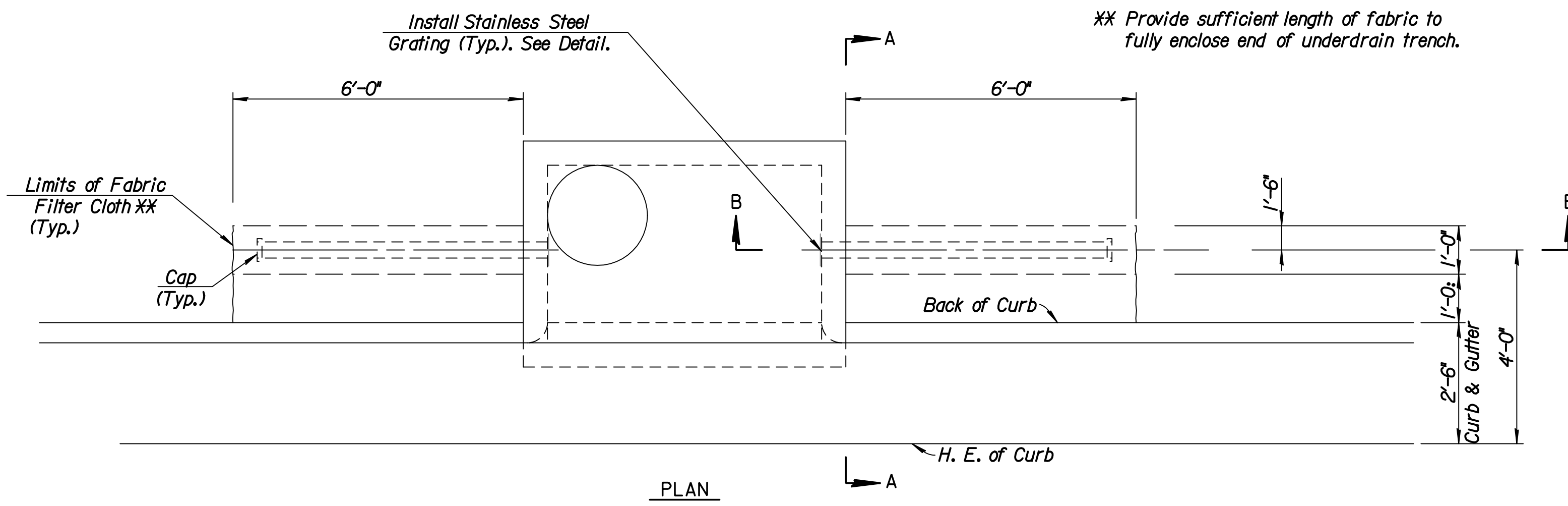
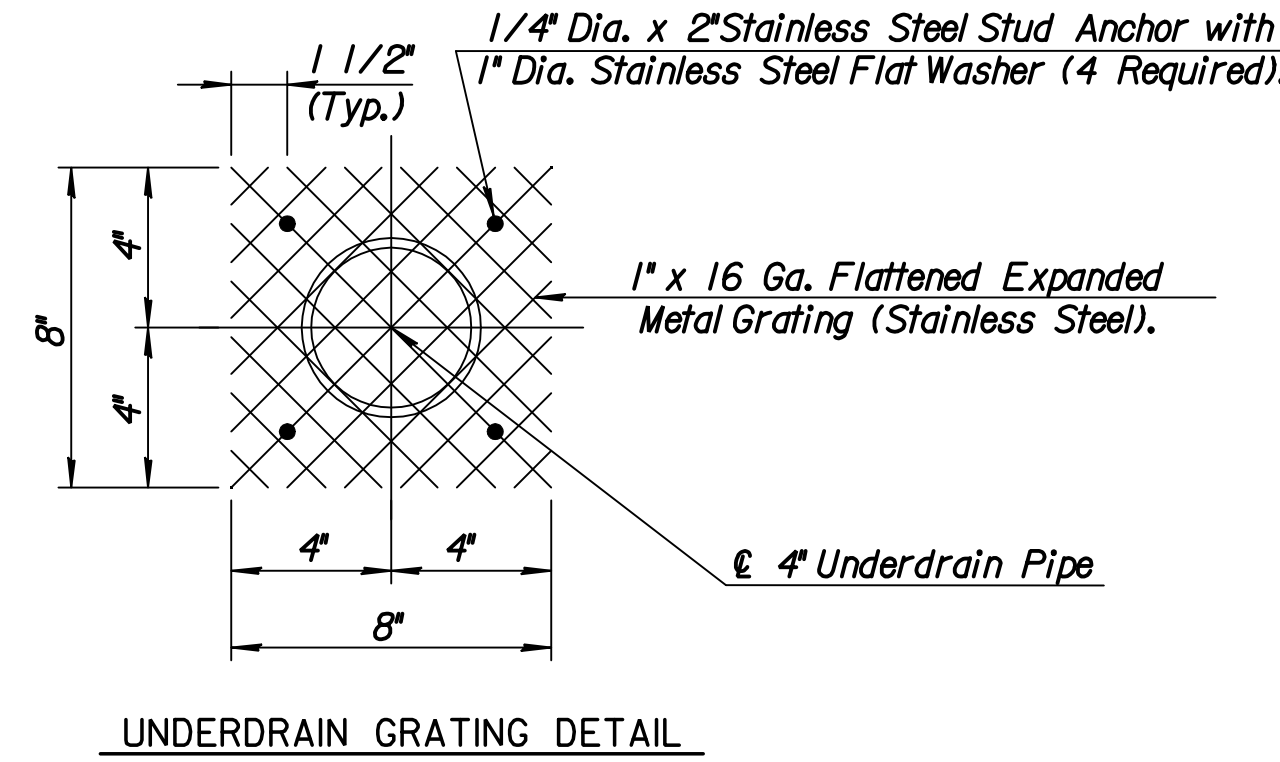
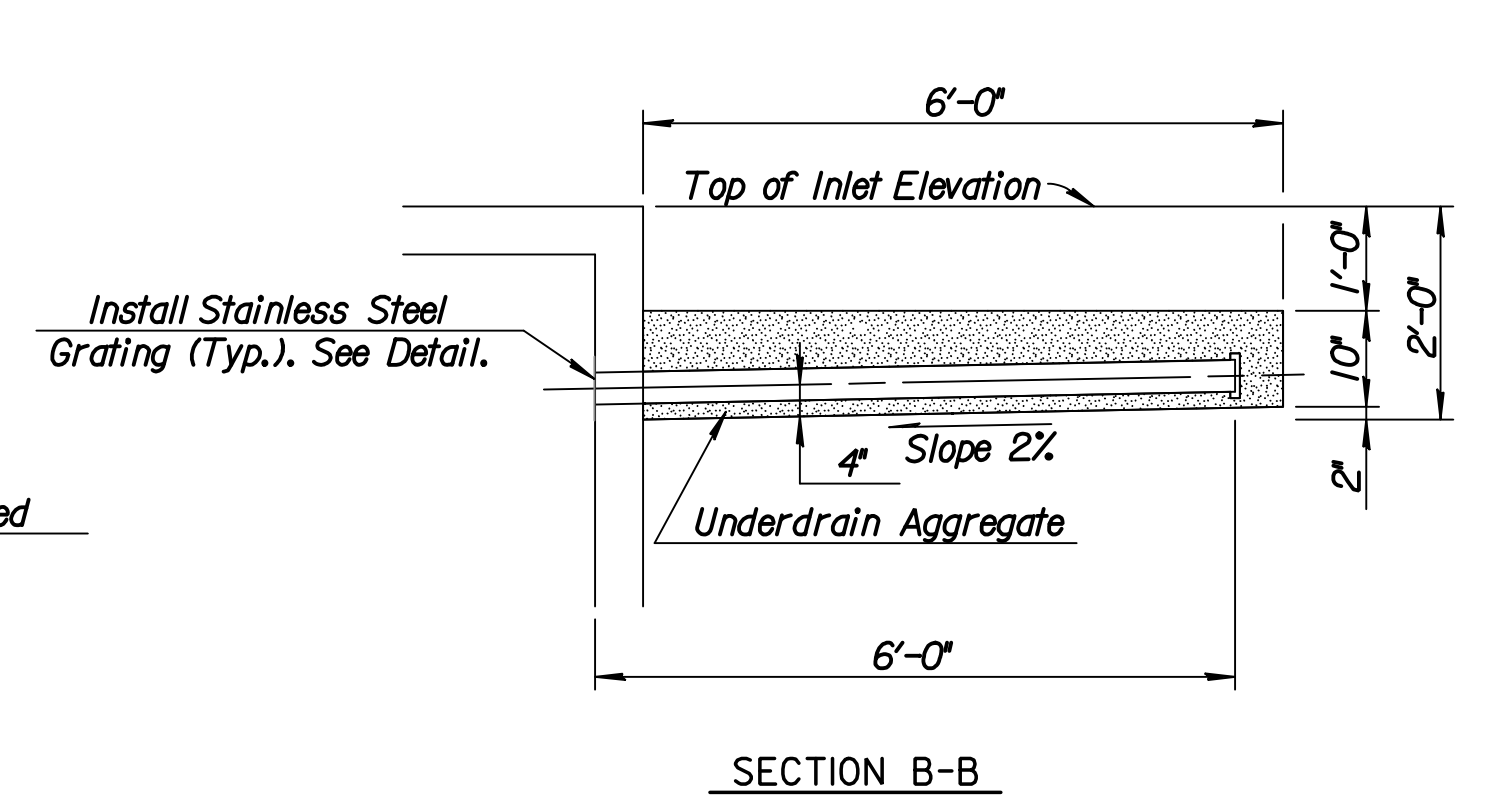
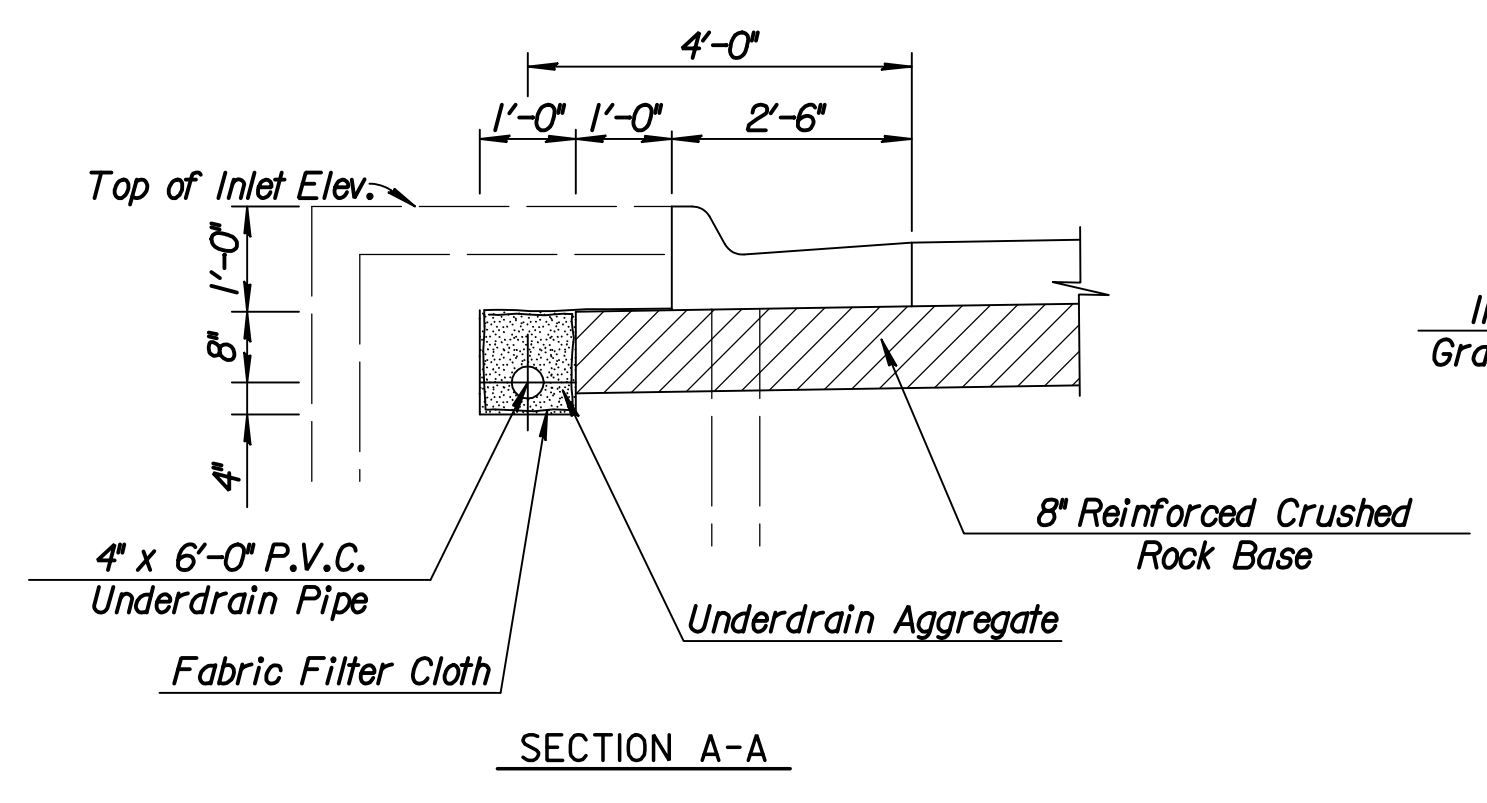


DSNR: JPS OPER: DRP SCALE: 1:2006/06237/STANDARDS/06237-000-UNDERDRAIN.DGN 10-18-2006 7:00:00 LAST REV: 0-00-2006 BY:



** Provide sufficient length of fabric to fully enclose end of underdrain trench.



UNDERDRAIN DETAILS AT CURB INLET LOCATIONS

GENERAL NOTES

1. Underdrain pipe shall be perforated Polyvinyl Chloride Pipe conforming to the requirements of ASTM F-758.
2. Pipe shall be placed so that the perforations are positioned on the bottom of the pipe.
3. Underdrain aggregate shall be type BD-1 per KDOT Standard Specifications Section 1108.
4. Provide sufficient length of filter fabric to completely enclose the underdrain aggregate on all sides.
5. Fabric filter cloth shall extend at least to the back of curb to cover the Reinforced Crushed Rock Base. The cloth may extend under the curb and gutter.
6. Underdrain shall be measured and paid for at the contract unit price bid per lineal foot for "Underdrains" and shall be full compensation for all materials, labor, equipment and incidentals necessary to complete the work as shown on this sheet.

Underdrains shall be located on the upstream side of curb inlets on grade and on both sides of curb inlets in sump conditions.

No.	Revision	By	Date
WATERMAN UNDERDRAIN DETAILS JAMES L. ARMOUR, P.E.—CITY ENGINEER CITY OF WICHITA PROJECT NO. 468-84167 Professional Engineering Consultants, P.A. 303 S. TOPEKA • WICHITA, KANSAS 67202 316-262-2691 • FAX 316-262-3003			
Designed by	Job No.	06237	
Drawn by	Date	Feb., 2007	
			Sht. 021 of D35

