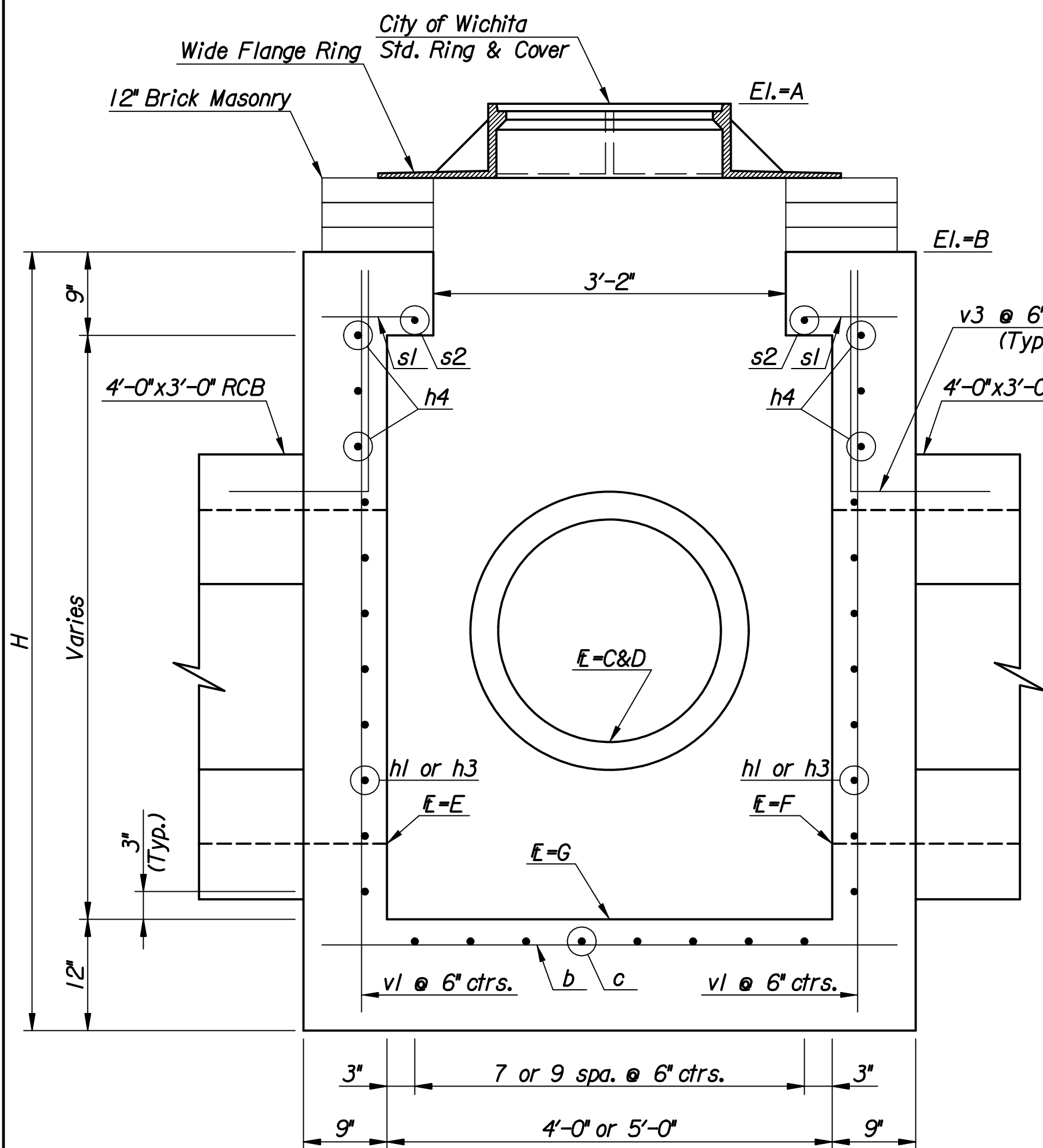
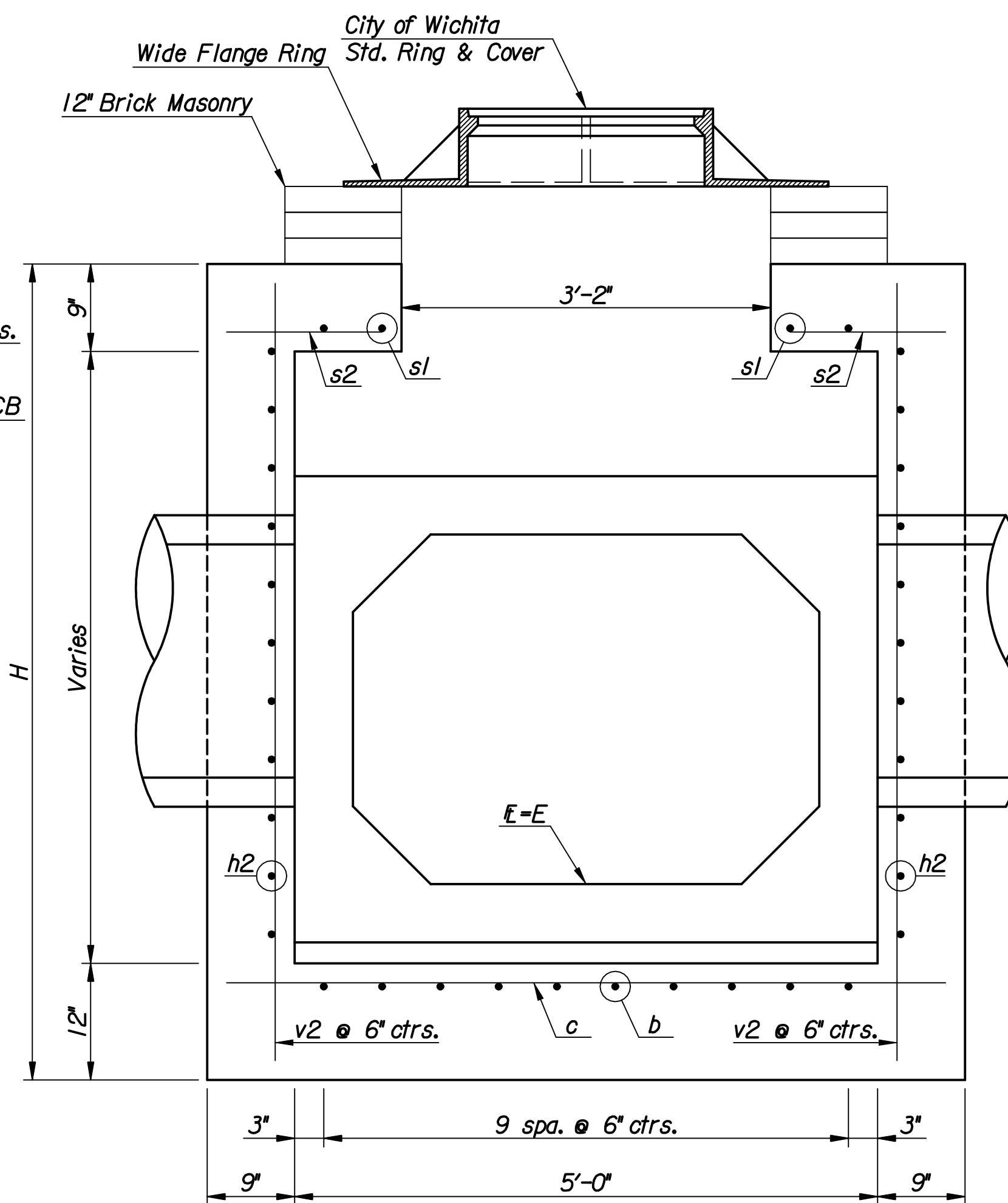


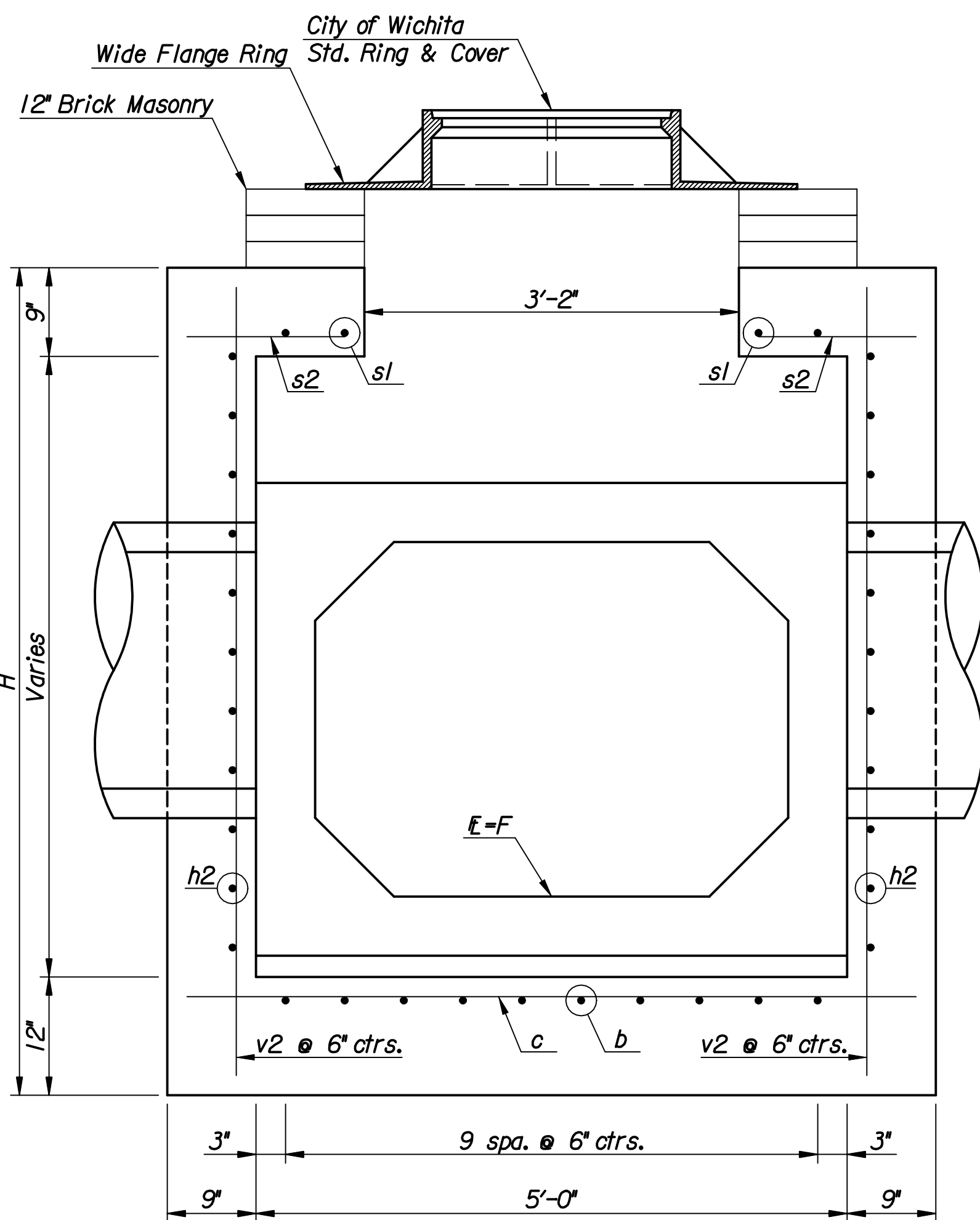
DSNR: /2006/06237/DETAILS06237-000-MH216-214-212-204-202DTL.DGN 10-16-2006 06:30:00 LAST REV: 10-20-2006 BY: DRP
 RAS OPER: DRP SCALE: 1/4"=1'-0"
 WATERMAN STREET



SECTION A-A



SECTION B-B



SECTION C-C

BILL OF REINFORCING STEEL FOR SWS204
Grade 60

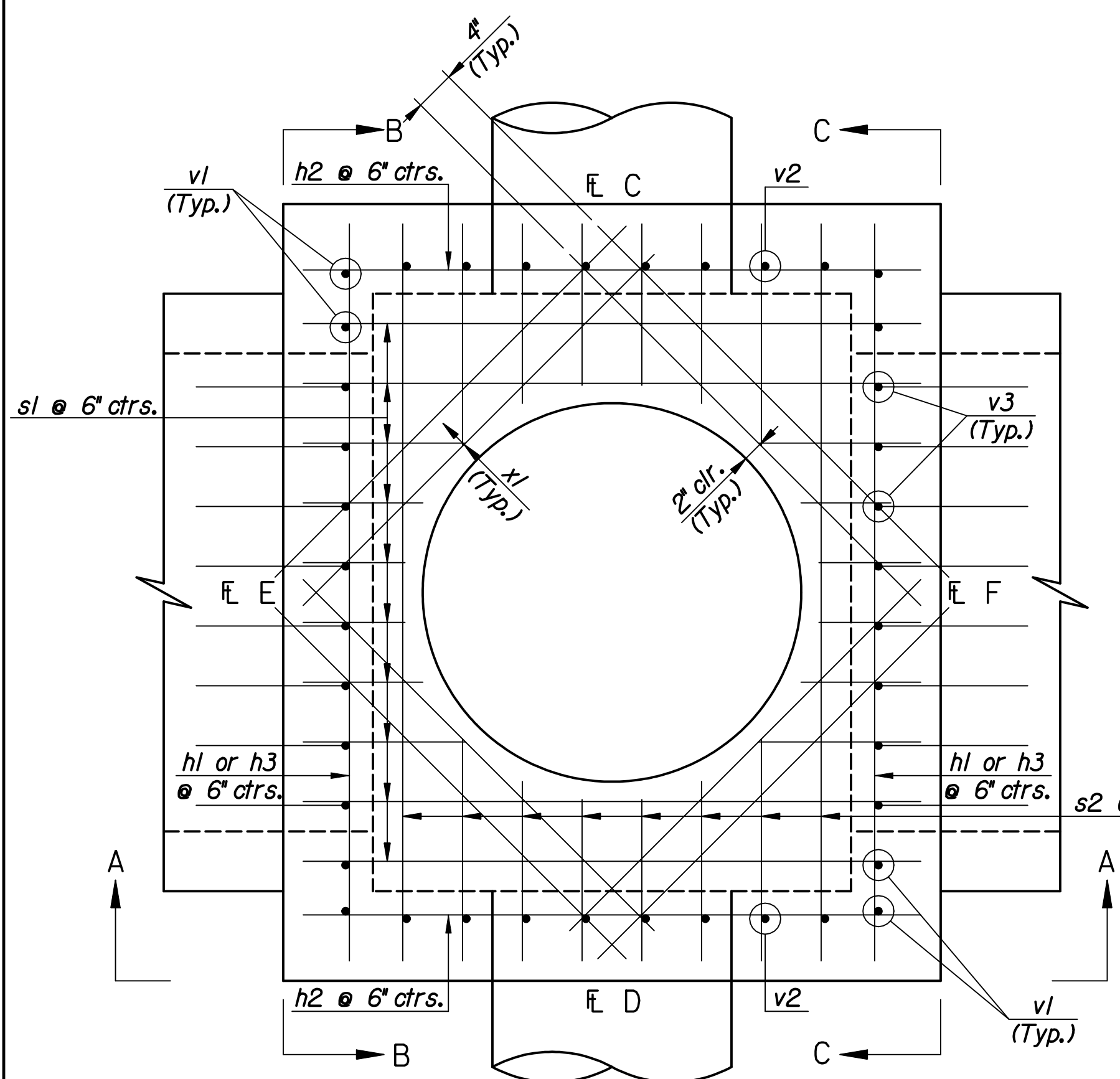
Straight Bars				Bent Bars			
Mark	Size	Number	Length	Mark	Size	Number	Length
b	5	10	5'-2"	v3	4	16	3'-3" †*
c	5	8	6'-2"				
v1	4	8	7'-11"				
v2	4	16	7'-11"				
h1	4	2	6'-2"				
h2	4	26	5'-2"				
h3	4	28	11"				
h4	6	10	6'-2"				
s1	5	10	5'-2"				
s2	5	8	6'-2"				
x1	5	8	4'-2"				

* See Bending Diagram
 Note: Provide 2" end and edge clearance (Typ.)

BILL OF REINFORCING STEEL FOR SWS202
Grade 60

Straight Bars				Bent Bars			
Mark	Size	Number	Length	Mark	Size	Number	Length
b	5	10	6'-2"	v3	4	8	3'-3" †*
c	5	8	6'-2"				
v1	4	16	7'-5"				
v2	4	16	7'-5"				
h1	4	2	6'-2"				
h2	4	24	6'-2"				
h3	4	28	11"				
h4	6	8	6'-2"				
s1	5	10	5'-2"				
s2	5	10	6'-2"				
x1	5	8	4'-2"				

* See Bending Diagram
 Note: Provide 2" end and edge clearance (Typ.)



PLAN

See Sh. No. D22 for additional information.
 Floor reinforcing not shown for clarity.

BILL OF REINFORCING STEEL FOR SWS216
Grade 60

Straight Bars				Bent Bars			
Mark	Size	Number	Length	Mark	Size	Number	Length
b	5	10	5'-2"	v3	4	8	3'-3" †*
c	5	8	6'-2"				
v1	4	16	6'-8"				
v2	4	16	6'-8"				
h1	4	12	6'-2"				
h2	4	22	5'-2"				
h3	4	14	11"				
h4	6	3	6'-2"				
s1	5	10	5'-2"				
s2	5	8	6'-2"				
x1	5	8	4'-2"				

* See Bending Diagram
 Note: Provide 2" end and edge clearance (Typ.)

BILL OF REINFORCING STEEL FOR SWS214
Grade 60

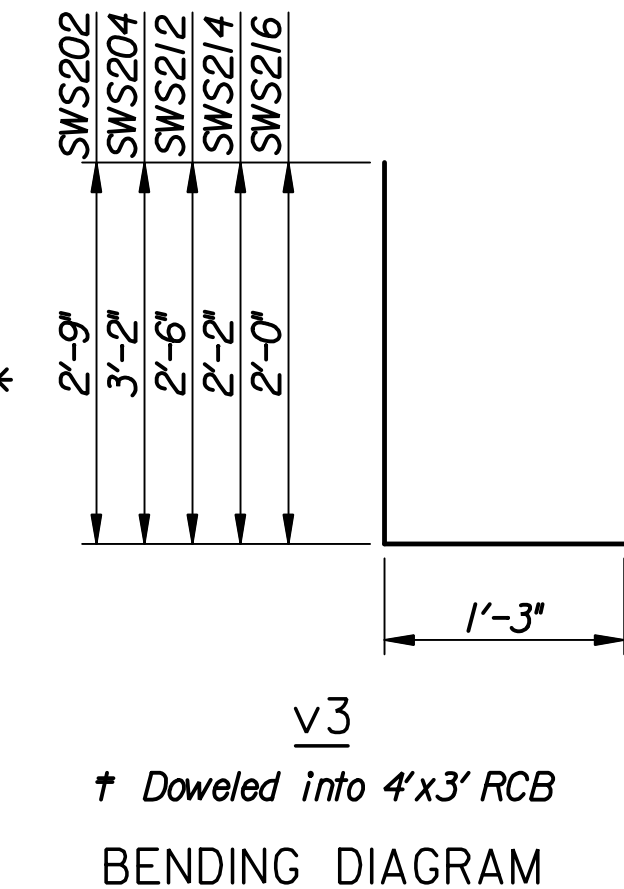
Straight Bars				Bent Bars			
Mark	Size	Number	Length	Mark	Size	Number	Length
b	5	10	5'-2"	v3	4	16	3'-3" †*
c	5	8	6'-2"				
v1	4	8	6'-11"				
v2	4	16	6'-11"				
h1	4	2	6'-2"				
h2	4	22	5'-2"				
h3	4	28	11"				
h4	6	6	6'-2"				
s1	5	10	5'-2"				
s2	5	8	6'-2"				
x1	5	8	4'-2"				

* See Bending Diagram
 Note: Provide 2" end and edge clearance (Typ.)

BILL OF REINFORCING STEEL FOR SWS212
Grade 60

Straight Bars				Bent Bars			
Mark	Size	Number	Length	Mark	Size	Number	Length
b	5	10	5'-2"	v3	4	16	3'-3" †*
c	5	8	6'-2"				
v1	4	8	7'-2"				
v2	4	16	7'-2"				
h1	4	2	6'-2"				
h2	4	24	5'-2"				
h3	4	28	11"				
h4	6	8	6'-2"				
s1	5	10	5'-2"				
s2	5	8	6'-2"				
x1	5	8	4'-2"				

* See Bending Diagram
 Note: Provide 2" end and edge clearance (Typ.)

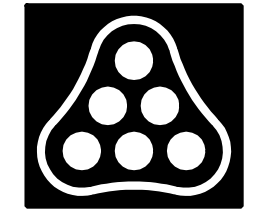


† Doweled into 4'x3' RCB
 BENDING DIAGRAM

MANHOLE DATA

Number	Sta.	Size	Elev. A	Elev. B	E C	E D	E E	E F	Elev. G	H
SWS216	126+49	5.5'x6.5'	1,295.86	1,295.11	1,291.77 (Exist. 24")	—	—	1,289.79 (4'x3')	1,289.11	7.0'
SWS214	127+34	5.5'x6.5'	1,296.47	1,295.22	1,291.90 24"	—	1,289.71 (4'x3')	1,289.71 (4'x3')	1,288.97	7.25'
SWS212	127+93	5.5'x6.5'	1,296.73	1,295.48	—	1,292.24 (24")	1,289.65 (4'x3')	1,289.65 (4'x3')	1,288.98	7.5'
SWS204	130+34	5.5'x6.5'	1,297.17	1,295.92	1,291.37 (18")	1,291.41 (24")	1,289.41 (4'x3')	1,289.41 (4'x3')	1,288.67	8.25'
SWS202	132+30	6.5'x6.5'	1,296.53	1,295.28	1,292.09 (24)	1,289.21 (24")	1,289.21 (4'x3')	1,289.21 (4'x3')	1,288.53	7.75'

† See Sh. No. D32 for Manhole Plug



No. _____ Revision _____ By _____ Date _____
REINFORCED CONCRETE MANHOLES
 MANHOLES - SWS216, SWS214,
 SWS212, SWS204 AND SWS202
 JAMES L. ARMOUR, P.E. - CITY ENGINEER
 CITY OF WICHITA PROJECT NO. 468-84167
Professional Engineering Consultants, P.A.
 303 S. TOPKA • WICHITA, KANSAS 67202
 316-262-2691 • FAX 316-262-3003
 Designed by DRP Job No. 06237
 Drawn by RAS Date Feb., 2007 Sht. D24 of D35