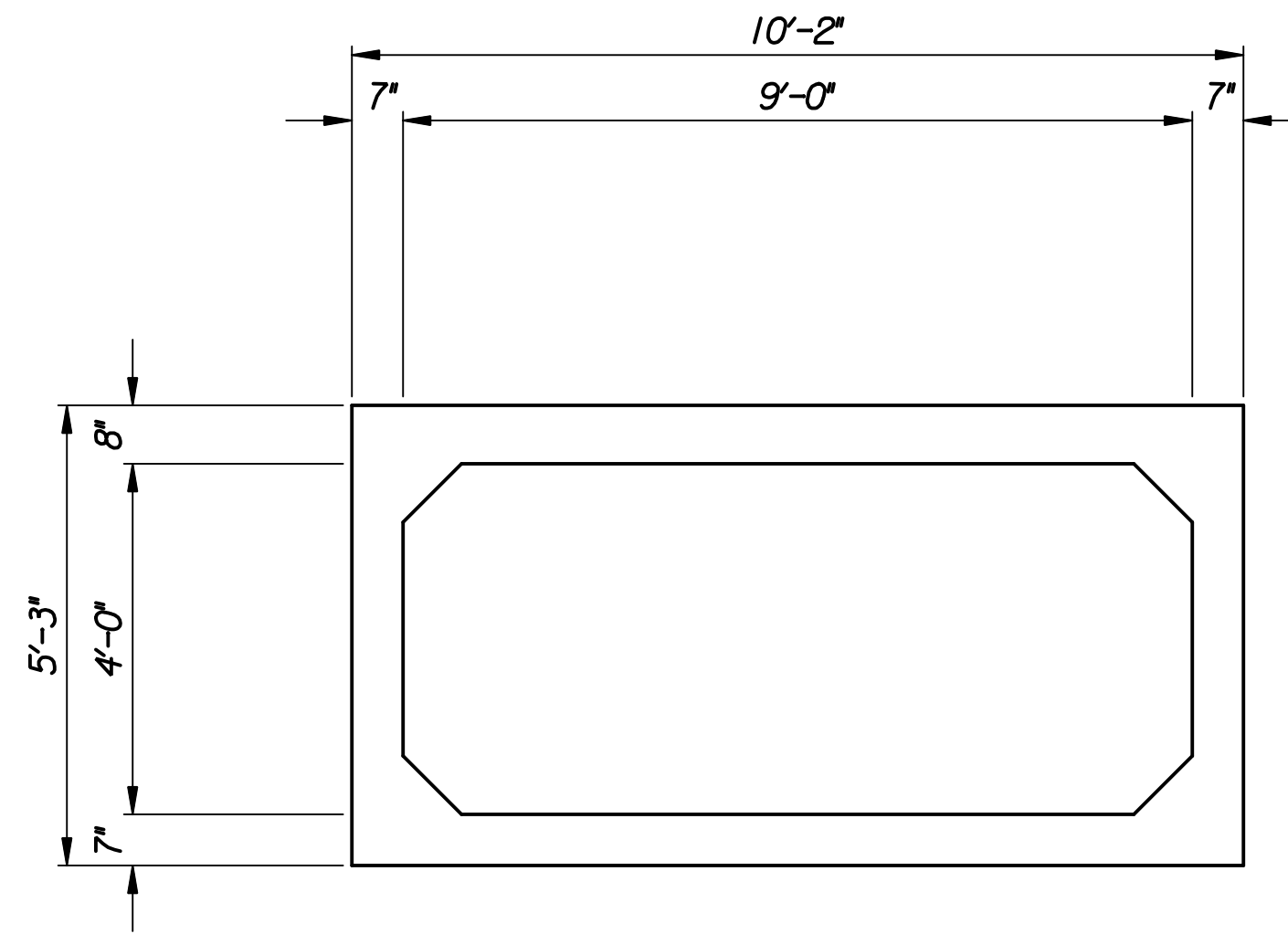
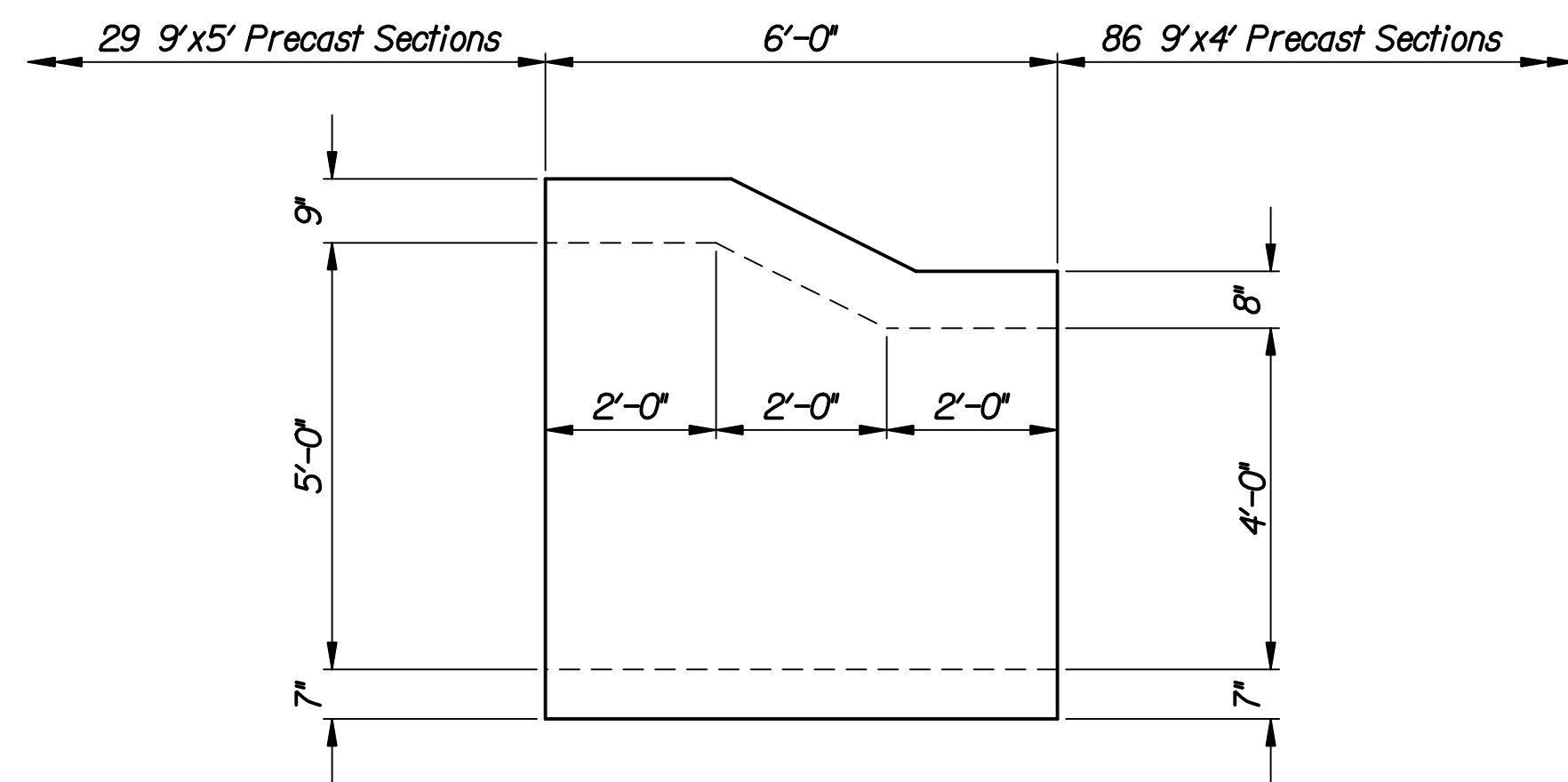


TYPICAL SECTION
(9'-0" x 5'-0" R.C.B.)



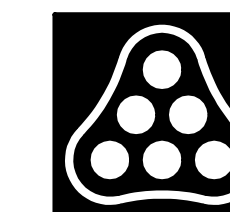
TYPICAL SECTION
(9'-0" x 4'-0" R.C.B.)



ELEVATION

PAYMENT: The 9'x5' to 9'x4' R.C.B. Transition shall be paid for as 9'x5' R.C.B.

Plotted: 10-27-2006 drp
Plot Scale: 1"=2'
I:\2005\05493-2\Waterman\05493-002-RCB Trans1.dgn



No.	Revision	By	Date
DOWNTOWN ARENA SWD OUTFALL PHASE 2 - WATERMAN PORTION			
9'x5' TO 9'x4' R.C.B. TRANSITION			
JAMES L. ARMOUR, P.E. - CITY ENGINEER CITY OF WICHITA PROJECT NO. 468-84167			
Professional Engineering Consultants, P.A. 303 S. TOPEKA • WICHITA, KANSAS 67202 316-262-2691 • FAX 316-262-3003			
Designed by	MSN	Job No.	32-05493-2-42
Drawn by	MSN	Date	Feb., 2007