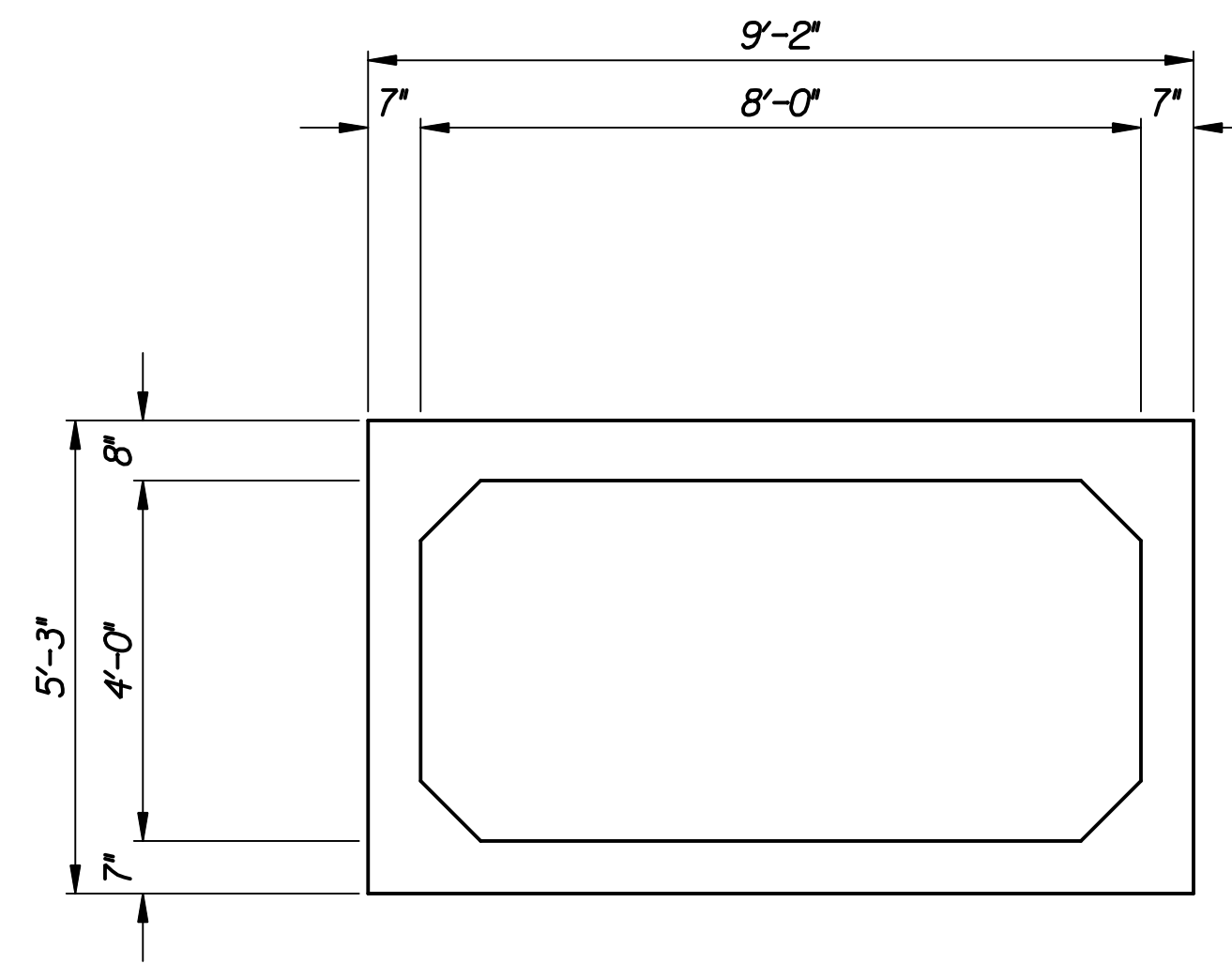
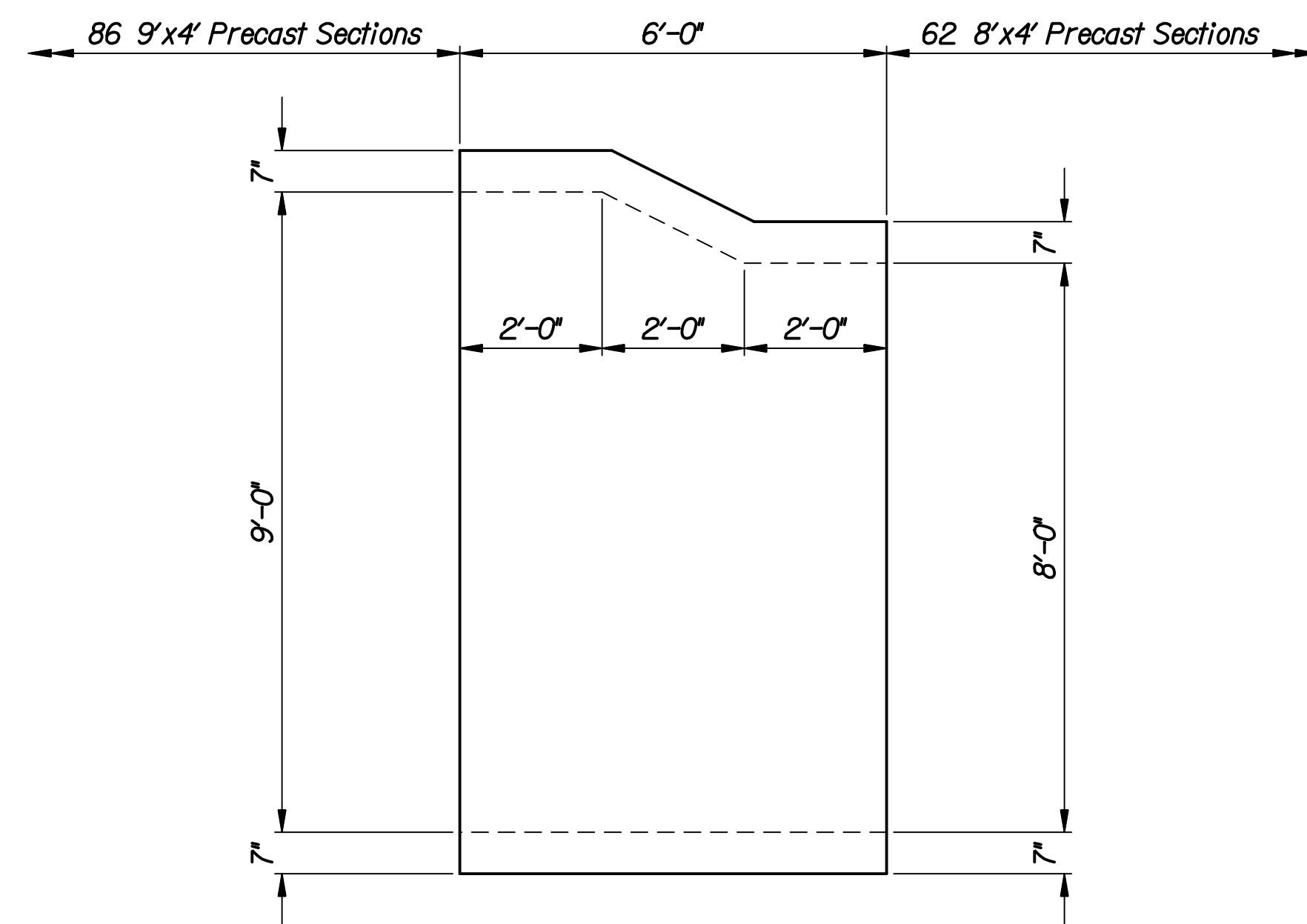


TYPICAL SECTION  
(9'-0" x 4'-0" R.C.B.)



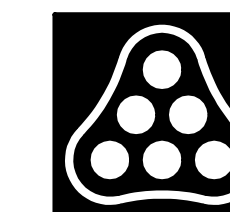
TYPICAL SECTION  
(8'-0" x 4'-0" R.C.B.)



PLAN

PAYMENT: The 9'x4' to 8'x4' R.C.B. Transition shall be paid for as 9'x4' R.C.B.

Plotted: 10-27-2006 drp  
Plot Scale 1"=4' 2/26/2007  
i:\2005\05493-2\Waterman\05493-002-RCB Trans2.dgn



No.	Revision	By	Date
DOWNTOWN ARENA SWD OUTFALL PHASE 2 - WATERMAN PORTION			
<b>9'x4' TO 8'x4' R.C.B. TRANSITION</b>			
<small>JAMES L. ARMOUR, P.E. - CITY ENGINEER CITY OF WICHITA PROJECT NO. 468-84167</small>			
<b>Professional Engineering Consultants, P.A.</b> <small>303 S. TOPEKA • WICHITA, KANSAS 67202 316-262-2691 • FAX 316-262-3003</small>			
Designed by	MSN	Job No.	32-05493-2-42
Drawn by	MSN	Date	Feb., 2007