

- NOTES:**
1. CLAY BRICK PAVERS ARE TYPICAL FOR ALL CROSSWALKS.
  2. CLAY BRICK PAVERS ARE TYPICAL FOR THE INTERSECTIONS AT EMPORIA, BROADWAY AND MAIN STREET.
  3. PAVERS ARE CLAY BRICK, COLOR NAMES AS SHOWN ARE MANUFACTURED BY:

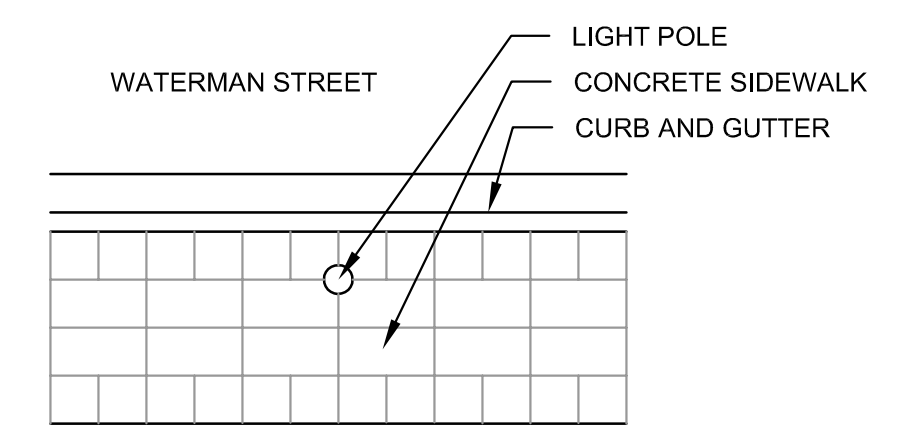
THE BELDEN BRICK COMPANY  
 P.O. BOX 20910  
 CANTON, OHIO 44701-0910  
 PHONE: 330-456-0031  
 WWW.BELDENBRICK.COM

LOCAL SALES DISTRIBUTOR:  
 LUSCO BRICK AND STONE CO.  
 PHONE: 316-262-0406

1 TYPICAL INTERSECTION / CROSSWALK PAVING DETAIL PLAN

SCALE 1" = 10'

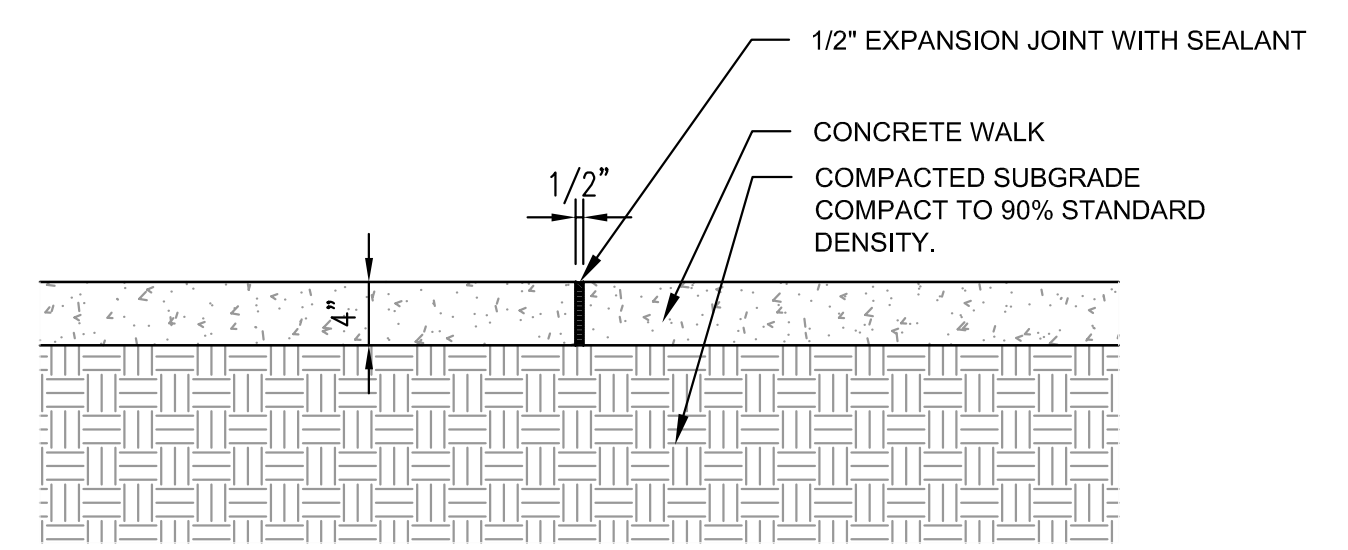
INSTALLATION NOTE:  
 IF THE SIDEWALK IS INSTALLED BEFORE THE LIGHT POLE, THE CONTRACTOR SHALL PROVIDE A "ROUND" BLOCK OUT IN THE SIDEWALK AT THE LIGHT BASE (TO PREVENT CRACKING IN THE SIDEWALK), OR THE LIGHT POLES CAN BE SET FIRST AND THE SIDEWALK CAN BE POURED AROUND THE LIGHT POLES.



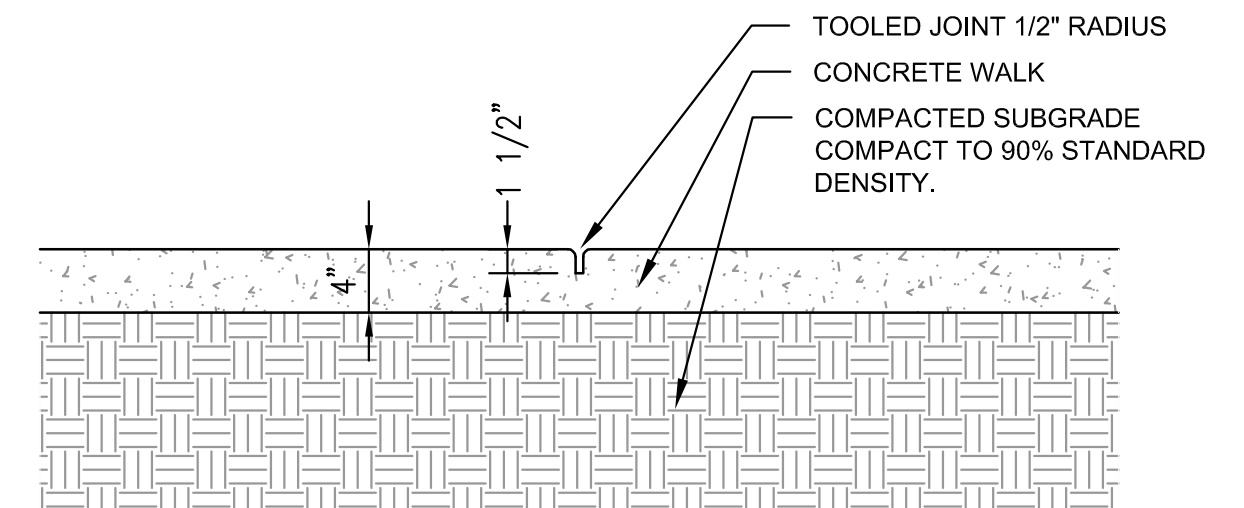
PLAN VIEW

2 DETAIL - PAVING AROUND LIGHT POLES

NOT TO SCALE



EXPANSION JOINT



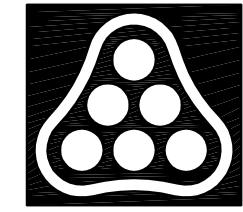
CONTRACTION JOINT

- NOTES:**
1. 1/2" EXPANSION JOINT (EJ) FOR CONCRETE WALK SHALL BE "SONOLASTIC EXPANSION JOINT FILLER" (COLOR=GREY); SONNEBORN, CHEMREX INC. OR APPROVED EQUAL.
  2. SEALANT SHALL BE MULTI-PART POURABLE URETHANE SEALANT: "FOURTHANE"; W.R. MEADOWS, INC. OR APPROVED EQUAL.
  3. ALL LABOR AND MATERIALS FOR EXPANSION AND CONTRACTION JOINTS SHALL BE SUBSIDIARY TO 4" CONCRETE SIDEWALK.

3 4" CONCRETE SIDEWALK DETAILS

NOT TO SCALE

Saved: 02-23-2007 10:51:32 AM by: IDK  
 Plot Scale: 1:10 02-23-2007 11:11:41 AM by: IDK  
 C:\2006\06237\Streetscape Final\06237-000-L-09-Details



No.	Revision	By	Date
WATERMAN STREET			
<b>LANDSCAPE DETAILS</b>			
JAMES L. ARMOUR, P.E.—CITY ENGINEER CITY OF WICHITA PROJECT NO. 468-84167 <b>Professional Engineering Consultants, P.A.</b> 303 S. TOPEKA • WICHITA, KANSAS 67202 316-262-2691 • FAX 316-262-3003			
Designed by	RMH, IDK	Job No.	06237
Drawn by	IDK	Date	February, 2007
			Sht. 1-9 of 9