

CHART A SIGNAL SUMMARY			
SIGNAL FACE ARRANGEMENT	NO. SECTIONS (PER FACE)	SIGNAL MOUNTING TYPE	QUANTITY
A	3	MAST ARM W/BACKPLATE	6
		MAST ARM W/BACKPLATE	
		MAST ARM W/BACKPLATE	
A	3	SIDE-OF-POLE	4
K	2	SIDE-OF-POLE	6
		SIDE-OF-POLE	

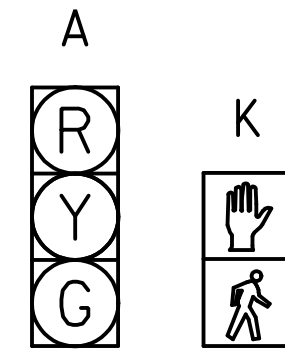
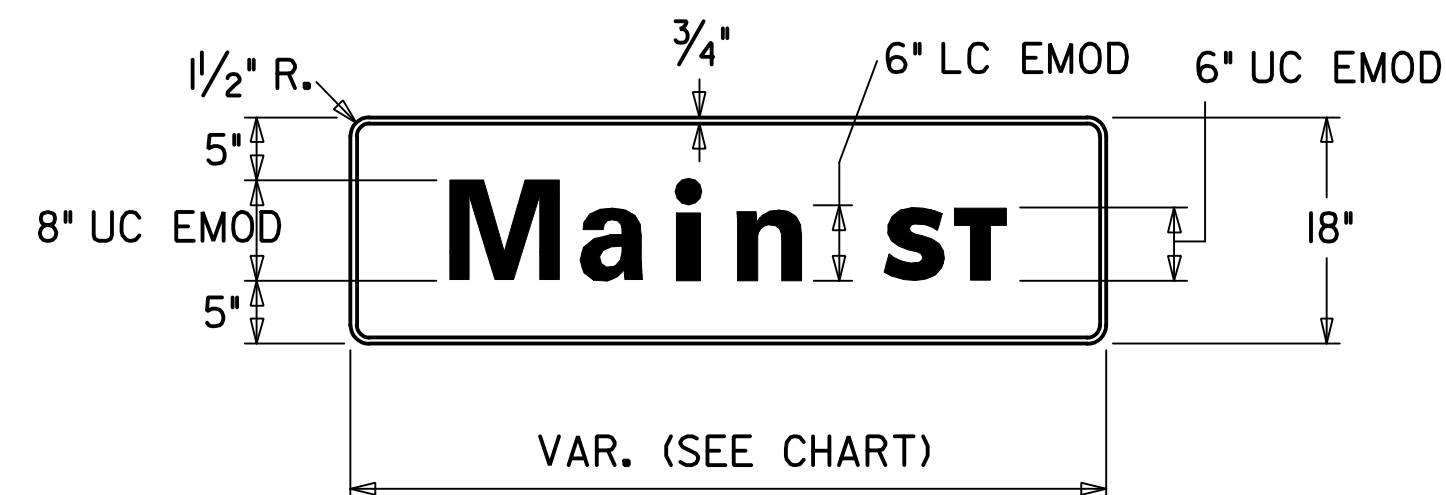


CHART B TRAFFIC SIGNAL POLES								
POLE NO.	POLE HEIGHT	SIGNAL ARM LENGTH	SIGNAL ARM MOUNTING HEIGHT	NO. OF SIGNALS ON ARM	SIGNAL SPACING	LUMINAIRE ARM LENGTH	LUMINAIRE MOUNTING HEIGHT	QUANT.
2	30'	34'	19'	2	22, 34	4	30'	1
3	30'	34'	19'	2	22, 34	4	30'	1
4	30'	37'	19'	2	25, 37	4	30'	1

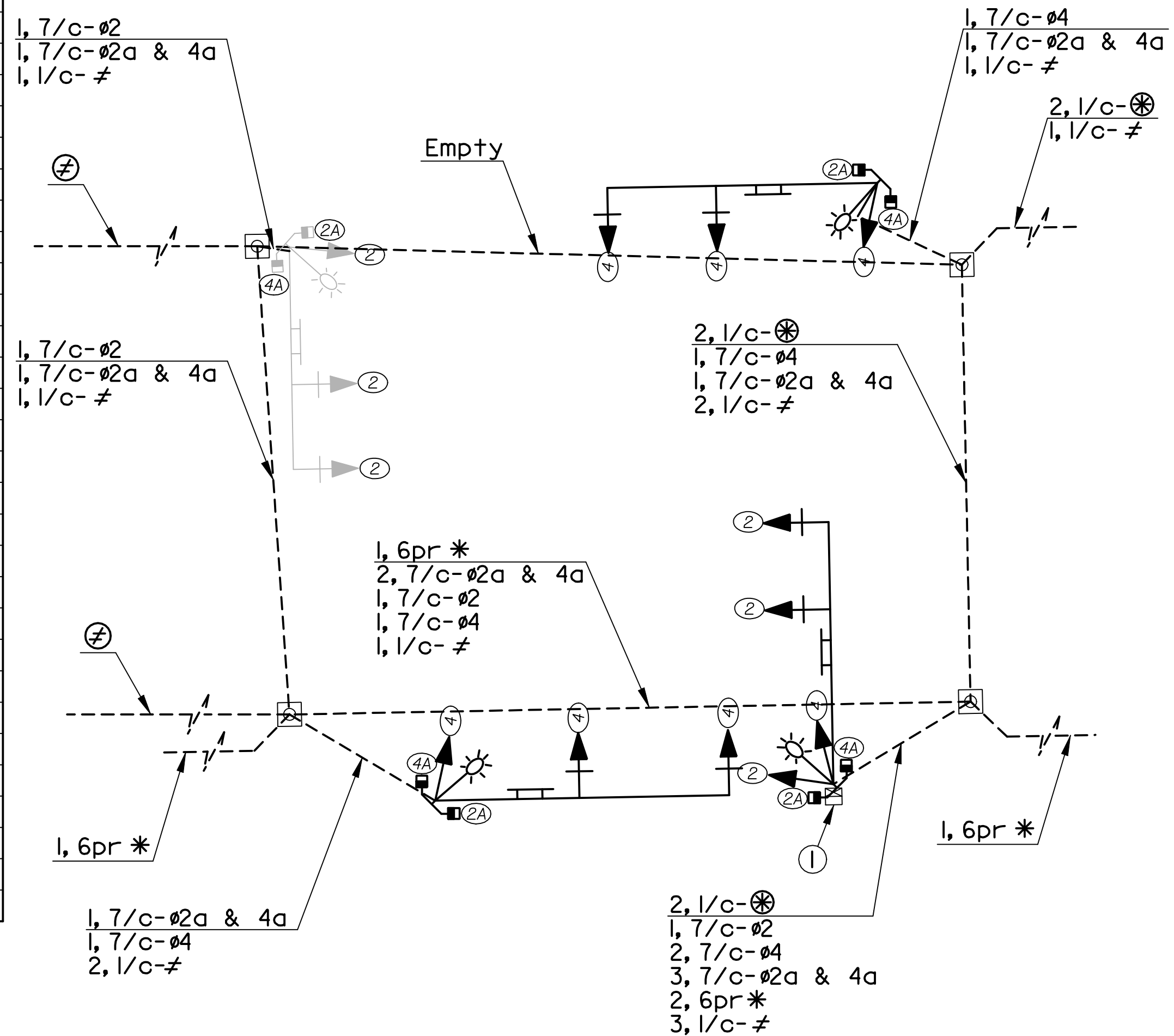
CHART C OVERHEAD STREET NAME SIGNS			
SIGN	LEGEND	LENGTH	QUANTITY
A	WATERMAN	6'-6"	1



NOTE :  
 THE TRAFFIC SIGNAL SYSTEM SHALL BE COMPLETE AND THE CONTRACTOR SHALL FURNISH AND INSTALL ALL EQUIPMENT AND MATERIALS NECESSARY FOR THE SATISFACTORY OPERATION OF ELECTRICAL APPARATUS AND FOR COMPLETE OPERATION OF THE TRAFFIC SIGNAL SYSTEM WHETHER SPECIFICALLY MENTIONED OR NOT.

### BILL OF MATERIALS (FOR INFORMATION ONLY)

ITEM	QUANT.	UNIT
TRAFFIC SIGNAL HEAD W/MOUNTING HARDWARE	16	EACH
POLE MOUNTED CABINET	1	EACH
L.E.D. PEDESTRIAN SIGNAL LENS	12	EACH
L.E.D. TRAFFIC SIGNAL LENS	30	EACH
TRAFFIC SIGNAL POLE JOINT USE (J.U.) STEEL 30'	3	EACH
TRAFFIC SIGNAL POLE BASE	1	EACH
SERVICE BOX (SPECIAL) (PRE-FAB)	4	EACH
STREET NAME SIGN	1	EACH
SERVICE ENCLOSURE, 50 AMP.	5	EACH
CIRCUIT BREAKER, TRAFFIC SIGNAL, 30 AMP.	1	EACH
GROUND ROD & CLAMP	3	EACH
6PR COMMUNICATION CABLE	2	LIN FT
SERVICE WIRE NO. 6 AWG 1/C	780	LIN FT
GROUND WIRE NO. 6 AWG 1/C	770	LIN FT
MULTI-CONDUCTOR CABLE NO. 14 AWG 5/C	350	LIN FT
MULTI-CONDUCTOR CABLE NO. 14 AWG 7/C	990	LIN FT
MULTI-CONDUCTOR CABLE NO. 14 AWG 3/C	114	LIN FT
CONDUIT, 1" & FITTINGS RGC	120	LIN FT
CONDUIT, 2" & FITTINGS PVC	3	400 LIN FT
CONDUIT, 2" & FITTINGS RGC	280	LIN FT
CONDUIT, 3" FITTINGS RGC	400	LIN FT
TRAFFIC SIGNAL POLE BASE ADJUSTMENT	3	EACH
REMOVE AND RESET TRAFFIC SIGNAL POLE	1	EACH
ALLEY PAVEMENT REMOVAL AND REPLACEMENT	115	LIN FT



- ⊗ Power Supply
- ≠ Ground Wire #6 AWG
- ⊕ See Lighting Plan
- \* Communication Cable

### WIRING DIAGRAM

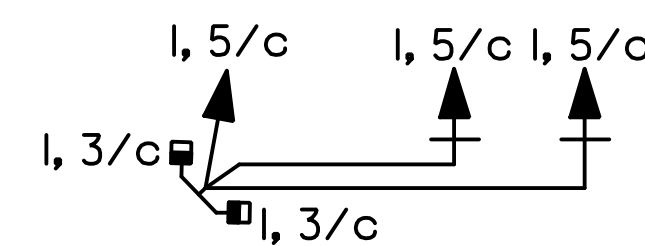
#### CONTROLLER DESCRIPTION

- ① The existing traffic signal controller shall be salvaged and reused. All existing time setting shall be retained.

- ② See Traffic Signal Interconnect Bill of Materials.
- ③ Quantity for 2" PVC for street lighting includes only that between the Service Boxes, and the Poles and Service Boxes.
- ④ Poles to be drilled for Credenza Luminaire Arm. Luminaire, Arm and wiring to be supplied and installed by Westar Energy.

Contractor to install 1" RGC from Luminaire Arm to bottom of all poles, new and existing, with pull wire.

- ⑤ Utilize same enclosure as street lights and receptacles. Traffic Signal to be metered separately. See Lighting Plans.



#### TYPICAL POLE WIRING

Salvage and Reuse Wiring in Traffic Signal Poles being removed and reinstalled.

#### -QUANTITIES FOR INFORMATION ONLY-

3				
2				
1	03/26/2003	Current version		
NO.	DATE		BY	APP'D

CITY OF WICHITA

TRAFFIC SIGNAL QUANTITIES SHEET  
 WATERMAN ST. AND TOPEKA ST.

DESIGNED	J.F.F.	DATE	04/29/03	APP'D	Linda G. Voss, P.E.
DESIGN CK.	G.J.O.	DETAIL CK.	G.J.O.	QUAN. CK.	TRACE CK.