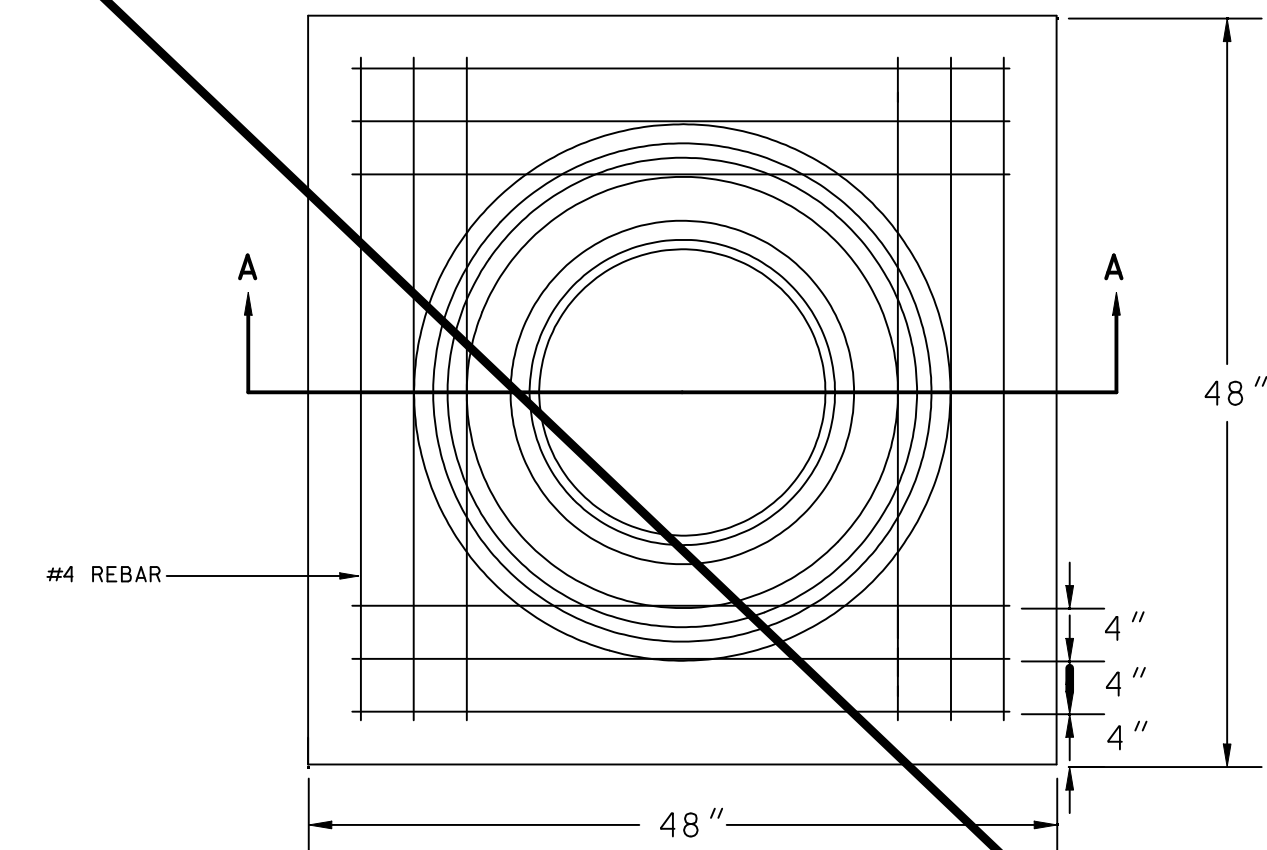
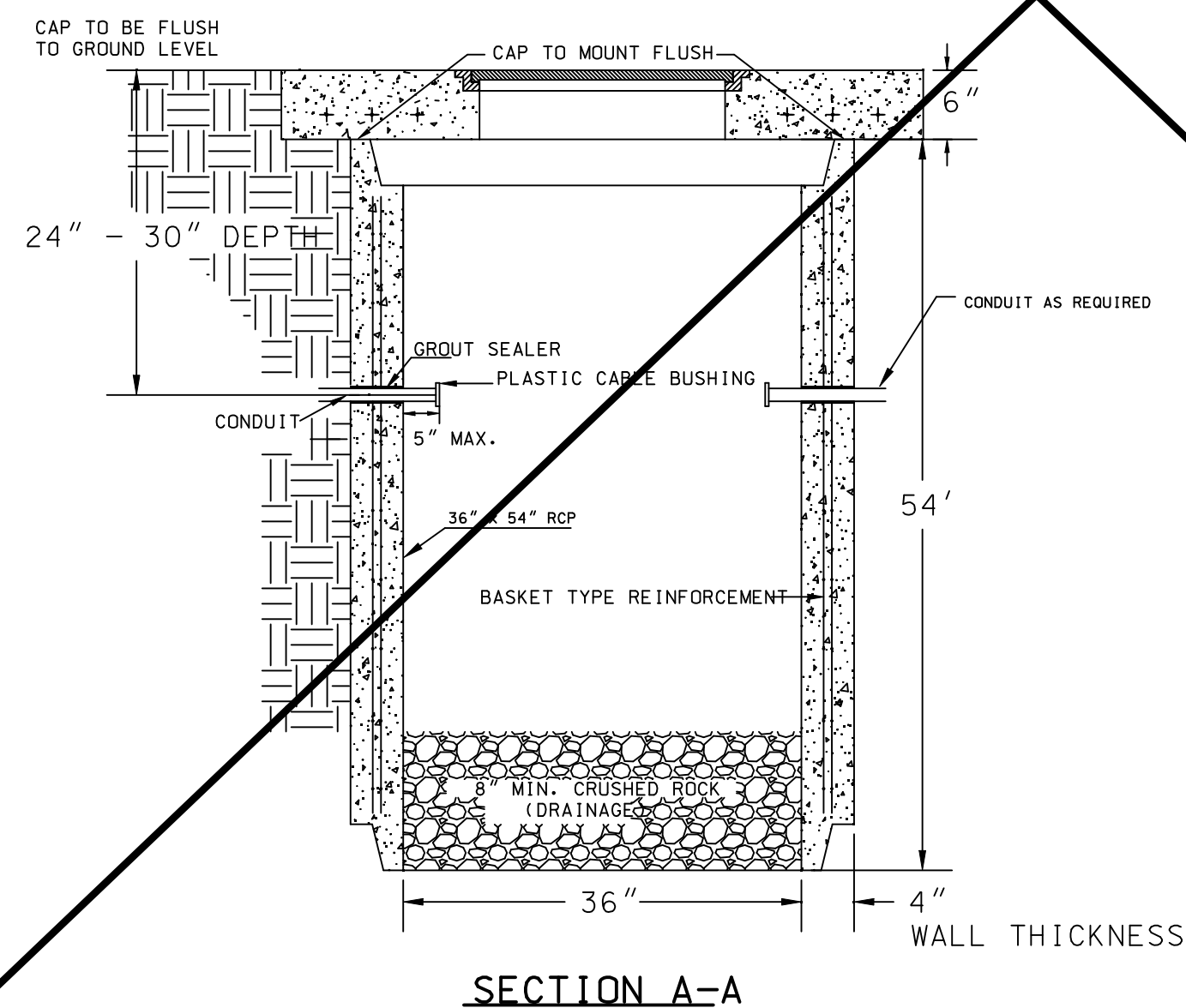


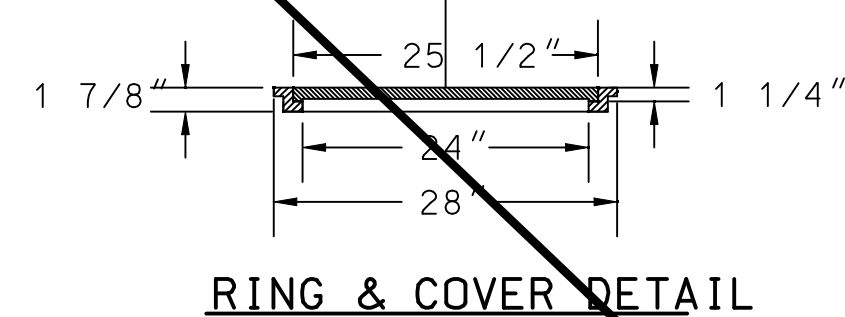
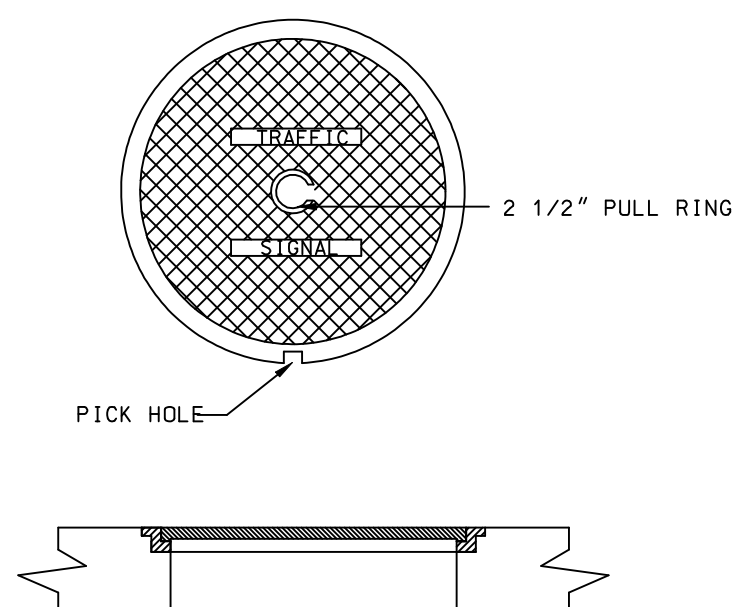
SERVICE BOX CONSTRUCTION/INSTALLATION DETAILS



PRE-CAST CONCRETE SERVICE BOX
(36" I.D. X 54" RCP)
with 6" CAP

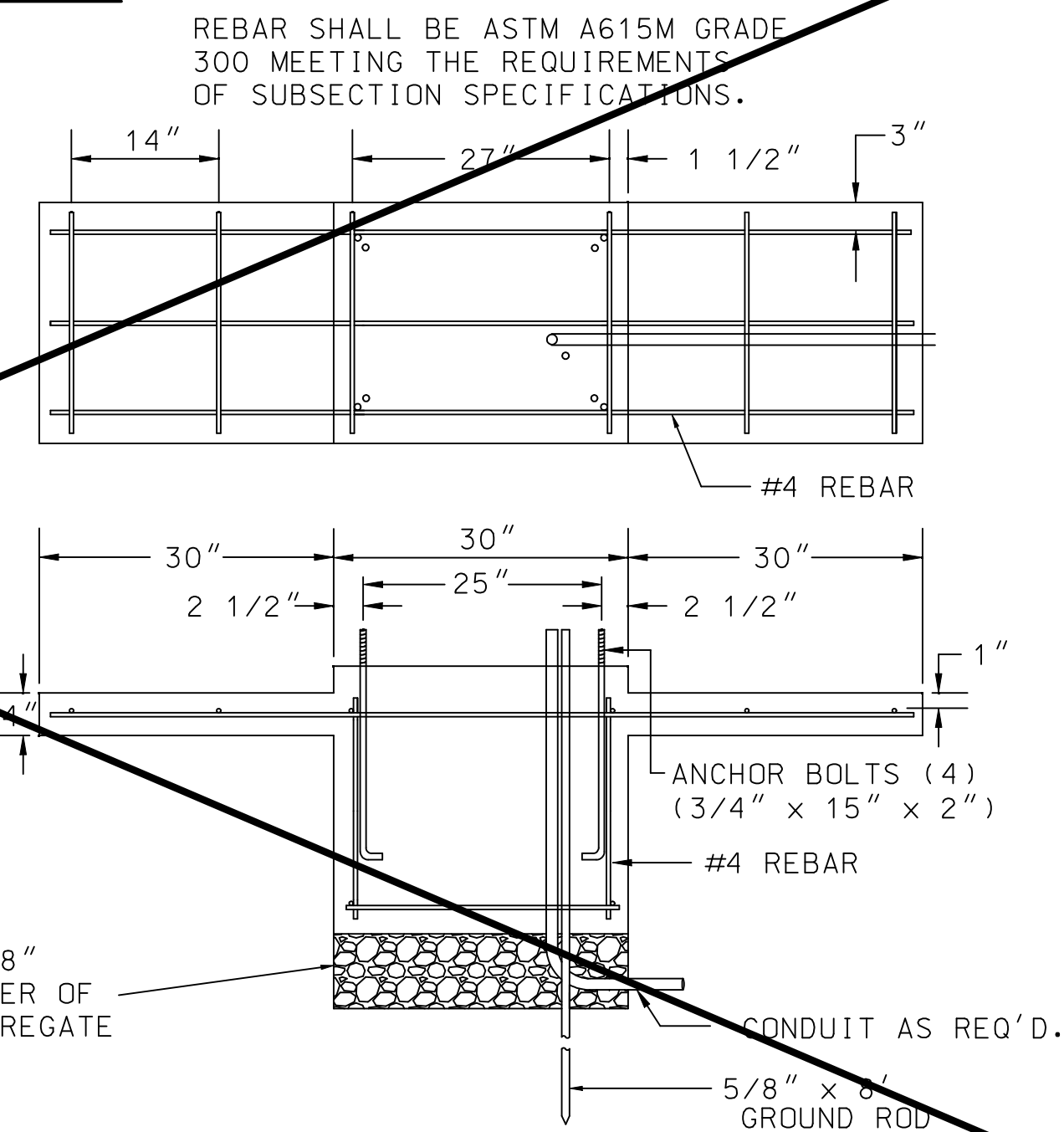
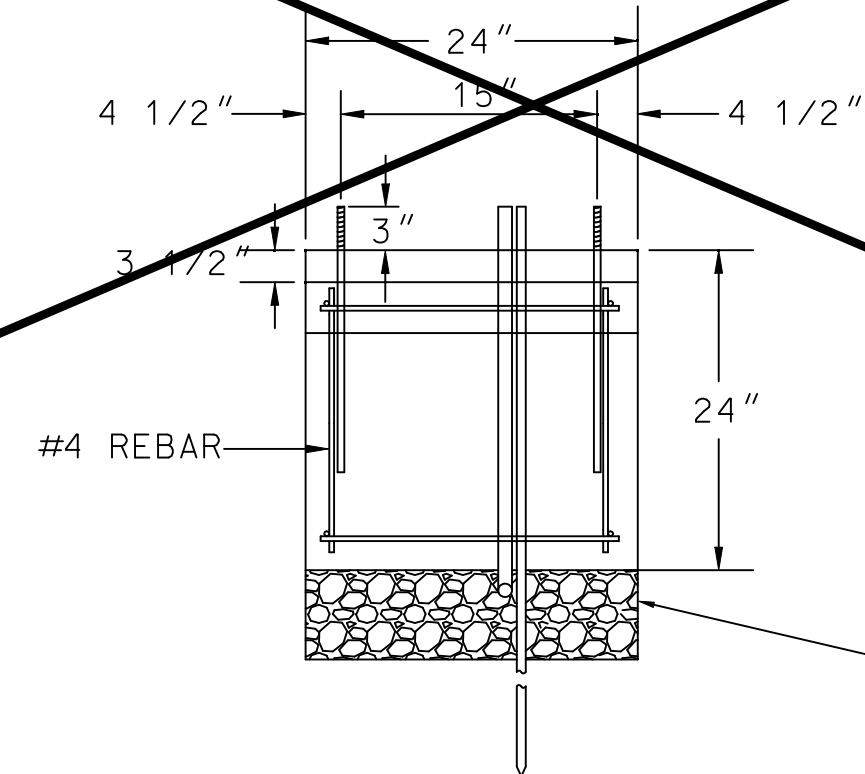
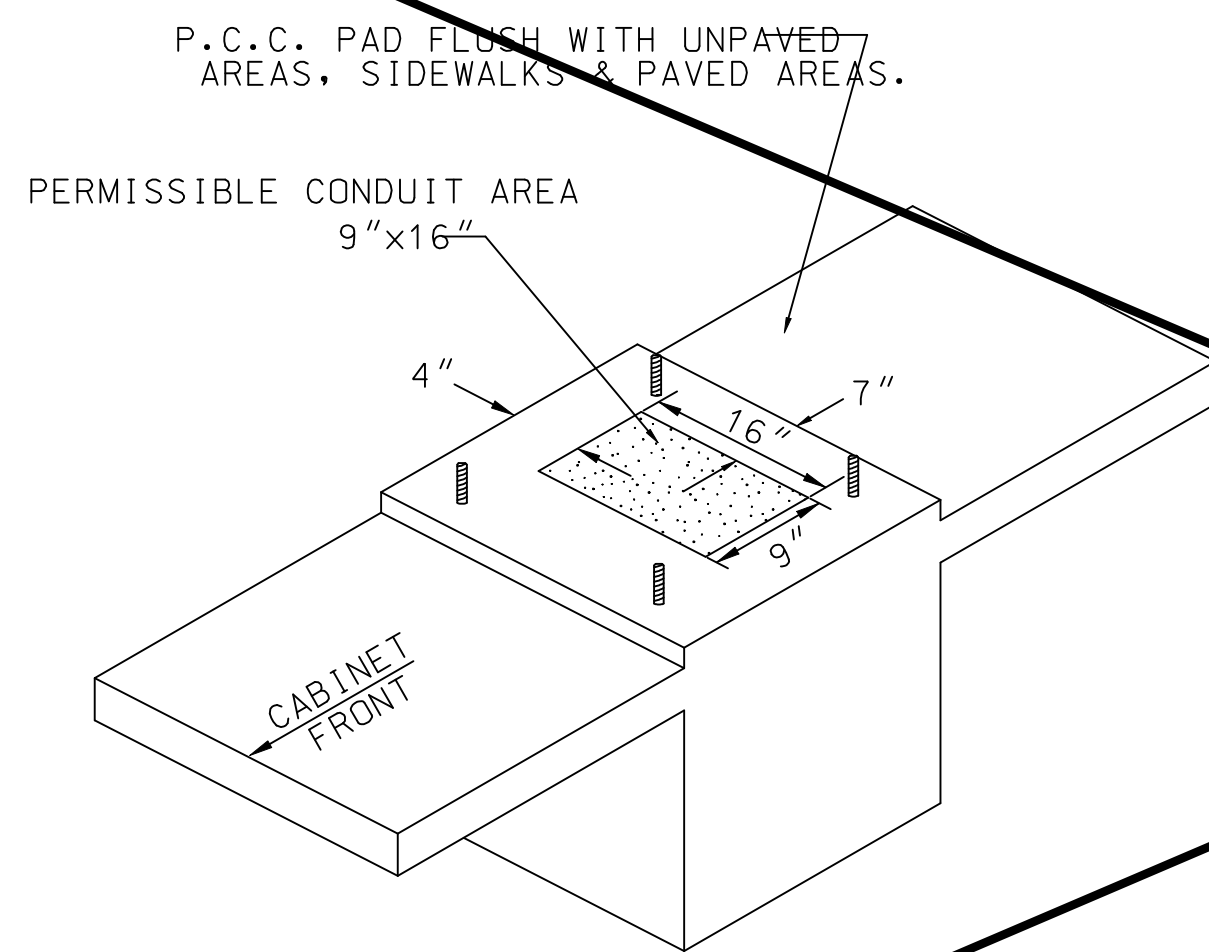


SECTION A-A



RING & COVER DETAIL

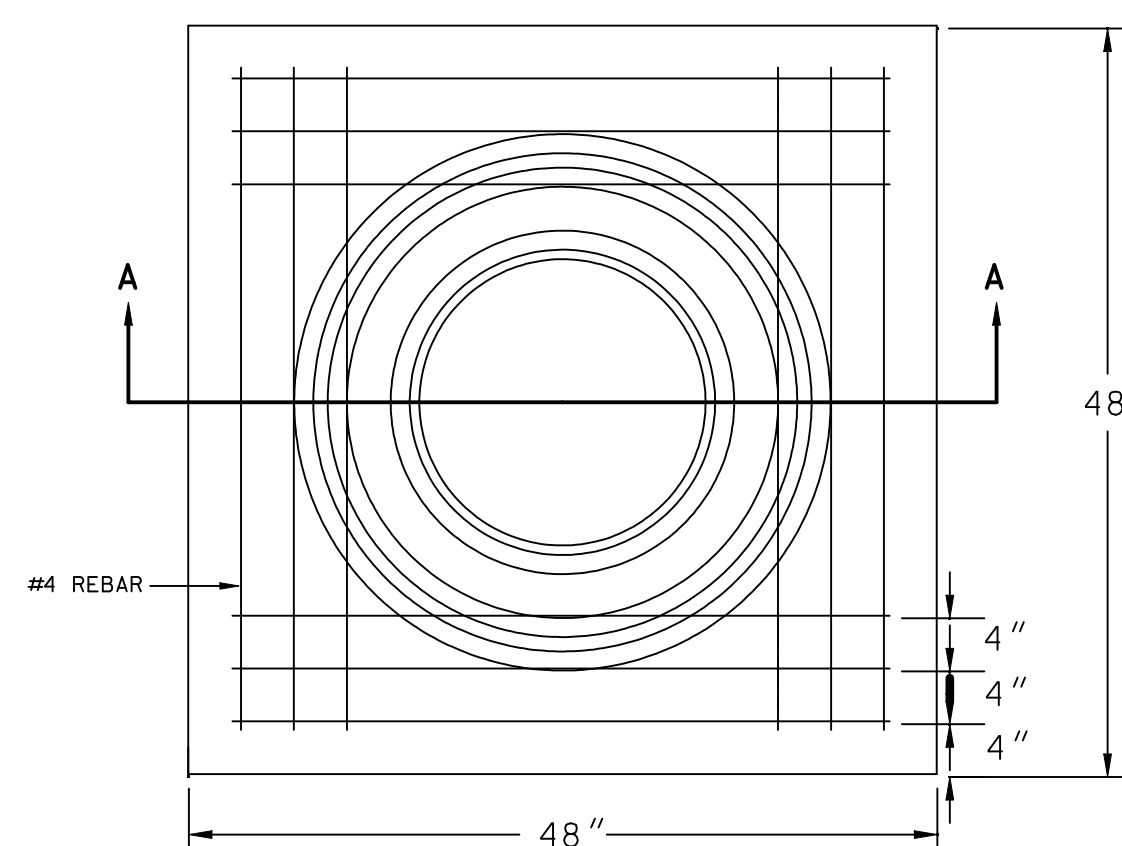
170 CONTROLLER PAD DETAILS



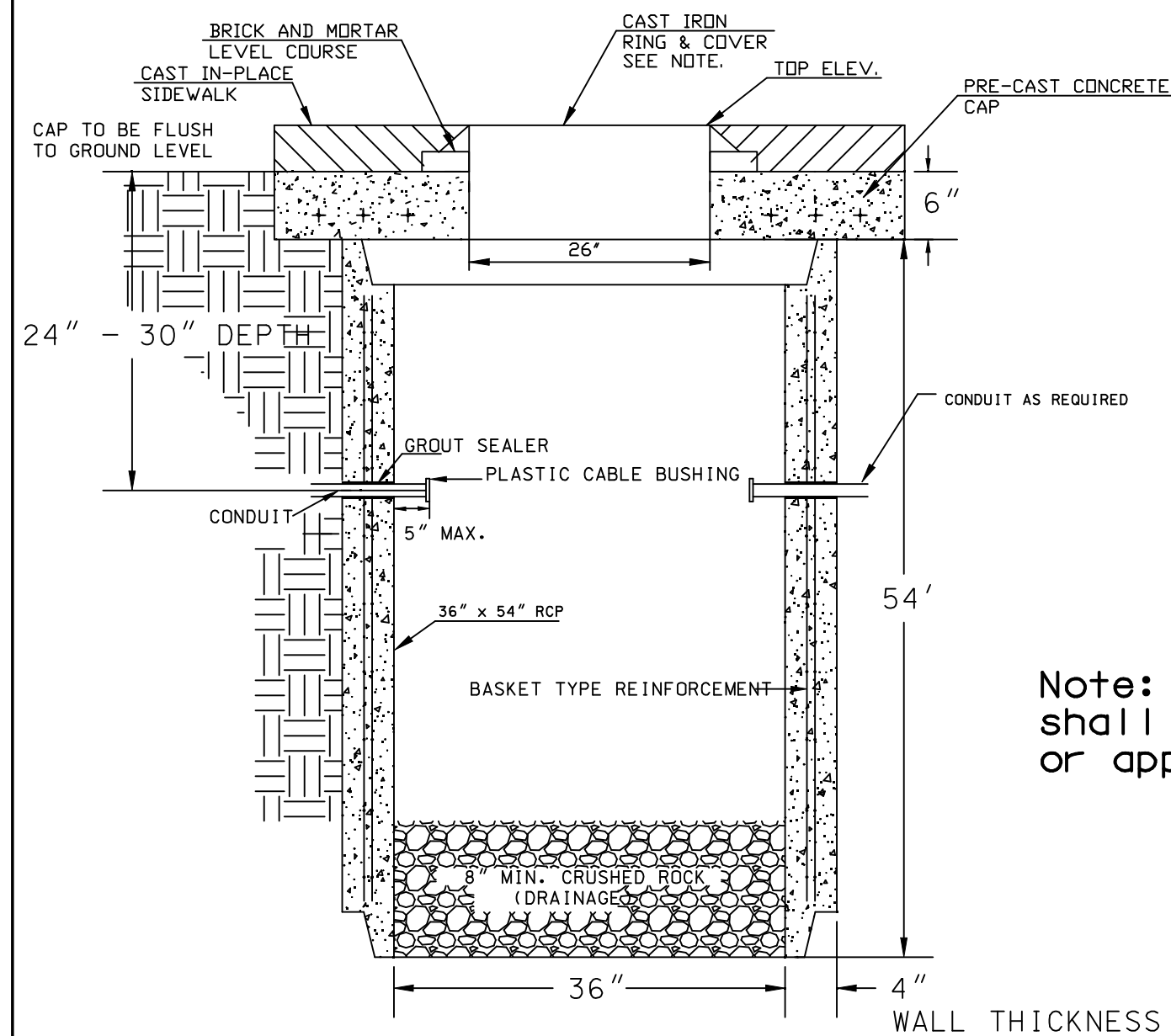
REBAR SHALL BE ASTM A615M GRADE 300 MEETING THE REQUIREMENTS OF SUBSECTION SPECIFICATIONS.

SPECIAL SERVICE BOX

SERVICE BOX CONSTRUCTION/INSTALLATION DETAILS



PRE-CAST CONCRETE SERVICE BOX
(36" I.D. X 54" RCP)
with 6" CAP



SECTION A-A

Note: Cast Iron Ring and Cover shall be Neenah R773 or approved equal.

NOTES:

- SERVICE BOX:
1. CONDUIT CONNECTION TO BE FLUSH TO WITHIN 5" OF INSIDE FACE OF SIDE WALL, CONDUIT TO DRAIN INTO SERVICE BOX.
 2. CONDUIT CONNECTIONS TO SERVICE BOX SHALL BE TERMINATED WITH PLASTIC CABLE BUSHING.
 3. CONDUIT SHALL BE SEALED WITH APPROVED SEALER AT INSIDE WALL FACE.
 4. ALL SERVICE & JUNCTION BOXES TO HAVE 8" OF CRUSHED ROCK.

TRENCHING:

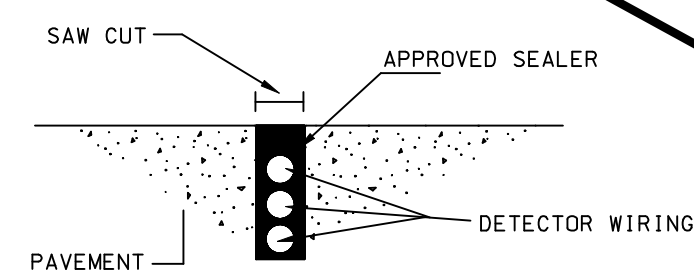
1. DEPTH TO BE 30" MINIMUM WITH ROCK & STUBBLE FREE BACKFILL TO SERVE AS BEDDING MATERIAL. MAINTAIN MINIMUM CONDUIT DEPTH IN TRENCH.
2. BACKFILL TO BE COMPACTED IN 6" LOOSE LIFTS BY HAND OR MECHANICAL TAMPING TO A 95% STANDARD DENSITY.

CONDUIT:

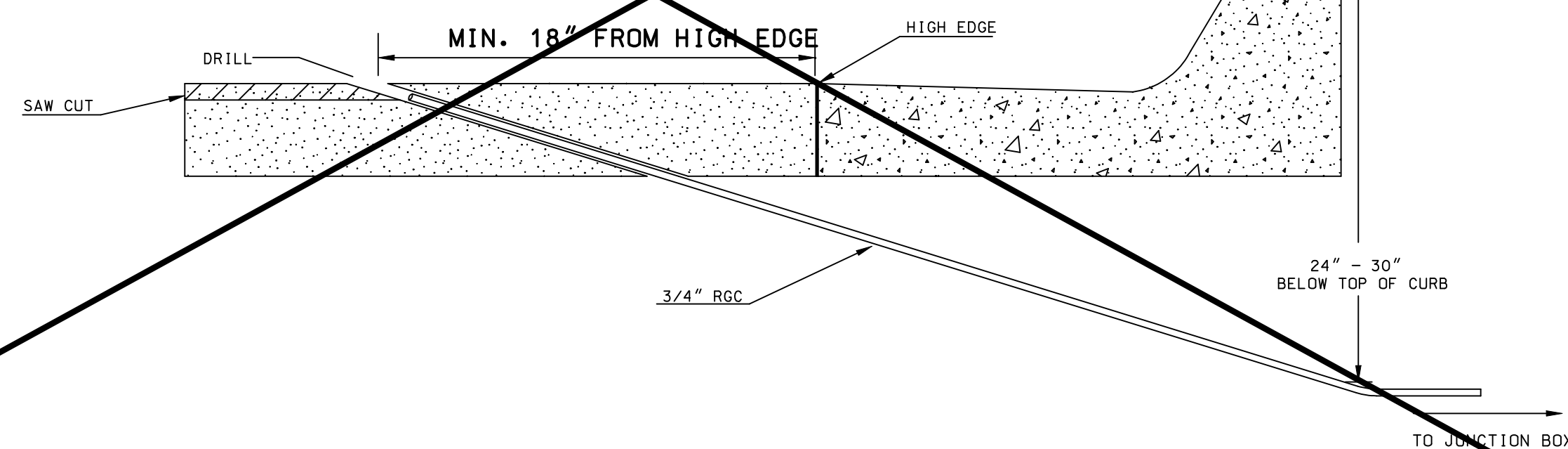
1. SLOPE CONDUIT TO DRAIN AS DIRECTED BY THE ENGINEER.
2. 3" RIGID STEEL CONDUIT BTWN. SERVICE BOXES AND AS SHOWN ON PLANS.

SERVICE/JUNCTION BOX, CONTROLLER PAD CONSTRUCTION/INSTALLATION DETAILS

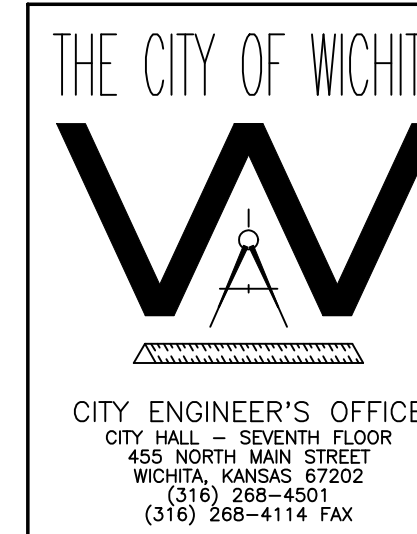
CONDUIT/DETECTOR WIRE INSTALLATION DETAILS



STD. CURB & GUTTER



Dwn: JPS Oper: DRP Scale: 1"=1' Plot Scale i:/2006/06237/standards/06237-000-sddl.dgn Last Rev: 2-22-2007 By: DRP



SERVICE/JUNCTION BOX, CONTROLLER PAD CONSTRUCTION/INSTALLATION DETAILS

CITY ENGINEER'S OFFICE CITY HALL - SEVENTH FLOOR 455 NORTH MAIN STREET WICHITA, KANSAS 67202 (316) 268-4501 (316) 268-4114 FAX		
PROJECT NUMBER 468-84167		
DRAWN BY: T.M.	SCALE NO SCALE	REVISED BY:
DATE: April, 2002		DATE:
CITY OF WICHITA DEPARTMENT OF PUBLIC WORKS		
DIVISION OF TRAFFIC ENGINEERING PAUL D. GUNZELMAN, P.E. TRAFFIC ENGINEER		SHEET R56 OF R111