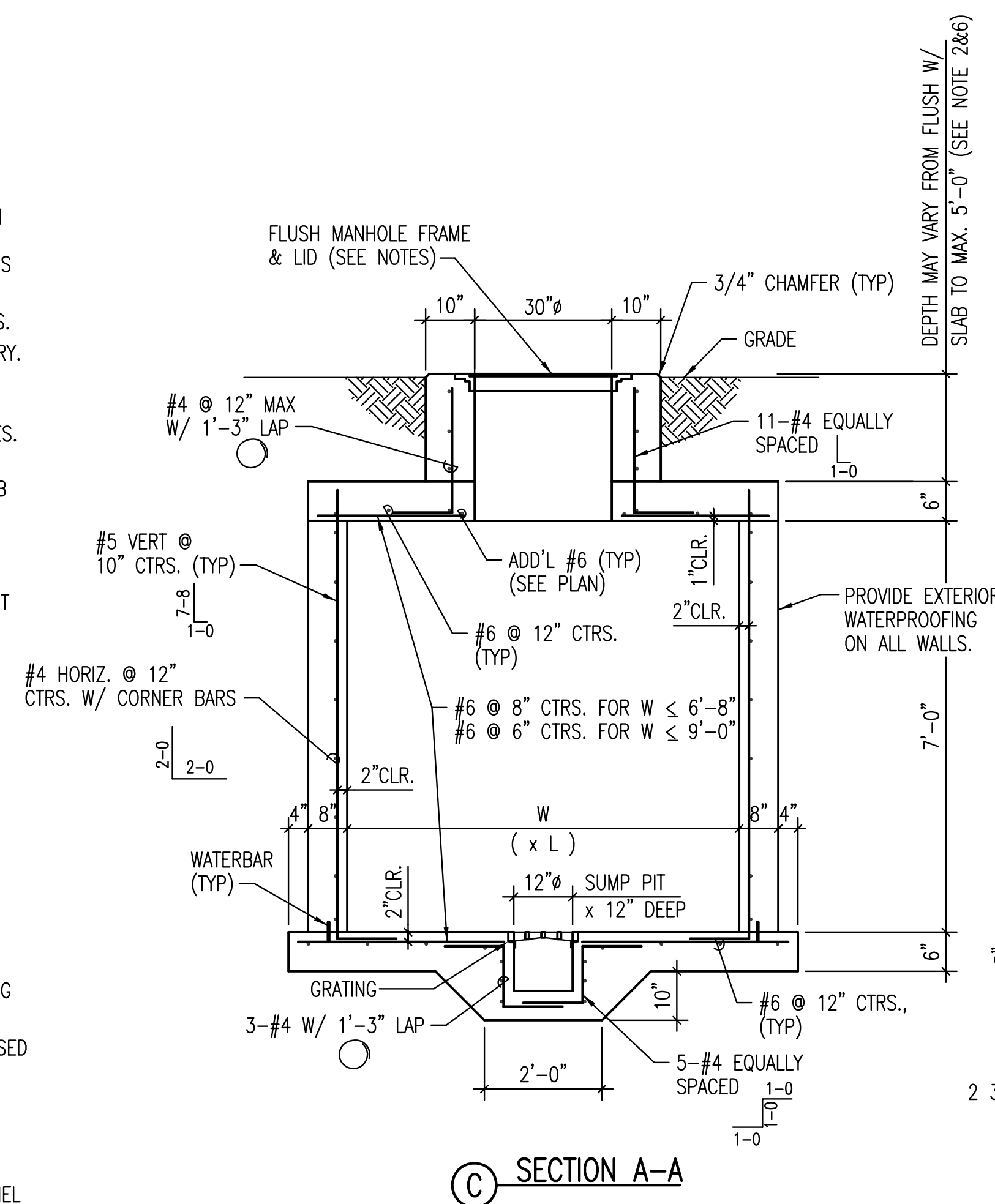
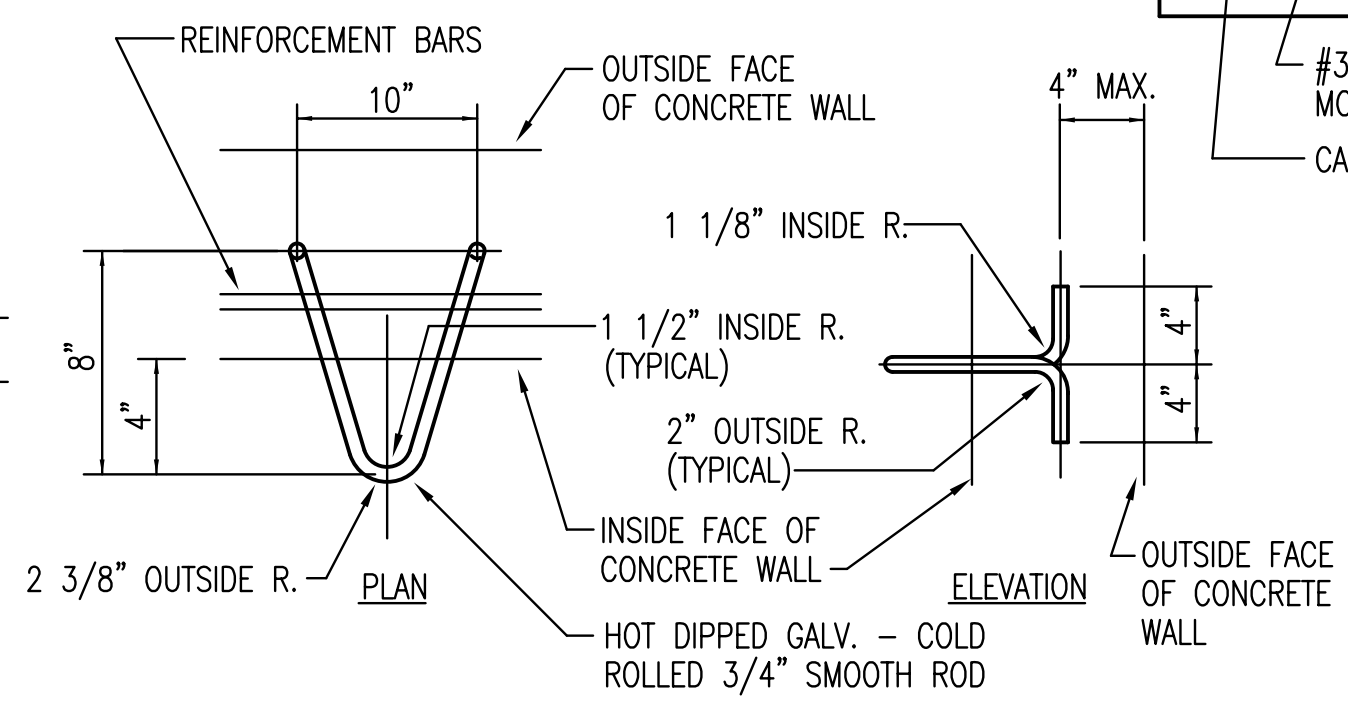
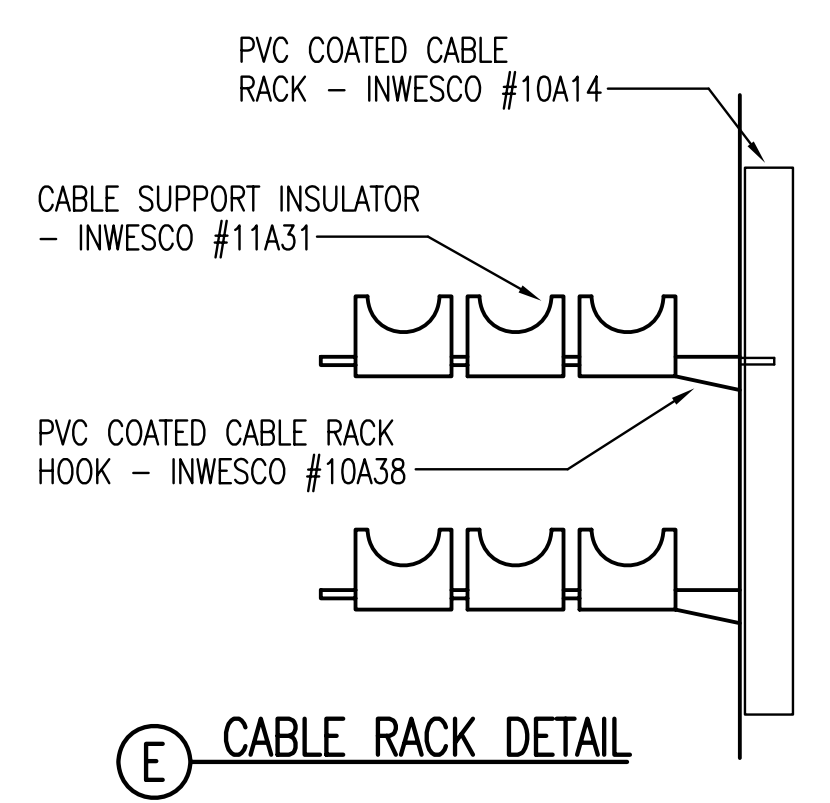


**NOTES:**

- ALL MANHOLE CONSTRUCTION AND LOCATION TO BE VERIFIED AT SITE PRIOR TO CONSTRUCTION.
- ACTUAL DIMENSION TO BE DETERMINED IN THE FIELD AND WILL DEPEND ON LOCATION OF DUCT LINES, OTHER UTILITY LINES AND ANY OTHER UNFORESEEN OBSTRUCTIONS. CONTACT ENGINEER FOR DESIGN REVIEW WHEN FIELD CONDITIONS EXCEED PARAMETERS SHOWN.
- PROJECT SPECIFICATIONS SHALL CONTROL WHEN MORE STRINGENT THAN THESE NOTES.
- CONTRACTOR TO FORM OPENINGS IN MANHOLE WALLS FOR CONDUIT WHERE NECESSARY. FAN WALL REINFORCING AS REQ'D BETWEEN CONDUIT OPENINGS. LOCATIONS TO BE DETERMINED IN THE FIELD.
- LOCATE DUCT BANK PENETRATIONS TO ALLOW MAXIMUM BENDING RADIUS FOR CABLES.
- AT CONTRACTOR'S OPTION, DEPTH OF MANHOLE SHAFT MAY BE ACCOMPLISHED W/ PRECAST PIPE OR BRICK LAYUP. PROVIDE MIN. 10" WIDE x 6" DEEP CONCRETE CURB FOR MANHOLE FRAME INSTALLATION.
- CONCRETE - 4,000 PSI MIN. AT 28 DAYS, W/ 4% TO 6% ENTRAINED AIR. REINFORCING - A615, GRADE 60 (Fy= 60 KSI)
- INTERIOR SURFACES OF WALLS AND ROOF TO BE FINISHED WITH A 1-2 SAND CEMENT MORTAR APPLIED WITH A CORK OR RUBBER FLOAT TO GIVE A SEMI-SMOOTH EVEN FINISH OF UNIFORM COLOR, AND TEXTURE, FREE OF FORM MARKS, SMALL OPENINGS AND PORES.
- COATING SPECIFIED IN NOTE 8 WILL NOT BE NECESSARY IF PLYWOOD IS USED ON INSIDE WALL FORMS AND ANY OPENINGS ARE FILLED AND OVERLAP RIDGES ARE GROUND SMOOTH.
- PROVIDE EXTERIOR WATERPROOFING AT ALL SURFACES BELOW GRADE. USE 2 COATS SEAL-MASTIC BY W.R. MEADOWS, OR EQUAL. APPLY PER MFG RECOMMENDATIONS.
- SET MANHOLE FRAME 1/2" ABOVE GRADE AND SLOPE ADJACENT GRADE TO TOP OF FRAME.
- MANHOLE COVER AND FRAME TO BE DEETER NO. 1132, NEENAH NO. R-6461, OR EQUAL, RATED FOR H2O WHEEL LOADS. PROVIDE OPEN PICKHOLES, SECURITY BOLTS (W/ WRENCHES TO OWNER) & SELF-SEALING COVER. LABEL "COMMUNICATIONS" WITH 1/2" HIGH LETTERS.
- GRATING FOR SUMP PIT SHALL BE DEETER #3009 OR EQUAL. PROVIDE WITH MATCHING FRAME TO BE SET IN CONCRETE.
- SUPPORT REINFORCING W/ ACCESSORIES (UPTURNED & GALVANIZED LEGS FOR EXPOSED SURFACES) MAX SPACING 48" CENTERS.
- WATERBAR SHALL BE EXTRUDED PVC MATERIAL, MINIMUM 3/16" THICK x 4" WIDE.
- PULLING IRON(S) SHALL BE LOCATED OPPOSITE CONDUIT ENTRANCES. COORDINATE W/ELECTRICAL CONTRACTOR. SEE DETAIL THIS SHEET.
- CABLE RACKS- 48" OVERALL LENGTH CONSTRUCTED OF 3/16" ROLLED STEEL CHANNEL W/PVC COATING. ADJUSTABLE LOCATION OF PVC COATED RACK HOOKS IS POSSIBLE THRU T-SLOTS SPACED @ 1 1/2" INTERVALS. PROVIDE CABLE SUPPORT INSULATORS MADE OF HIGH GRADE ELECTRICAL PORCELAIN. PRODUCTS SHALL BE BY INWESCO OR EQUAL. FIELD VERIFY QUANTITY AND LOCATION IN FIELD.

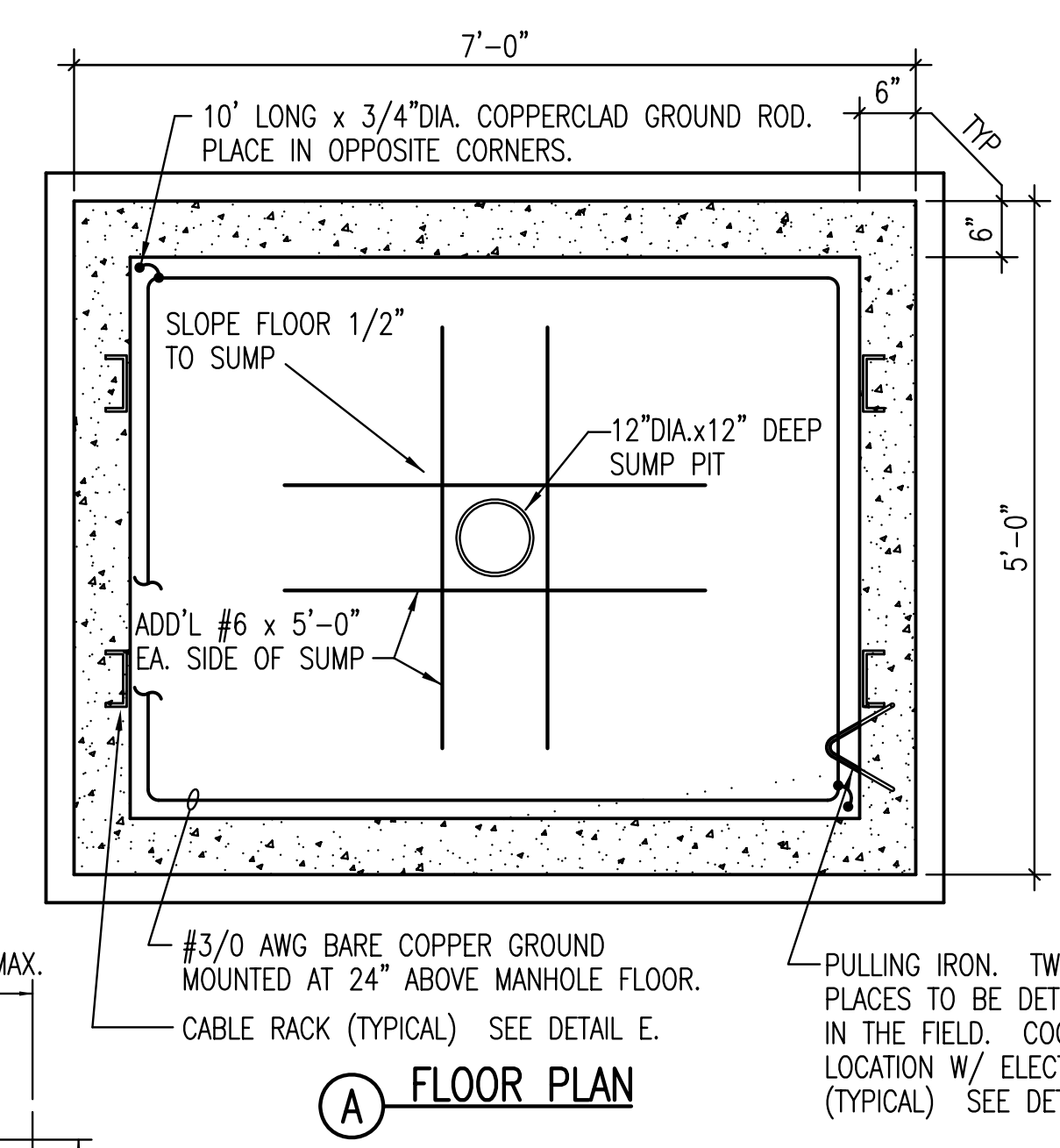


**1 COMMUNICATIONS MANHOLE DETAIL**  
NO SCALE

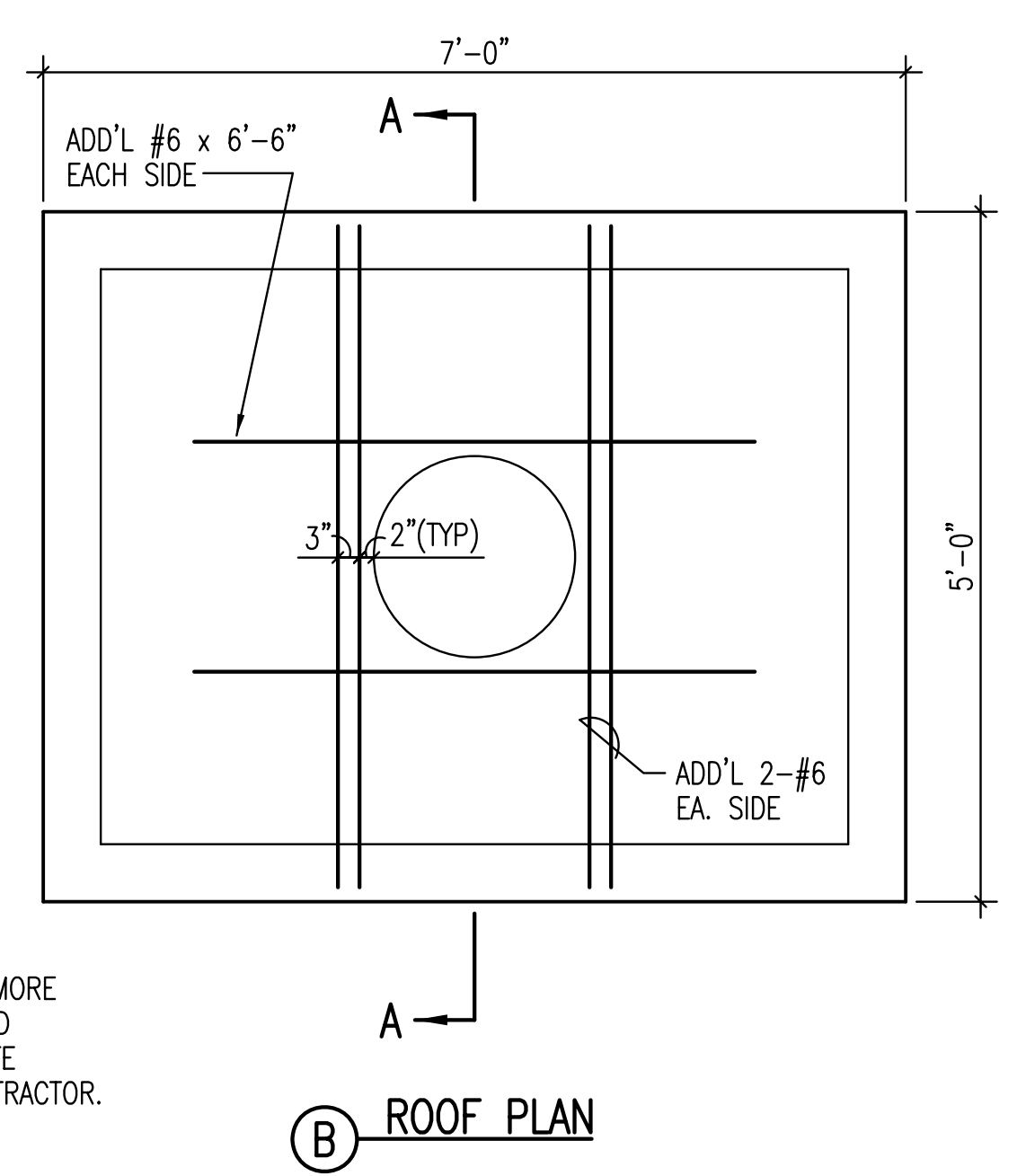


NOTE: CONTRACTOR OPTION TO INSTALL PREFORMED PULLING IRONS.

**D DETAIL - PULLING IRON**

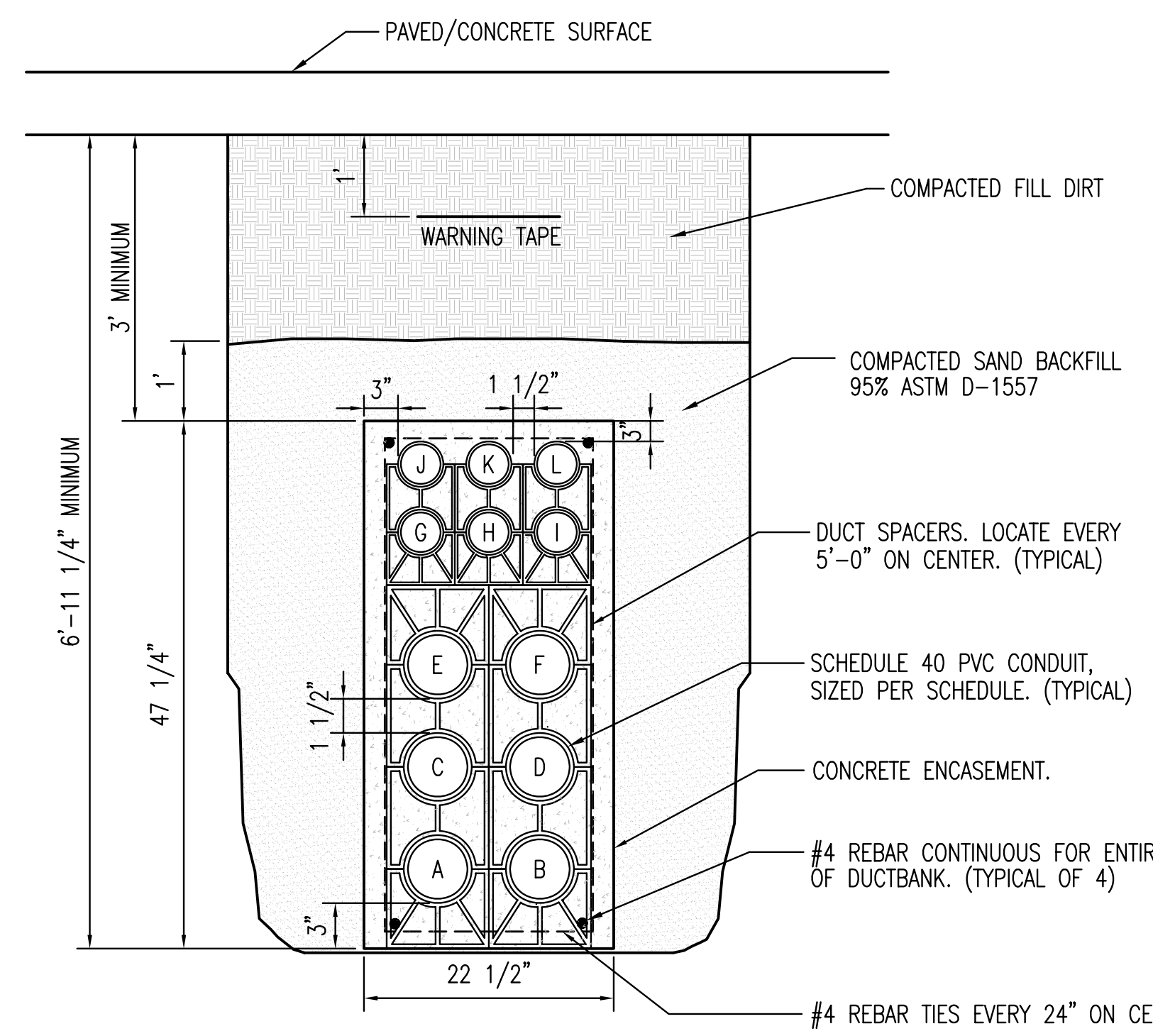


**A FLOOR PLAN**



**B ROOF PLAN**

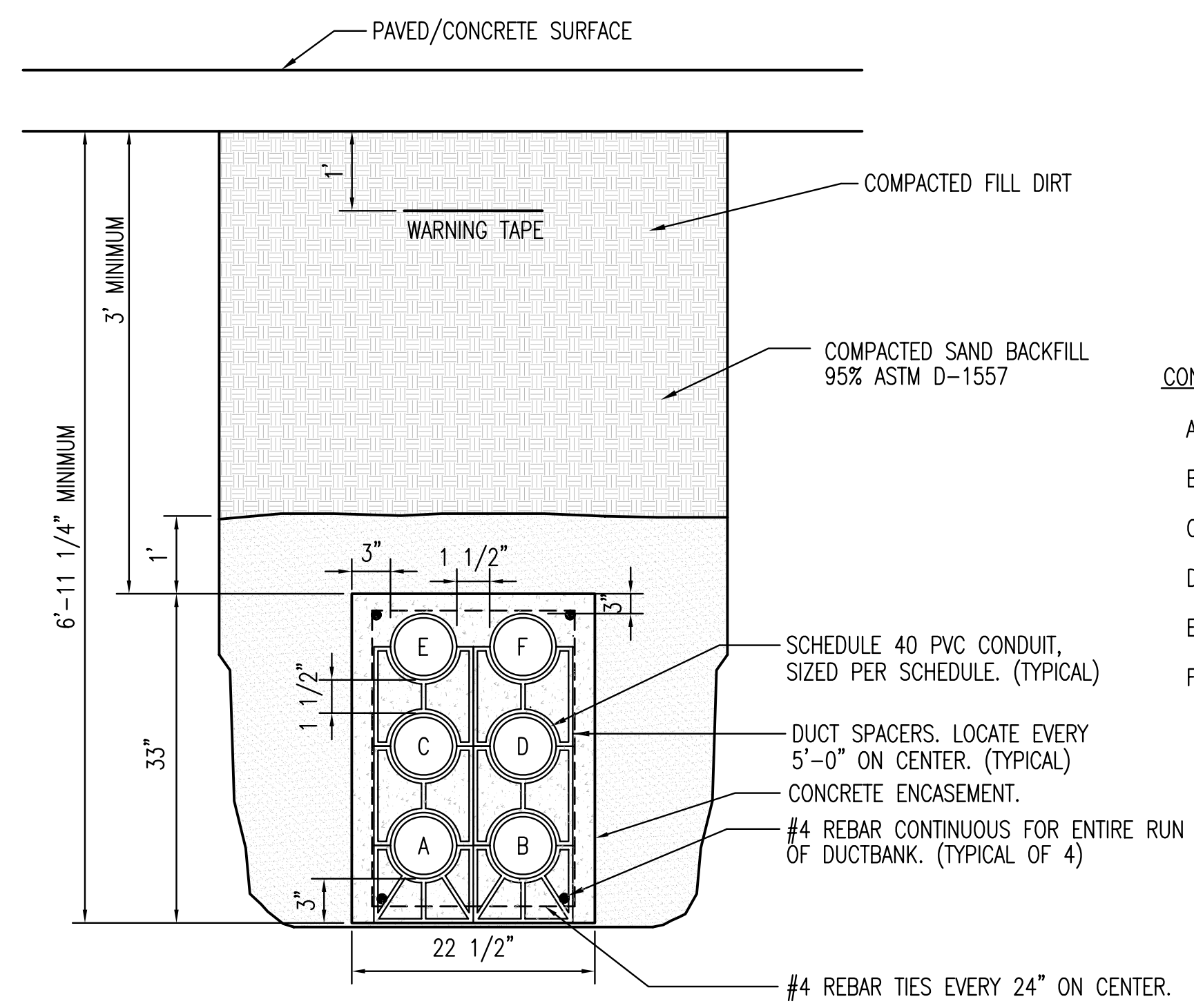
COX COMMUNICATIONS SHALL SUPPLY ALL 8 COMMUNICATIONS MANHOLES, CONTRACTOR SHALL COORDINATE TIME OF DELIVERY AND POSSESSION WITH COX COMMUNICATIONS REPRESENTATIVE BRYAN RING (260-7169). CONTRACTOR TO COMPENSATE COX COMMUNICATIONS FOR THE PURCHASE PRICE OF 1 COMMUNICATION MANHOLE, THE COST OF WHICH IS TO BE INCLUDED IN THE BID ITEM "PROVIDE AND INSTALL REINFORCED CONCRETE MANHOLE (COMMUNICATIONS)". THE COST TO INSTALL THE OTHER 7 COMMUNICATIONS MANHOLES SHALL BE INCLUDED IN THE BID ITEM "INSTALL REINFORCED CONCRETE MANHOLE (COMMUNICATIONS)".



**CONDUIT SCHEDULE:**

- A. 6"C. - POWER (ACTIVE)
- B. 6"C. - POWER (ACTIVE)
- C. 6"C. - POWER (SPARE)
- D. 6"C. - POWER (SPARE)
- E. 6"C. - POWER (SPARE)
- F. 6"C. - POWER (SPARE)
- G. 4"C. - COMMUNICATIONS (ACTIVE)
- H. 4"C. - COMMUNICATIONS (SPARE)
- I. 4"C. - COMMUNICATIONS (SPARE)
- J. 4"C. - COMMUNICATIONS (ACTIVE)
- K. 4"C. - COMMUNICATIONS (SPARE)
- L. 4"C. - COMMUNICATIONS (SPARE)

**2 DUCTBANK DETAIL - CONCRETE ENCASED**  
NO SCALE  
POWER & COMMUNICATIONS

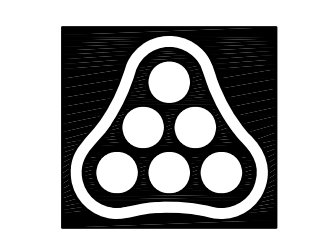


**CONDUIT SCHEDULE:**

- A. 6"C. - POWER (ACTIVE)
- B. 6"C. - POWER (ACTIVE)
- C. 6"C. - POWER (SPARE)
- D. 6"C. - POWER (SPARE)
- E. 6"C. - POWER (SPARE)
- F. 6"C. - POWER (SPARE)

**3 DUCTBANK DETAIL - CONCRETE ENCASED**  
NO SCALE  
POWER

Saved: 02-26-2007 8:04:24 AM by WAN  
 Plot: 02/26/2007 1:31:14 PM by WAN  
 E:\2006\0623\06237-SHEET.U07



No.	Revision	By	Date
WATERMAN STREET			
<b>ELEC. DUCTBANK PLAN DETAILS</b>			
JAMES L. ARMOUR, P.E.-CITY ENGINEER CITY OF WICHITA PROJECT NO. 468-84167			
<b>Professional Engineering Consultants, P.A.</b> 303 S. TOPEKA • WICHITA, KANSAS 67202 316-262-2691 • FAX 316-262-3003			
Designed by	SMS	Job No.	06237
Drawn by	WAN	Date	February, 2007
			Sht. U7 of 8