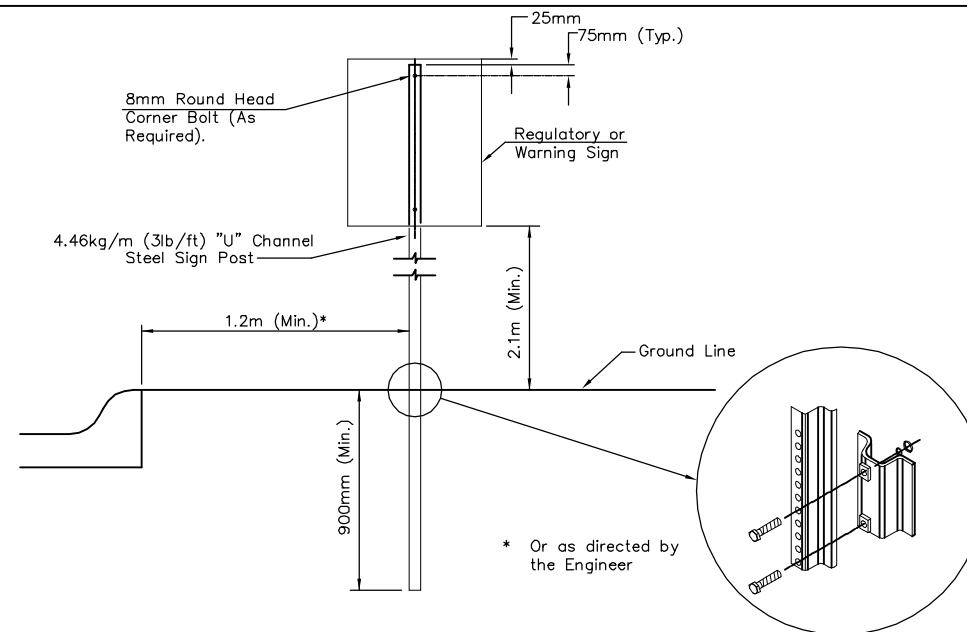


**TYPICAL STREET NAME SIGN MOUNTING INSTALLATION
CURB AND GUTTER SECTION**



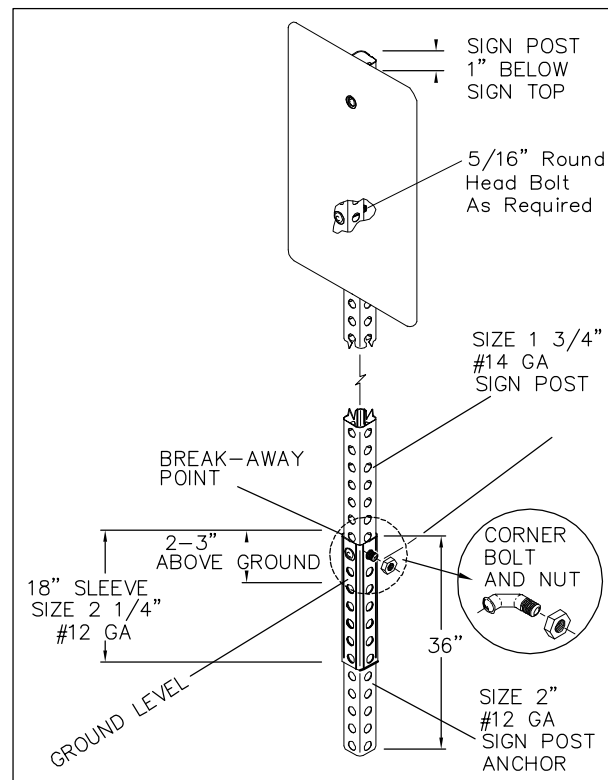
**TYPICAL TRAFFIC CONTROL SIGN MOUNTING INSTALLATION
CURB AND GUTTER SECTION**

STREET NAME	NO. BLADES REQ'D	
	450mm (Most Arm)	230mm METRO
29TH ST	4	--
MAIZE RD	2	--
TYLER RD	2	--
MAIZE RD ²⁹⁰⁰ _N	--	1
29TH ST ¹⁰³⁰⁰ _W	--	1
KEITH ²⁹⁰⁰ _N	--	1
29TH ST ⁹⁴⁰⁰ _W	--	1
MEADOW PARK ²⁹⁰⁰ _N	--	1
29TH ST ⁹⁰⁰⁰ _W	--	1
TYLER RD ³⁰⁰⁰ _N	--	2
29TH ST ⁸⁸⁰⁰ _W	--	1
MEADOW PARK ⁸⁷⁰⁰ _W	--	1
MEADOW PARK ⁸⁸⁰⁰ _W	--	1
TYLER RD ²⁸⁰⁰ _N	--	2
OAK RIDGE CIR ⁸⁷⁰⁰ _W	--	1

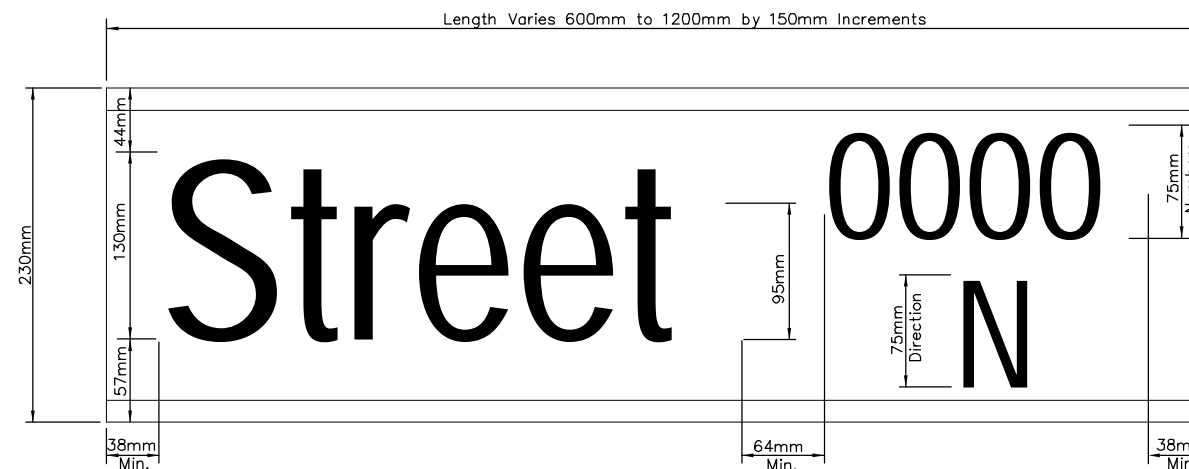
FOR INFORMATION ONLY.

NOTE: REFERENCES BELOW TO "STANDARD SPECIFICATIONS" DENOTE "STANDARD SPECIFICATION FOR STATE ROAD AND BRIDGE CONSTRUCTION EDITION 1990" BY THE KANSAS DEPARTMENT OF TRANSPORTATION.

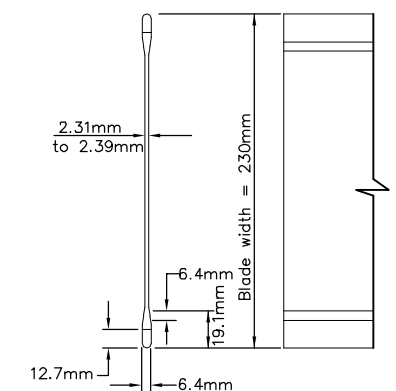
- POST ANCHORS: POSTS SHALL BE ANCHORED WITH A YIELDING BASE POST SUPPORT AS DETAILED.
- POSTS FOR TRAFFIC CONTROL SIGNS: POSTS SHALL CONFORM TO THE REQUIREMENTS OF SUBSECTION 1620 OF THE STANDARD SPECIFICATIONS EXCEPT THAT ALL POSTS SHALL WEIGH 4.46kg./m MINIMUM.
- STREET NAME SIGNS (SNS) SHALL BE POSITIONED SO THAT THE BOTTOM OF THE BLADES ARE 2.1M ABOVE GRADE.
- POSTS FOR END OF ROADWAY SIGN TO BE 2.4M LONG AND INSTALLED A MINIMUM OF 1.2M FROM ROADWAY TO BOTTOM OF SIGN.
- SIGN BLANKS FOR TRAFFIC CONTROL SIGNS: SIGN BLANKS SHALL BE FABRICATED FROM 0.203CM ALUMINUM ALLOY 6063-T6 CONFORMING TO THE REQUIREMENTS OF SUBSECTION 1626 OF THE STANDARD SPECIFICATIONS.
- SIGN BLADES FOR STREET NAME SIGNS: EXTRUDED ALUMINUM BLADES SHALL BE ALUMINUM ALLOY CONFORMING TO 6063-T6 OR 5052-H38 (ASTM SPECIFICATION B221, LATEST ISSUE). BLADES SHALL HAVE AN ALODINE OR PHOSPHATE ETCHED FINISH. BLADES SHALL HAVE SQUARE CORNERS AND NO HOLES.
MINIMUM BLADE LENGTH SHALL BE 600mm. MAXIMUM BLADE LENGTH SHALL BE 1200mm. LENGTH VARIES BY INCREMENTS OF 150mm.
BLADES BEARING THE STREET NAMES SHALL BE FIRMLY ATTACHED TO THE MOUNTING BRACKETS USING SCREWS. THE BLADES SHALL BE ORIENTED PARALLEL TO THE STREET.
- MOUNTING BRACKETS FOR SIGNS: ALUMINUM BRACKETS SHALL BE ALUMINUM ALLOY 360 HAVING A TENSILE STRENGTH OF 44,000 PSI. THE BRACKETS SHALL BE SMOOTHLY FINISHED FREE OF PITS, BURRS, AND FLAWS.
- FASTENERS: ALL STEEL FASTENERS FOR TRAFFIC CONTROL SIGNS SHALL BE GALVANIZED AND SHALL CONFORM TO THE REQUIREMENTS OF SUBSECTION 1614 OF THE STANDARD SPECIFICATIONS.
- REFLECTIVE SHEETING: REFLECTIVE SHEETING SHALL BE TYPE II - HIGH PERFORMANCE CLASS HA IN ACCORDANCE WITH SUBSECTION 2201 OF THE STANDARD SPECIFICATIONS.
- PROCESS INK: ALL PROCESS INK SHALL CONFORM TO THE REQUIREMENTS OF SUBSECTION 2202 OF THE STANDARD SPECIFICATIONS.
- DETAILS: REGULATORY AND WARNING SIGNS SHALL CONFORM TO THE DETAILS IN "STANDARD HIGHWAY SIGNS", FHWA, 1979.
- THE REFLECTIVE SHEETING FOR THE 230MM METRO SIZE SNS IS TO BE THE HIGHWAY GREEN BACKGROUND WITH SILVERWHITE #2 COPY WITH 130MM UPPER CASE AND LOWER CASE PRIMARY COPY AND SUFFIX COPY, BOTH SERIES "C". THE CARDINAL DIRECTION CENTERED DIRECTLY BELOW THE BLOCK NUMBER SHALL BE AN UPPER CASE, 75MM SERIES "C" LETTER. FACES TO TRIM TO A 216MM WIDTH. (SEE DETAIL B.)
SHOP DRAWINGS OF LAYOUT FOR SNS SHALL BE SUBMITTED TO THE TRAFFIC ENGINEERING DIVISION OF THE CITY OF WICHITA FOR APPROVAL PRIOR TO FABRICATION. THE FINISHED SIGNS AS SUPPLIED SHALL BE OF GOOD APPEARANCE, FREE FROM RAGGED EDGES, CRACKS SCALES OR BLISTERS AND SHALL BE CLEAN-CUT. SIGNS SHALL BE PACKED IN SUCH MANNER AS TO PREVENT DAMAGE OR DEFAACEMENT DURING SHIPMENT OR STORAGE.
- PERMANENT TRAFFIC CONTROL AND SNS: PERMANENT TRAFFIC CONTROL AND SNS SHALL BE MEASURED AND PAID FOR AT THE LUMP SUM PRICE FOR SIGNING. THE PAYMENT AS SET FORTH ABOVE SHALL BE CONSIDERED FULL COMPENSATION FOR ALL EXCAVATION, BACKFILLING, POSTS, ANCHORS, FASTENERS, MATERIALS, LABOR, TOOLS AND INCIDENTALS NECESSARY TO COMPLETE THIS WORK.



PERFORATED TUBE SIGN POST INSTALLATION



230mm METRO STREET NAME SIGN



**STREET NAME SIGN
BLADE DETAILS**

PROJECT NUMBER 472-83863		SHEET NAME Mnsndet		ENGINEERING DIRECTORY F:\29th North\Traffic	
DESIGN STAFF	DRAWN STAFF	APPROVED JFB	DATE Oct. 2004	SCALE None	BAUGHMAN NO 02-02-E232

CAPITAL IMPROVEMENT PROJECT
TRAFFIC & STREET SIGN DETAILS

BAUGHMAN COMPANY, P.A.
ENGINEERING, SURVEYING, & PLANNING
316-262-7271 • 315 ELLIS • WICHITA, KANSAS 67211

SHEET
73
OF
129