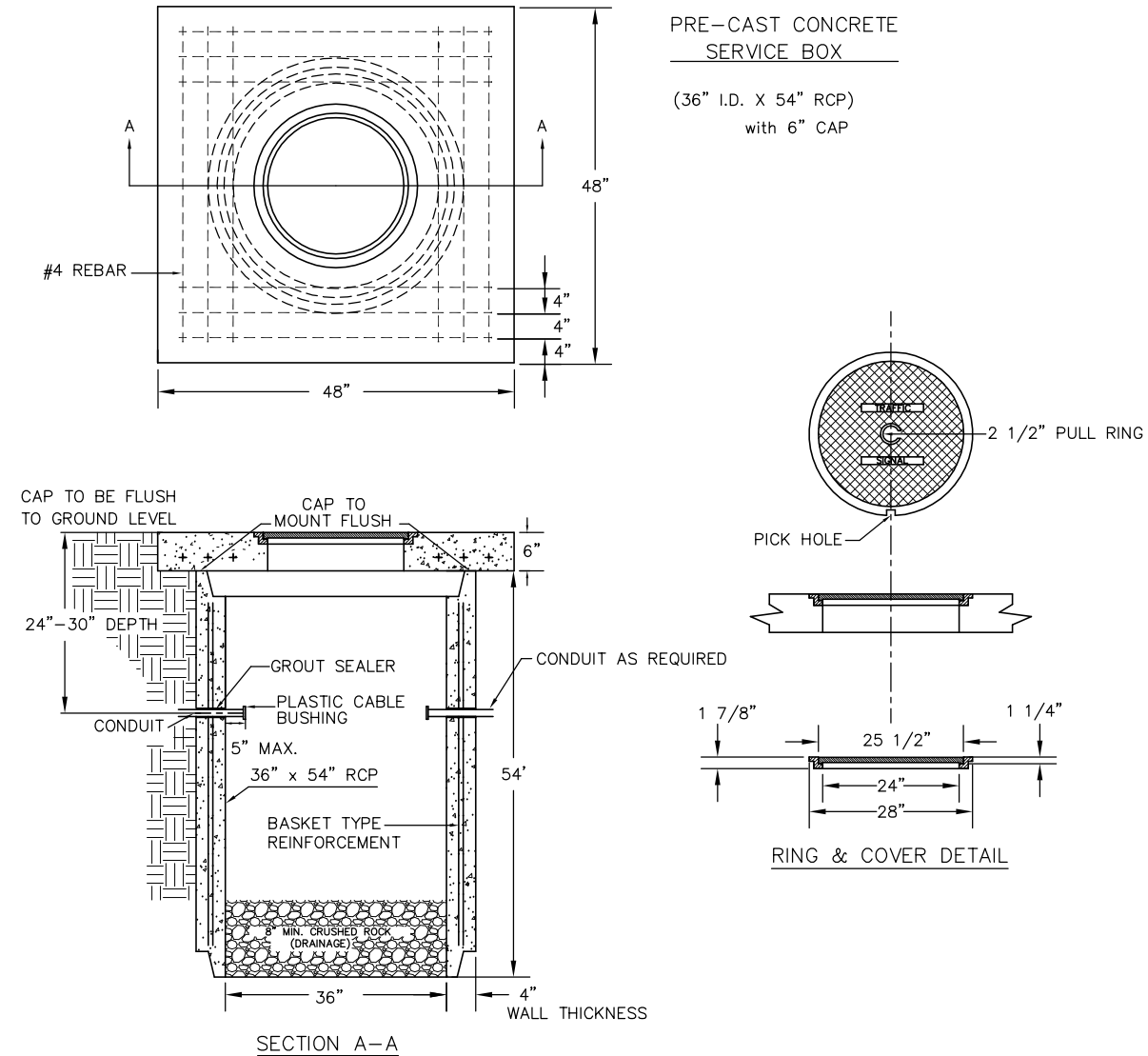
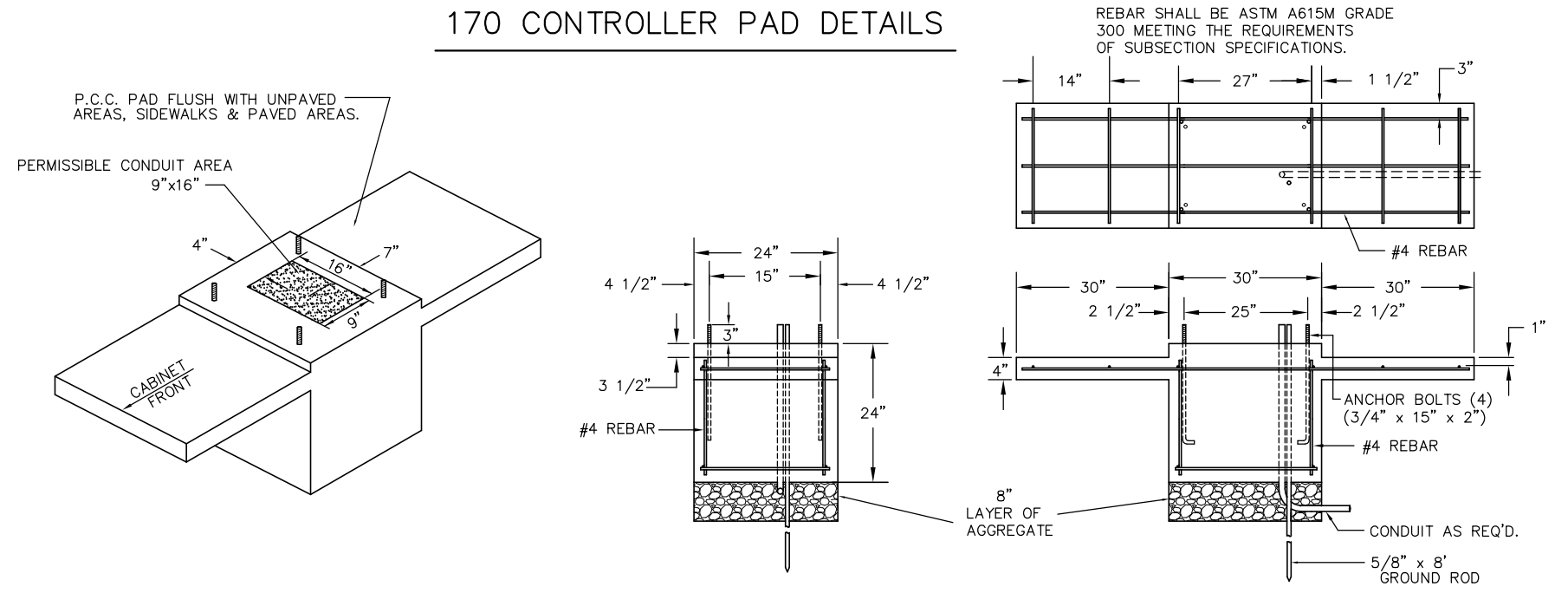


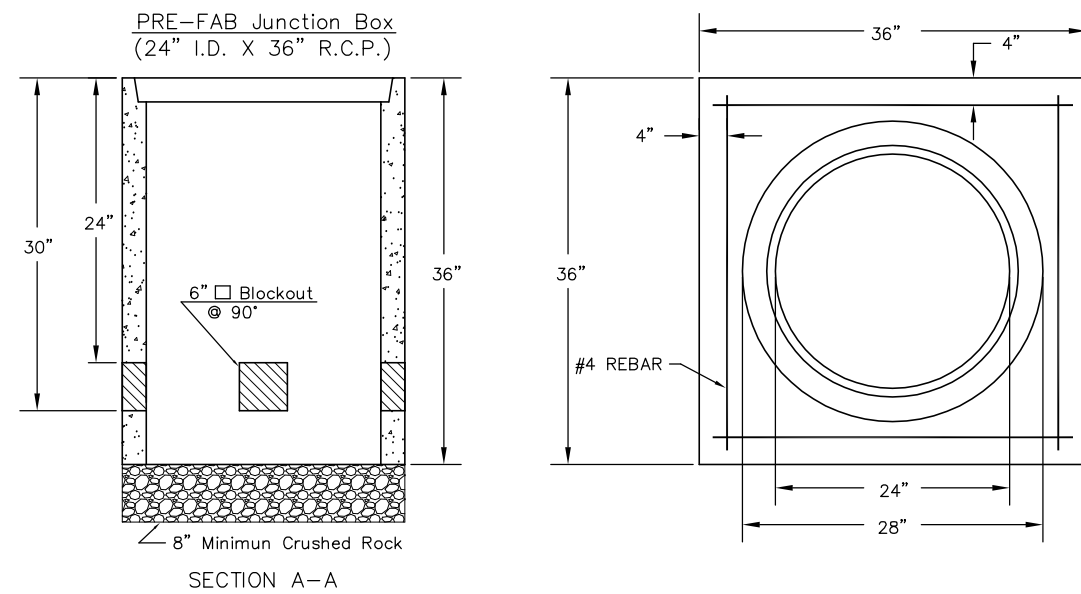
# SERVICE BOX CONSTRUCTION/INSTALLATION DETAILS



# 170 CONTROLLER PAD DETAILS



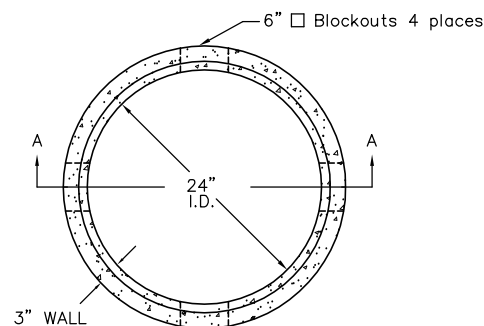
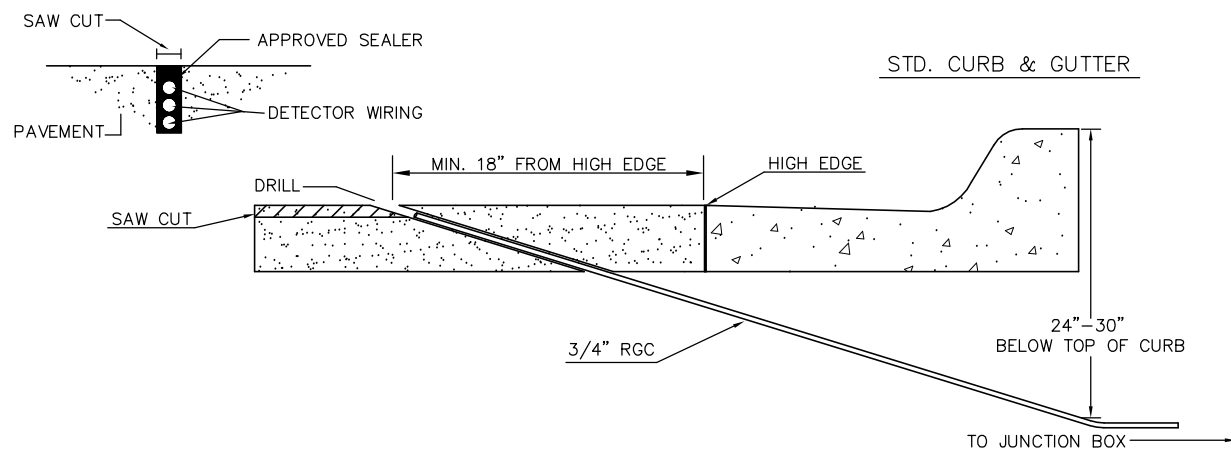
# JUNCTION BOX DETAILS



## NOTES:

- SERVICE & JUNCTION BOX:**
- CONDUIT CONNECTION TO BE FLUSH TO WITHIN 125 mm OF INSIDE FACE OF SIDE WALL, CONDUIT TO DRAIN INTO SERVICE BOX.
  - CONDUIT CONNECTIONS TO SERVICE BOX SHALL BE TERMINATED WITH PLASTIC CABLE BUSHING.
  - CONDUIT SHALL BE SEALED WITH APPROVED SEALER AT INSIDE WALL FACE.
  - ALL SERVICE & JUNCTION BOXES TO HAVE 200 mm OF CRUSHED ROCK.
- TRENCHING:**
- DEPTH TO BE 30" MINIMUM WITH ROCK & STUBBLE FREE BACKFILL TO SERVE AS BEDDING MATERIAL. MAINTAIN MINIMUM CONDUIT DEPTH IN TRENCH.
  - BACKFILL TO BE COMPACTED IN 6" LOOSE LIFTS BY HAND OR MECHANICAL TAMPING TO A 95% STANDARD DENSITY.
- CONDUIT:**
- SLOPE CONDUIT TO DRAIN AS DIRECTED BY THE ENGINEER.
  - 3" RIGID STEEL CONDUIT BTWN. SERVICE BOXES.  
1 1/4" " " " BTWN. SERVICE & JUNCTION BOXES.  
3/4" " " " BTWN. JUNCTION BOXES.  
3/4" " " " BTWN. JUNCTION BOX & DETECTOR LOOP SAW CUT

# CONDUIT/DETECTOR WIRE INSTALLATION DETAILS



\*\* SEE SERVICE BOX INSTALLATION FOR RING & COVER DETAILS.

REV. DATE	COMMENTS	INT

J:\CIVIL\03392\DWG\DETAILS\SB-DTL.DWG  
PROJECT DESCRIPTION

**SERVICE/JUNCTION BOX, CONTROLLER PAD CONSTRUCTION/INSTALLATION DETAILS**

PROJECT NUMBER: 87 N-0307-01

DRAWN BY: T.M. APPROVED BY: DATE: Apr. 96

**CITY OF WICHITA**  
DEPARTMENT OF PUBLIC WORKS

TRAFFIC ENGINEERING DIVISION  
PAUL GUNZELMAN, P.E. TRAFFIC ENGINEER

SCALE: 52/89  
NO SCALE SHEET/OF