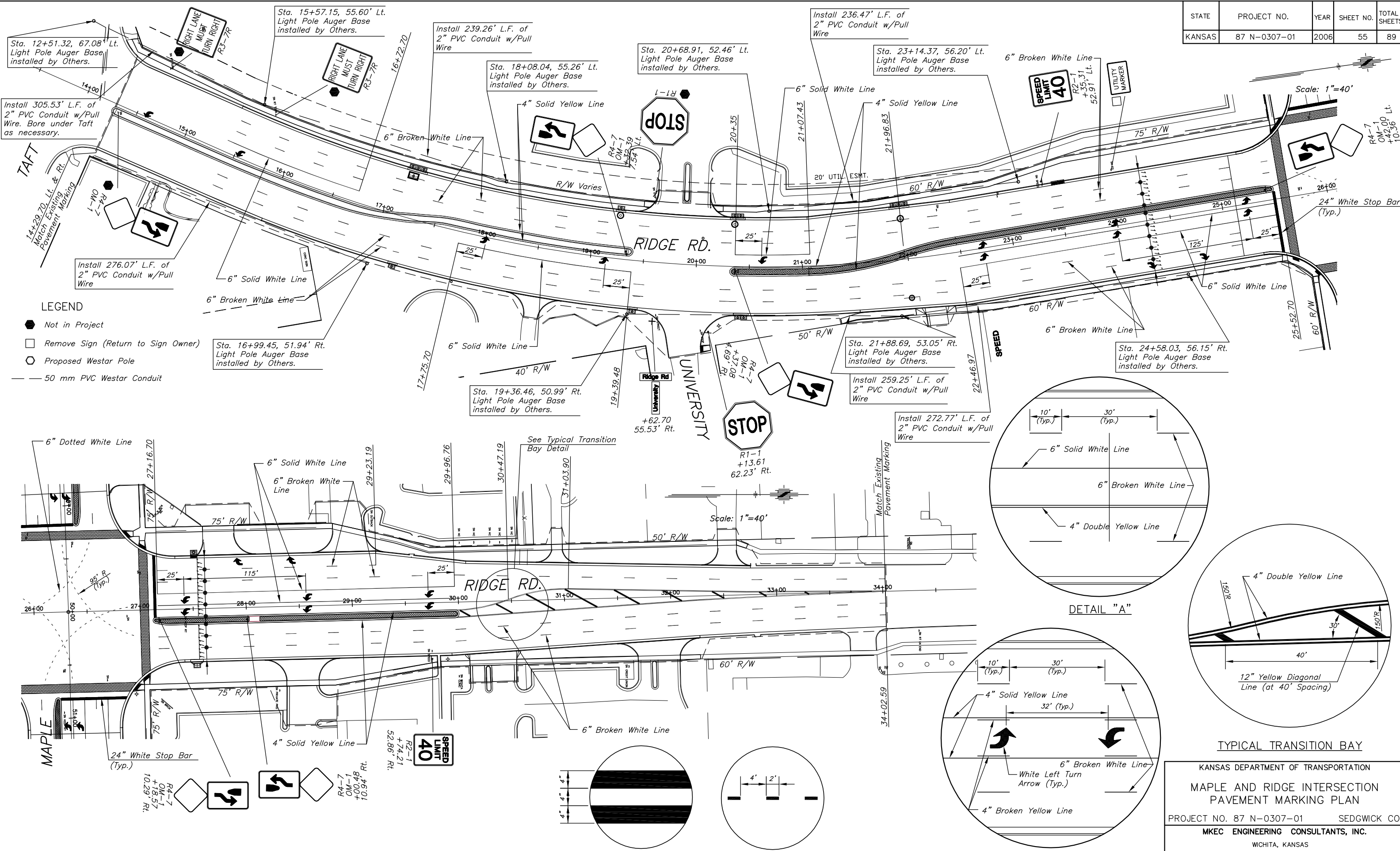
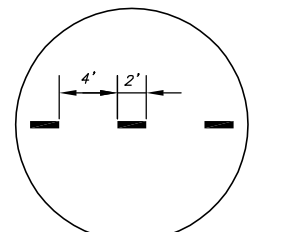
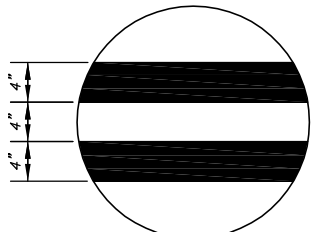
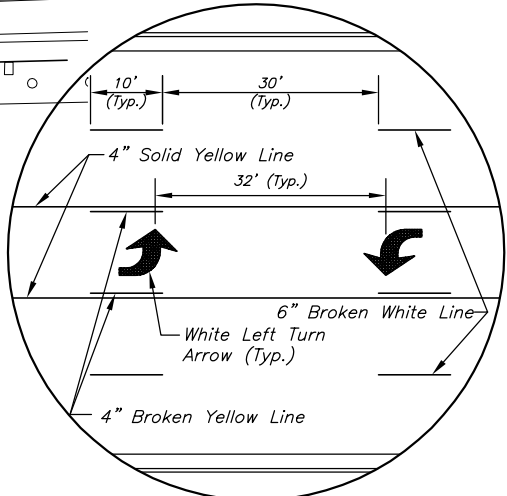
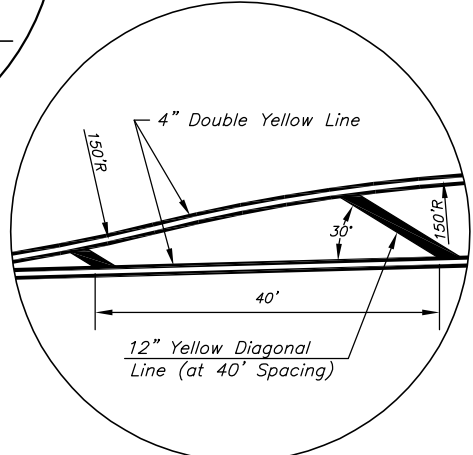
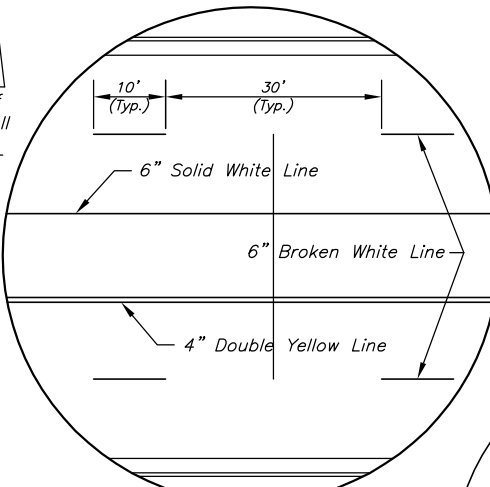


STATE	PROJECT NO.	YEAR	SHEET NO.	TOTAL SHEETS
KANSAS	87 N-0307-01	2006	55	89



- LEGEND**
- Not in Project
 - Remove Sign (Return to Sign Owner)
 - Proposed Westar Pole
 - 50 mm PVC Westar Conduit



KANSAS DEPARTMENT OF TRANSPORTATION
 MAPLE AND RIDGE INTERSECTION
 PAVEMENT MARKING PLAN
 PROJECT NO. 87 N-0307-01 SEDGWICK CO.
 MKEC ENGINEERING CONSULTANTS, INC.
 WICHITA, KANSAS

DESIGNED BY: JRA CHECKED BY: JRA
 DRAWN BY: WNJ DATE: JULY 2004 SHEET 55 OF 89