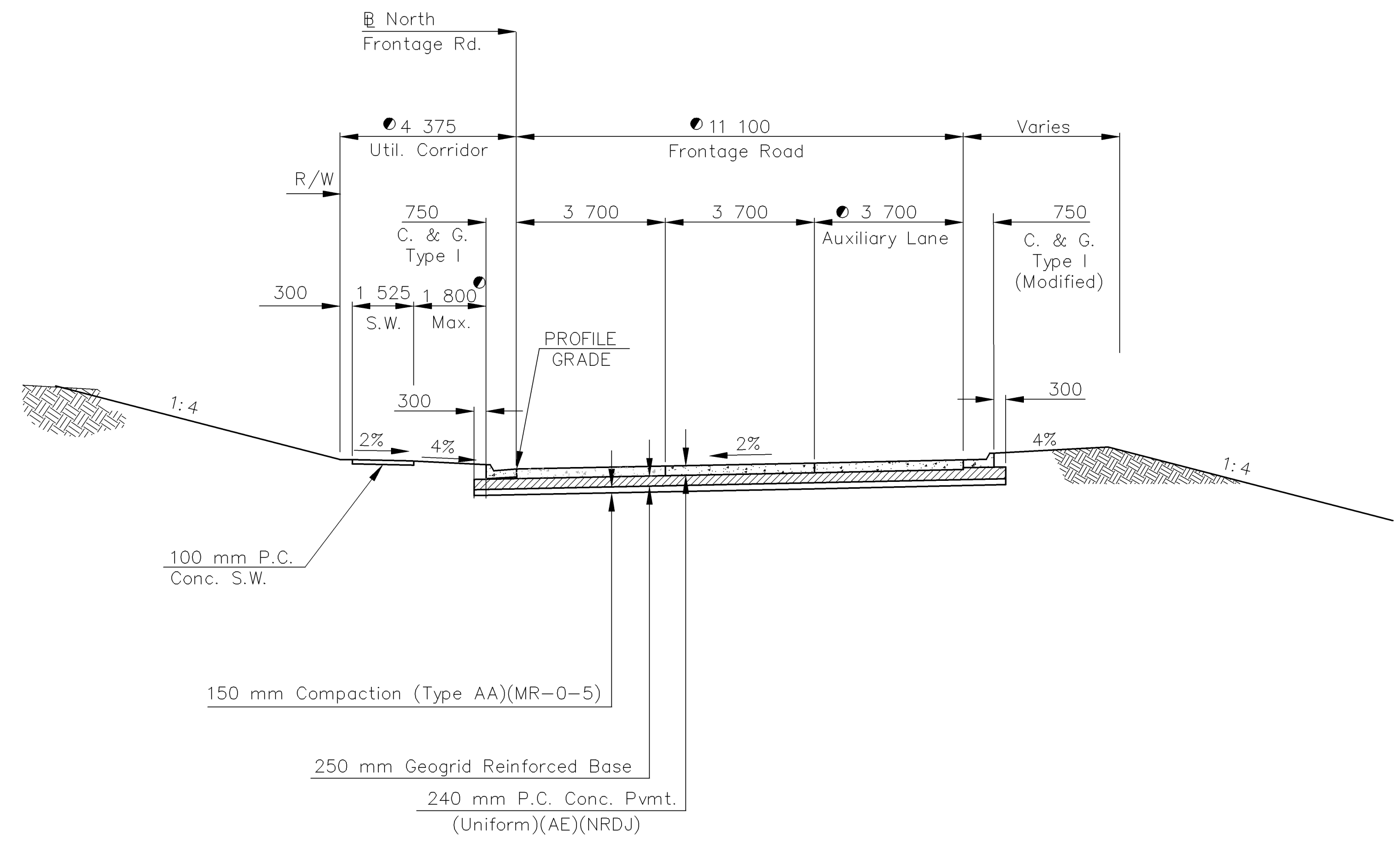


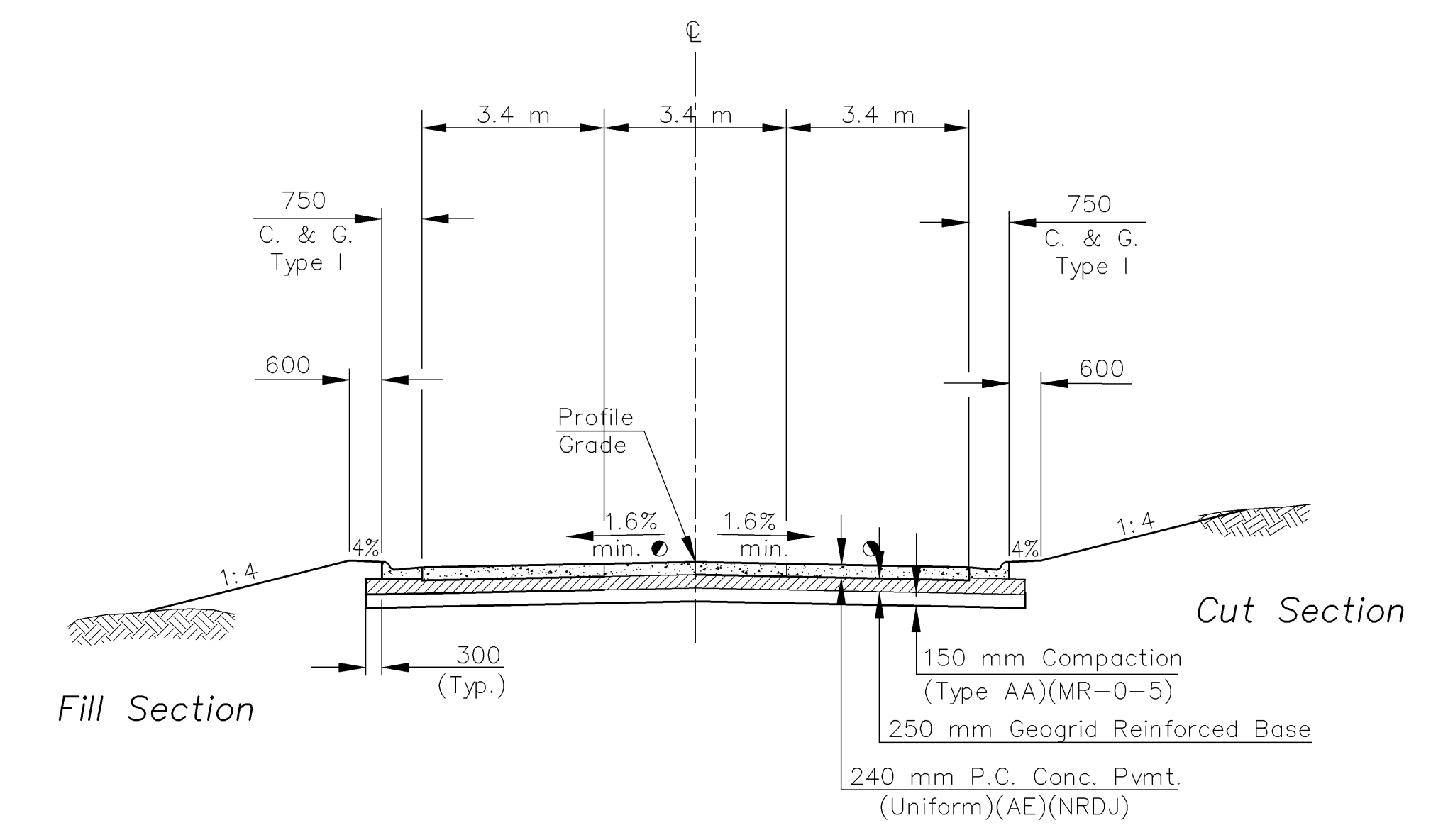
| F.H.W.A. REGION NO. | STATE | PROJECT NO. | YEAR | SHEET NO. | TOTAL SHEETS |
|---------------------|--------|-----------------|------|-----------|--------------|
| 7 | KANSAS | 54-87 K-8258-04 | 2004 | 3 | 60 |

| DATE | BY | REFERENCE NOTED | REFERENCE CHECKED |
|------|----|-----------------|-------------------|
| | | | |

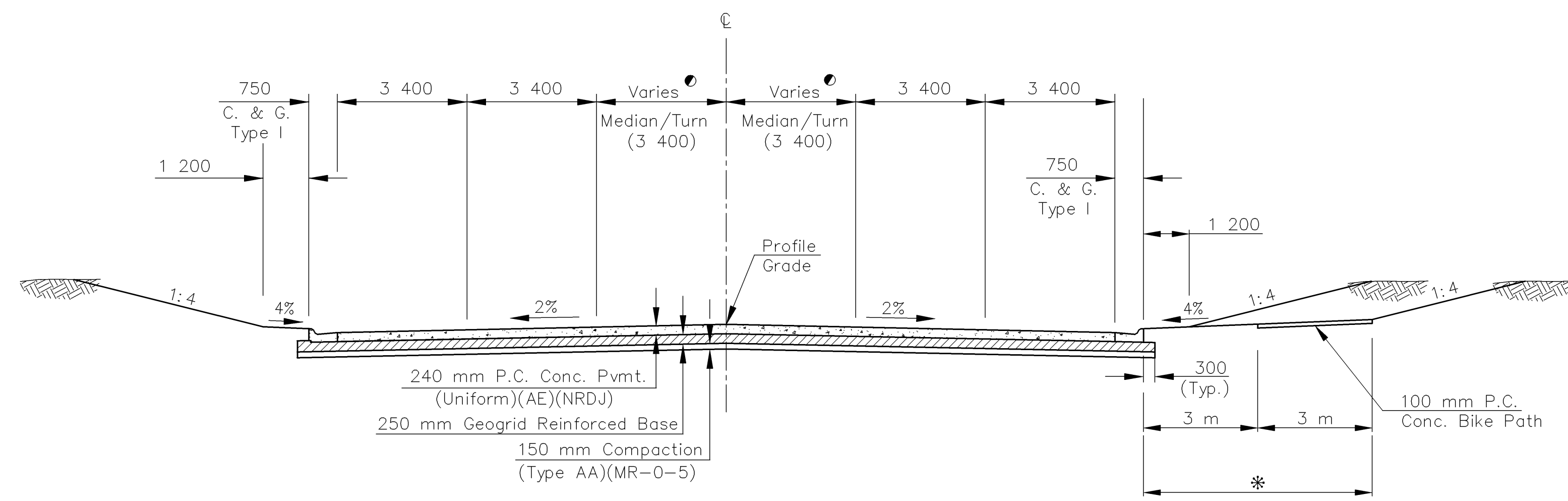


TYPICAL SECTION
NORTH FRONTAGE ROAD
Sta. 3+353.731 To Sta. 3+472.957

● Varies, See Plan Sheets



TYPICAL SECTION
ARMOUR ACCESS ROAD
Sta. 4+950 To Sta. 5+010



TYPICAL SECTION
ARMOUR ROAD
Sta. 49+745 To Sta. 49+982.480

* Construct Bike Path 37 m
Lt. Sta. 49+825.046 to 15.5 m
Lt. Sta. 49+955.930

Drawn by: [Blank]
Plotted: [Blank]
File: [Blank]
SCALE



KANSAS DEPARTMENT OF TRANSPORTATION

TYPICAL SECTIONS
NORTH FRONTAGE RD., ARMOUR RD.,
& ARMOUR ACCESS RD.

City Of Wichita Sedgwick, Co.