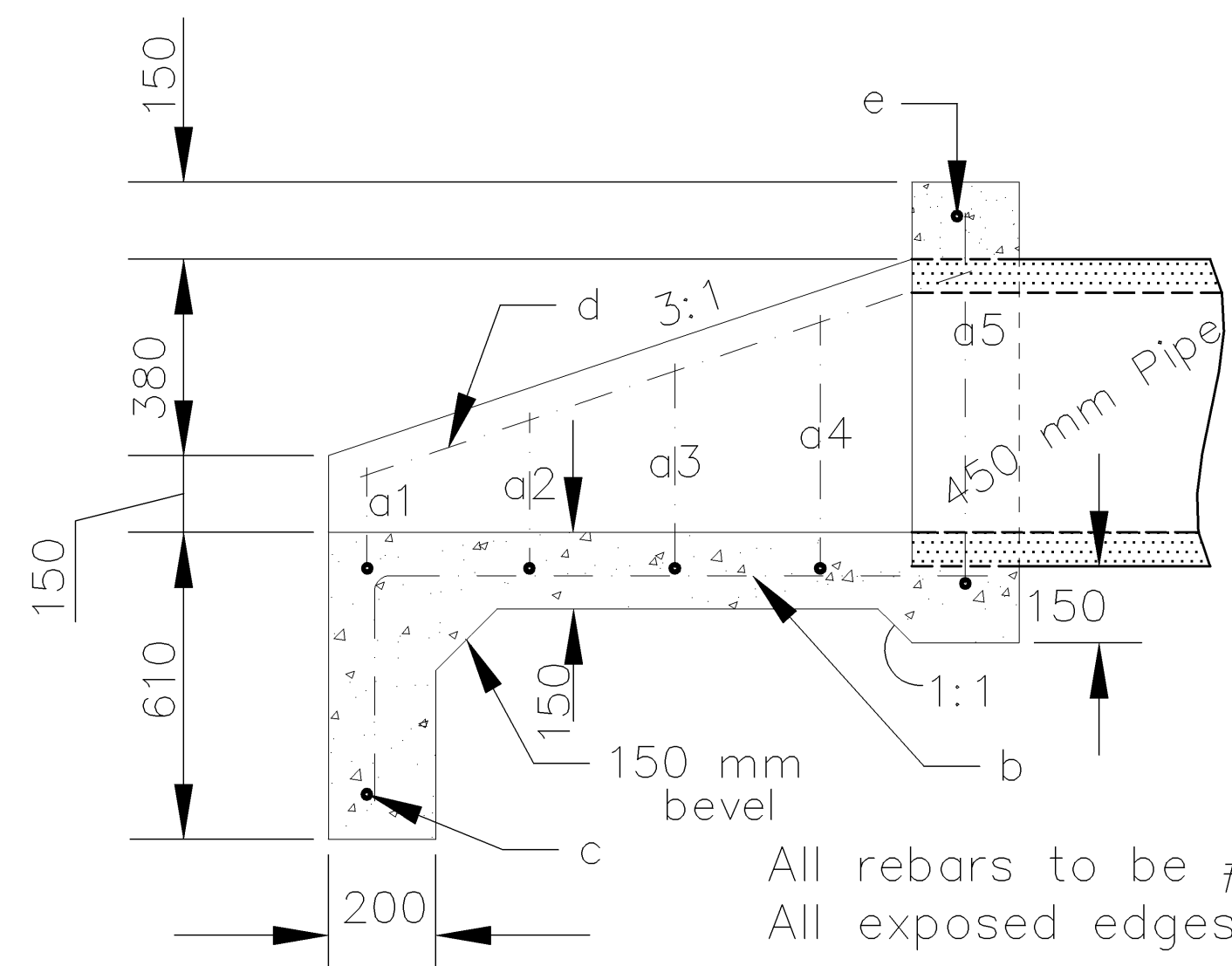
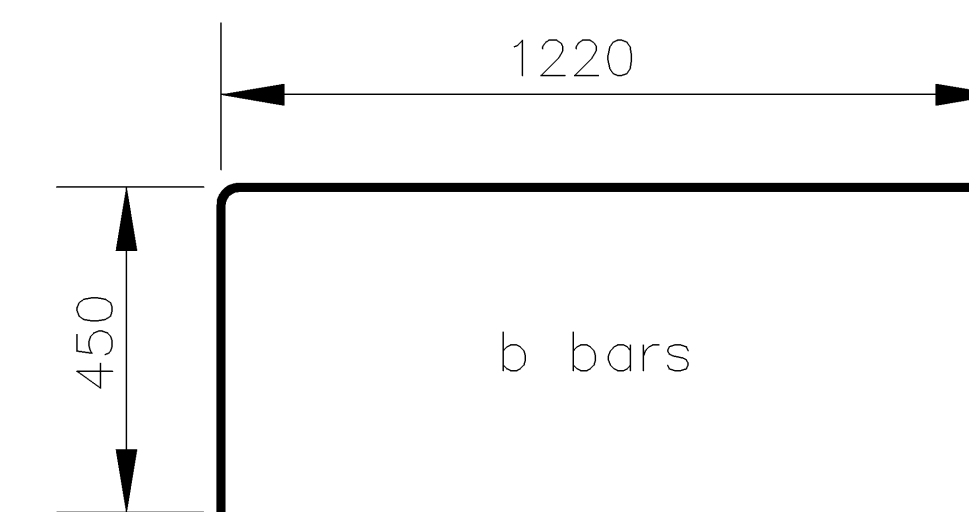
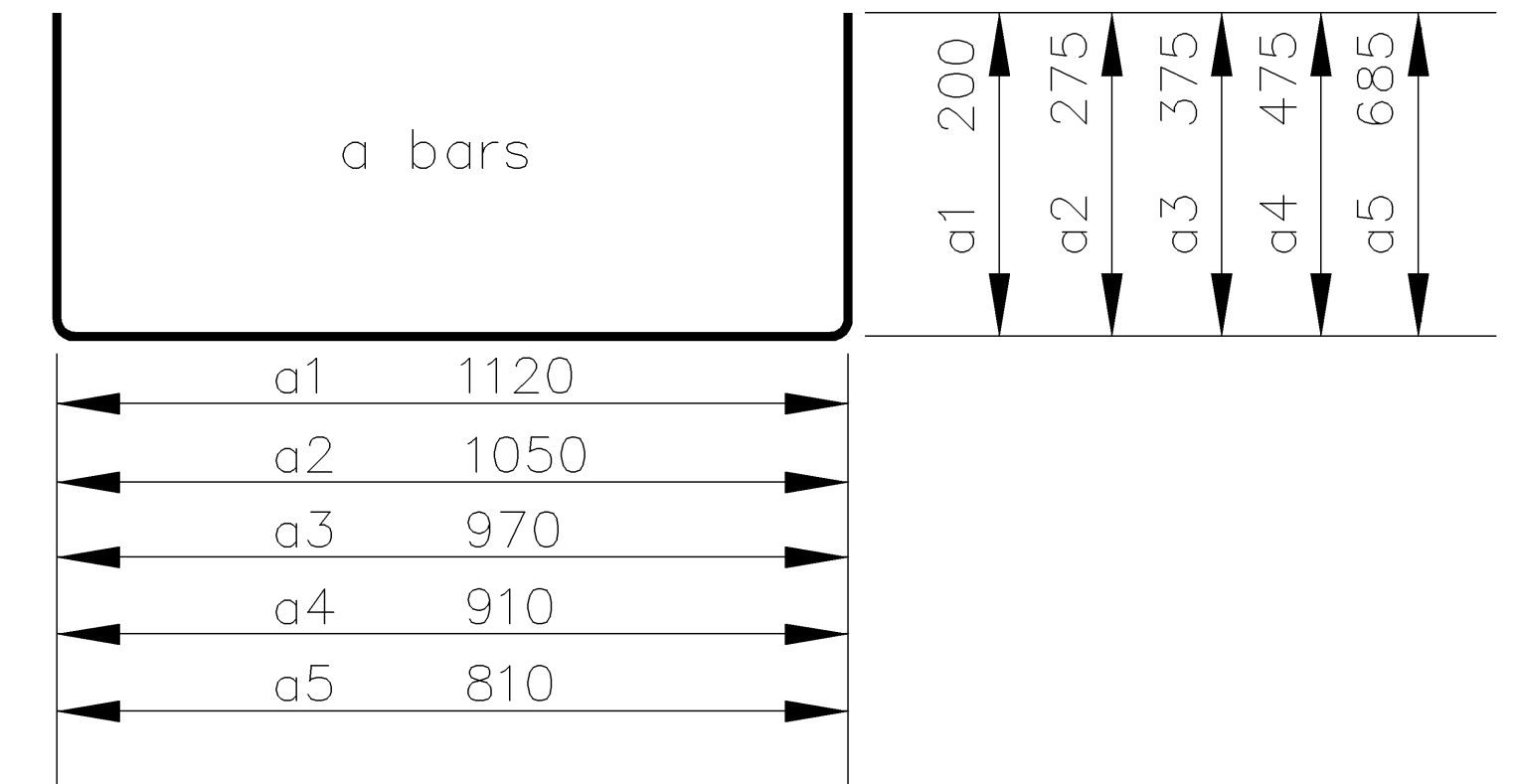


PLAN



SECTION

All rebars to be #13.
All exposed edges to have 13 mm bevel.

| TABLE OF QUANTITIES | | | |
|-----------------------|--------|--------|-------|
| BAR | NUMBER | LENGTH | SHAPE |
| a1 | 1 | 1520 | ┌───┐ |
| a2 | 1 | 1600 | ┌───┐ |
| a3 | 1 | 1720 | ┌───┐ |
| a4 | 1 | 1860 | ┌───┐ |
| a5 | 1 | 2180 | ┌───┐ |
| b | 5 | 1670 | ┌───┐ |
| c | 1 | 1220 | ─── |
| d | 2 | 1220 | ─── |
| e | 1 | 960 | ─── |
| Reinforcing Steel, Kg | | | 2.2 |
| Concrete, cu m | | | 0.7 |

All rebars to be #13.

HEADWALL FOR 450 mm PIPE

HwL18-30.DWG

| | | |
|--|--|----------------------|
| <p>THE CITY OF WICHITA</p> <p>CITY ENGINEER'S OFFICE CITY HALL - SEVENTH FLOOR 455 NORTH MAIN STREET WICHITA, KANSAS 67202 (316) 268-4501 (316) 268-4114 FAX</p> | HEADWALL DETAILS FOR 450 mm PIPE | |
| | M. E. LINDEBAK P.E. - CITY ENGINEER | |
| | PROJECT NUMBER XXX-XXXX | INDEX CODE XXXXXX |
| | DATE MAR 96 | SHEET 22 OF 60 |