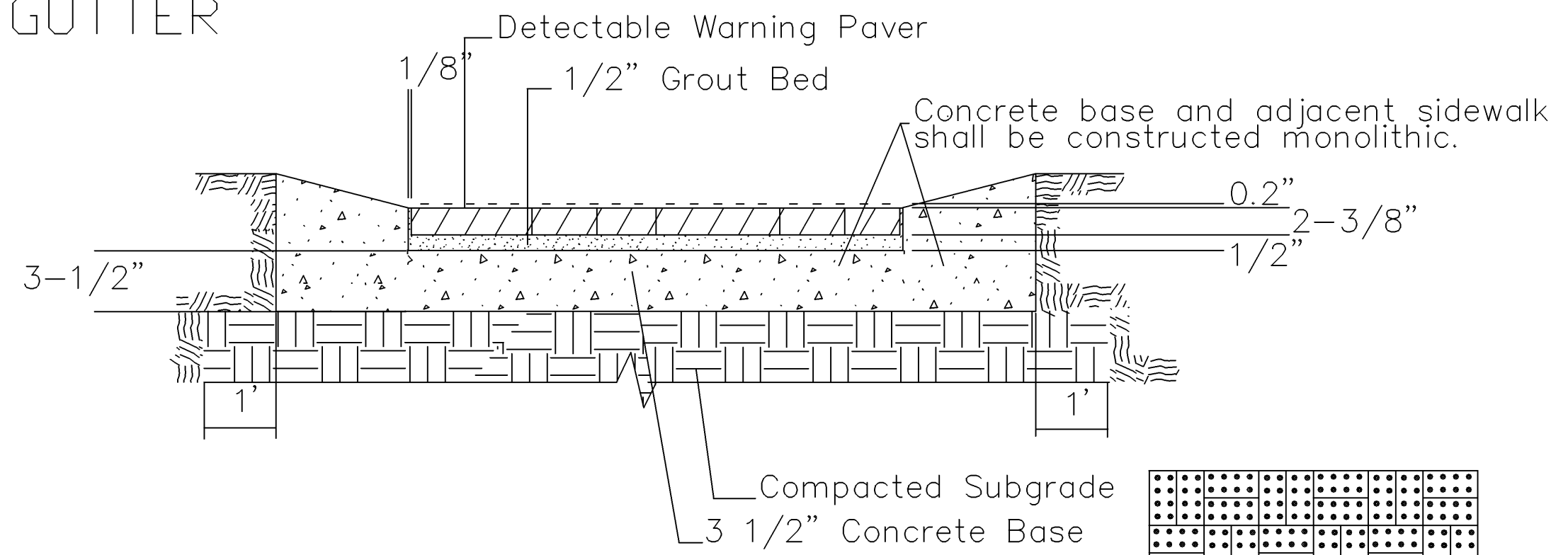
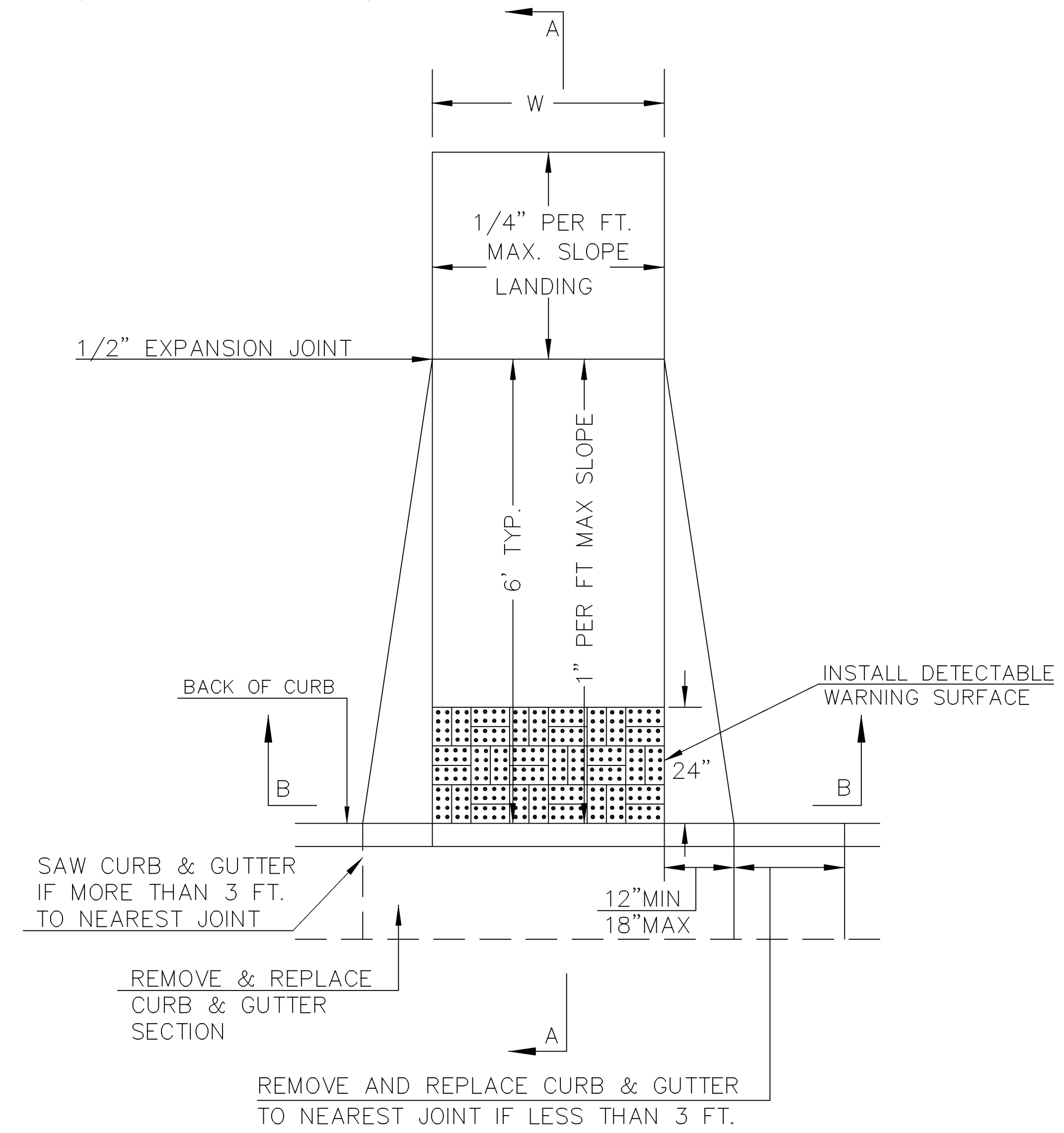


F.H.W.A. REGION NO.	STATE	PROJECT NO.	FISCAL YEAR	SHEET NO.	TOTAL SHEETS
7	KANSAS	87 N-0306-01	2005	18	111

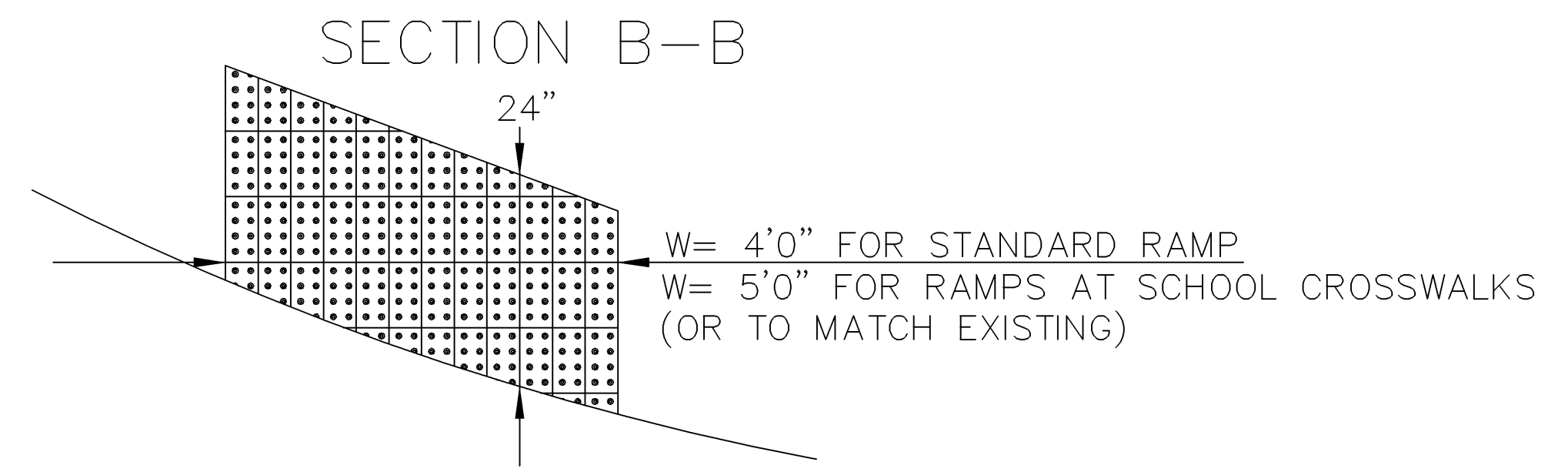
(TYPE A)
 STANDARD WHEELCHAIR RAMP
 WITH DETECTABLE WARNING
 CONSTRUCTION DETAIL FOR STREETS
 WITH COMBINED CURB & GUTTER

W= 4'0" FOR STANDARD RAMP
 W= 5'0" FOR RAMPS AT SCHOOL CROSSWALKS
 (OR TO MATCH EXISTING)

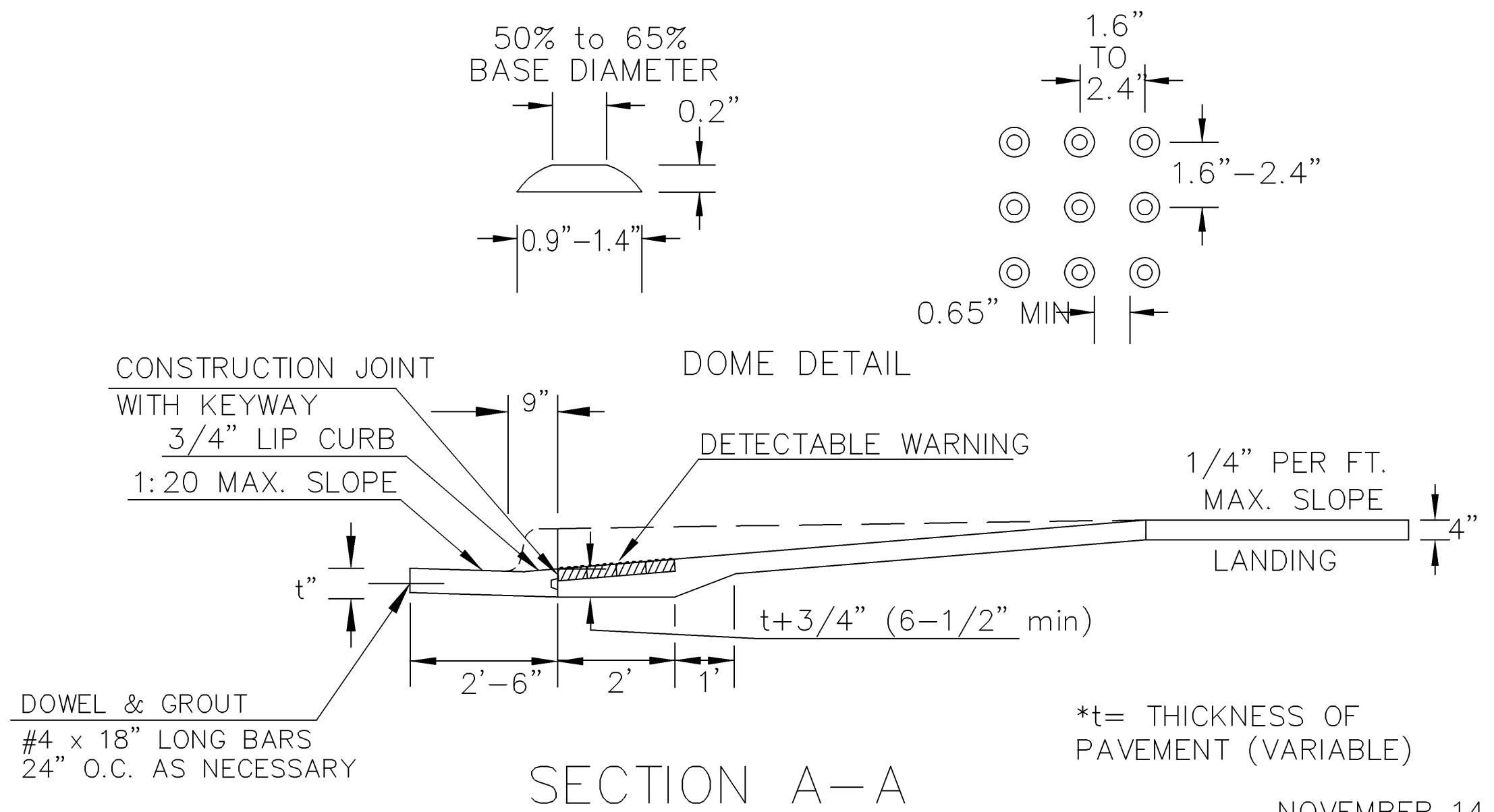


TYPICAL SECTION DETECTABLE WARNING PAVER

NOTE: RAMPS TO COMPLY WITH LATEST ADAAG GUIDELINES. PAVESTONE DETECTABLE WARNING PAVERS (OR AN APPROVED EQUAL) SHALL BE USED IN ALL WHEELCHAIR RAMPS. THE RED PAVER SHALL BE INSTALLED USING A BASKET WEAVE/PARQUET PATTERN. OTHER PATTERNS MAY BE USED WITH APPROVAL OF ENGINEER. SAND FILL JOINTS. ALIGN DOMES IN THE DIRECTION OF PEDESTRIAN TRAVEL.



NOTE: USE THIS BRICK PATTERN WHEN RAMP INTERSECTS A RADIUS. OTHER MINIMUM STANDARDS REMAIN THE SAME.



NOVEMBER 14, 2003

WHEELCHAIR RAMP DETAILS		 Cook, Flatt & Strobel ENGINEERS, P. A.
29TH STREET STREET		
DESIGNED	SCALE	CITY OF WICHITA
DETAILED	DATE 3/2005	
QUANTITIES	SHEET 18 OF 111	