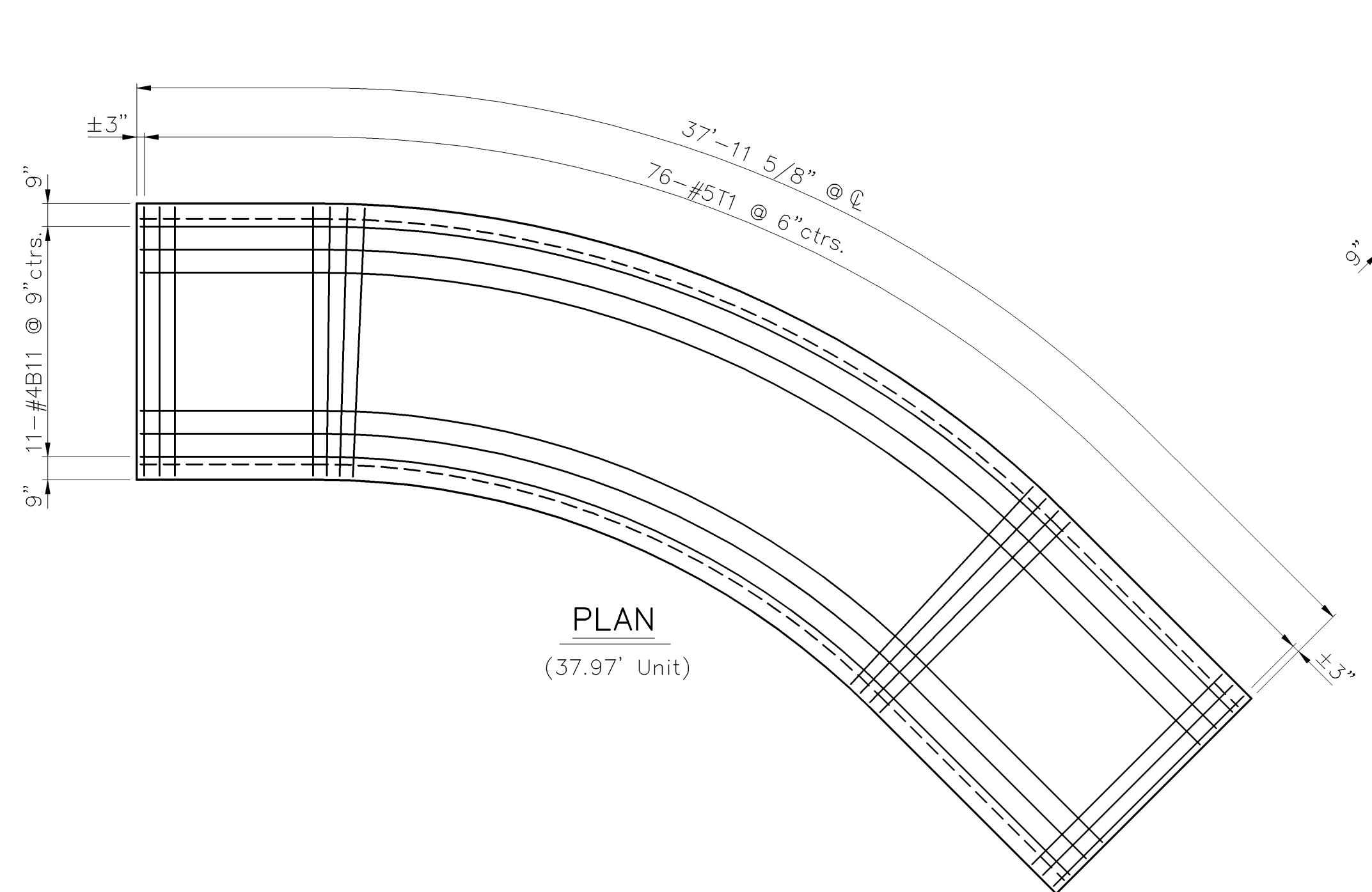
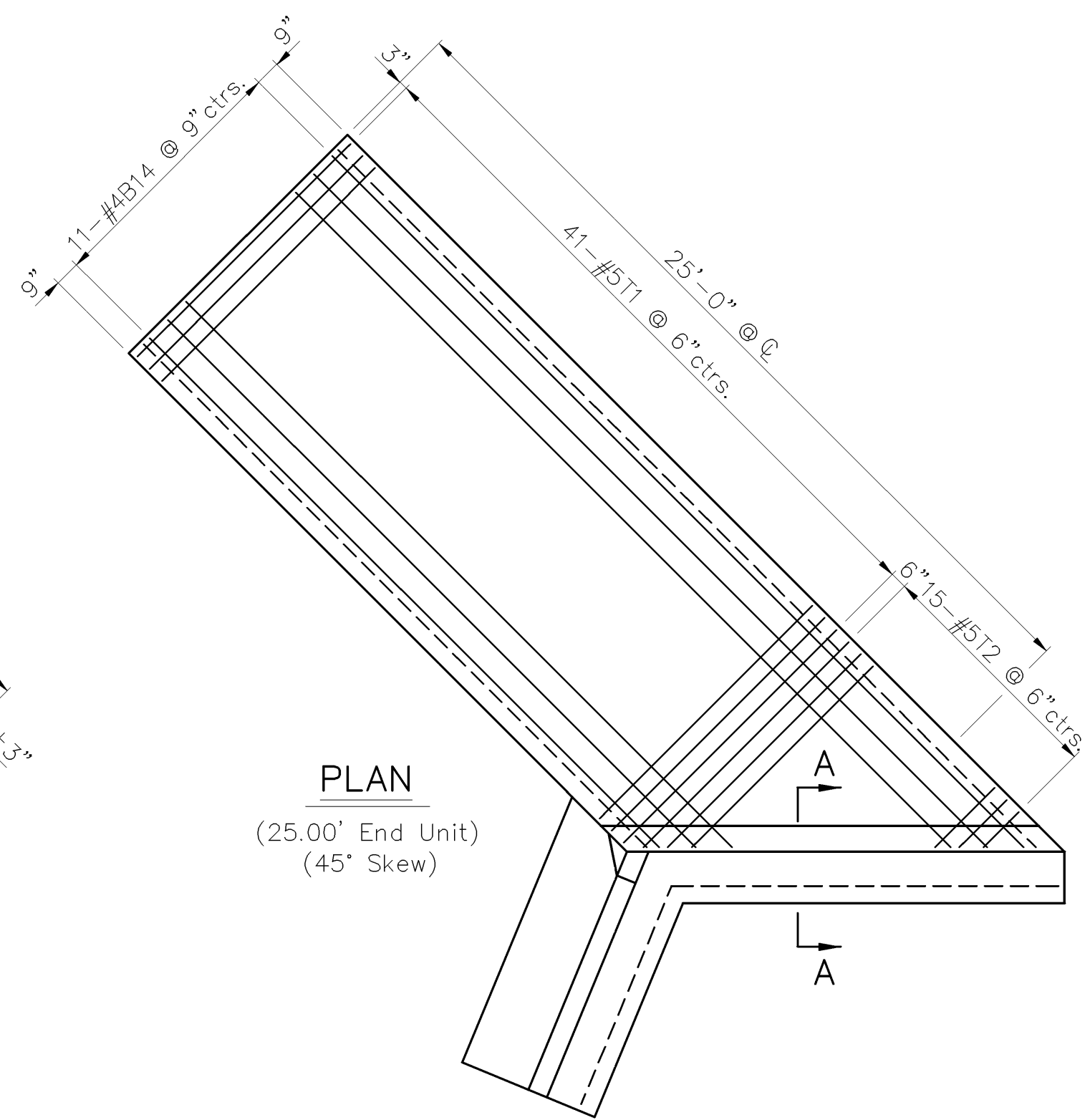


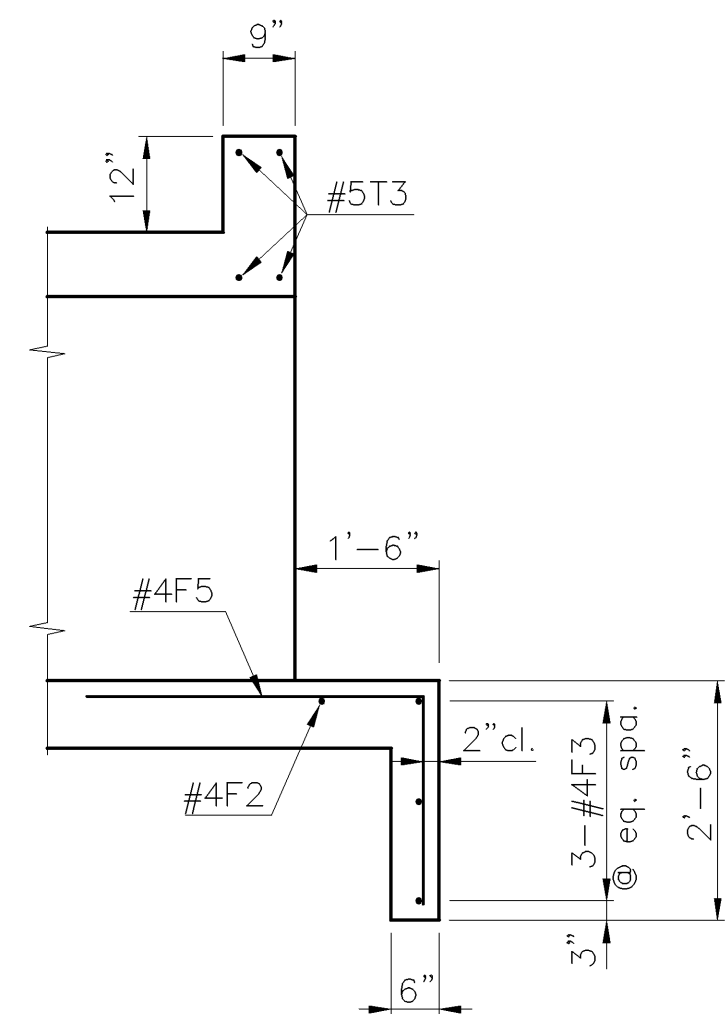
STATE	PROJECT NO.	YEAR	SHEET NO.	TOTAL SHEETS
KANSAS	87 N-0306-01	2005	31	111



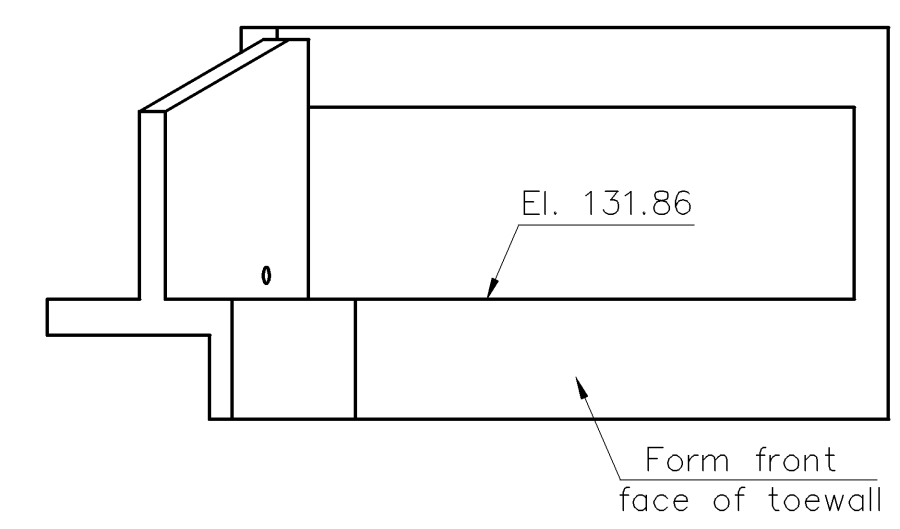
PLAN
(37.97' Unit)



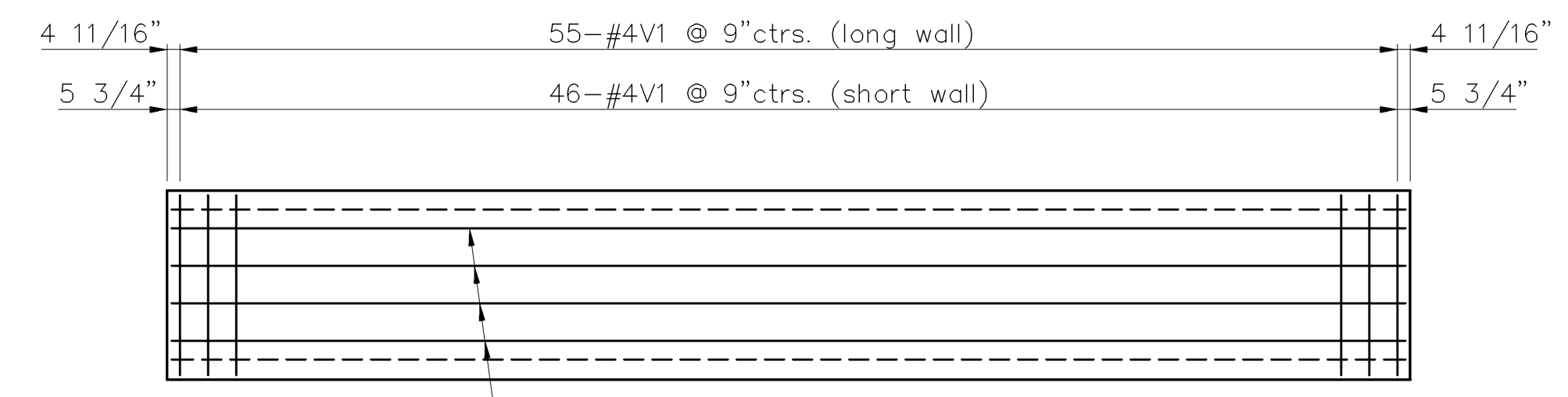
PLAN
(25.00' End Unit)
(45° Skew)



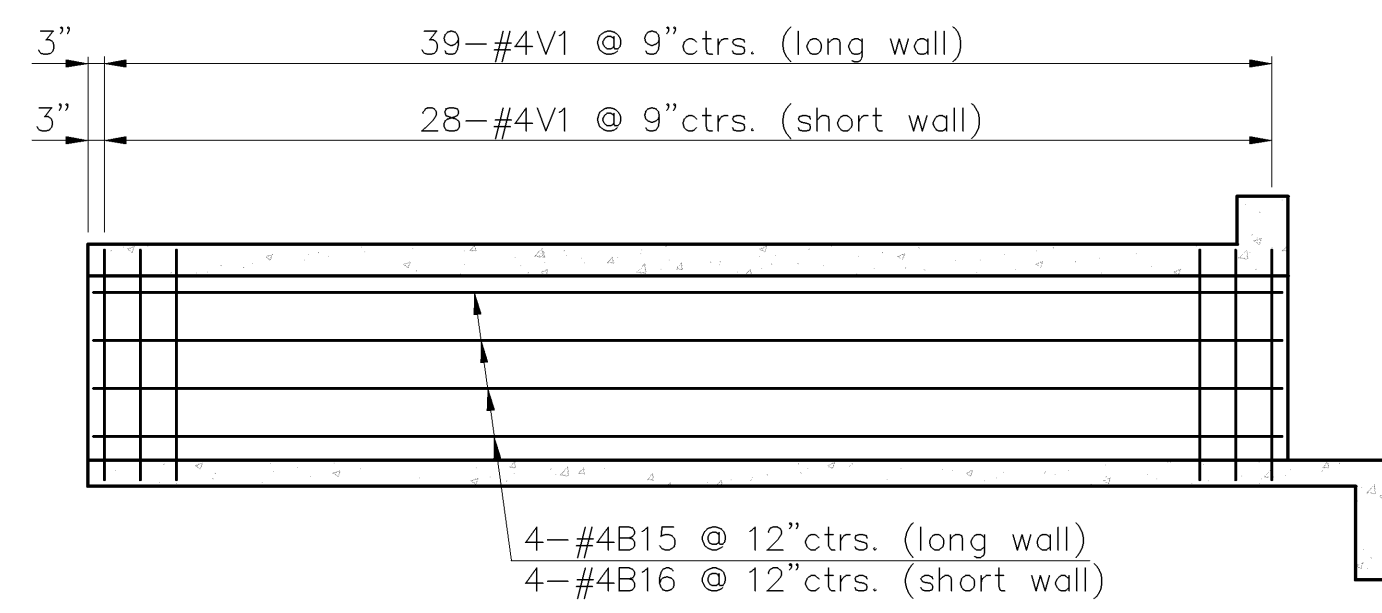
SECTION A-A



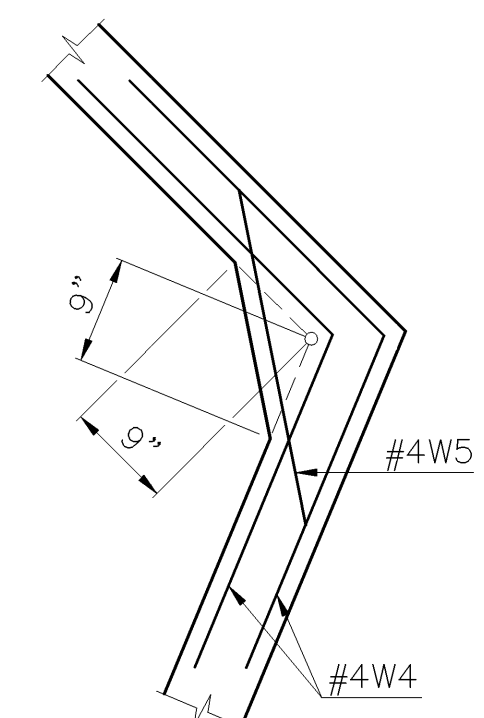
END ELEVATION



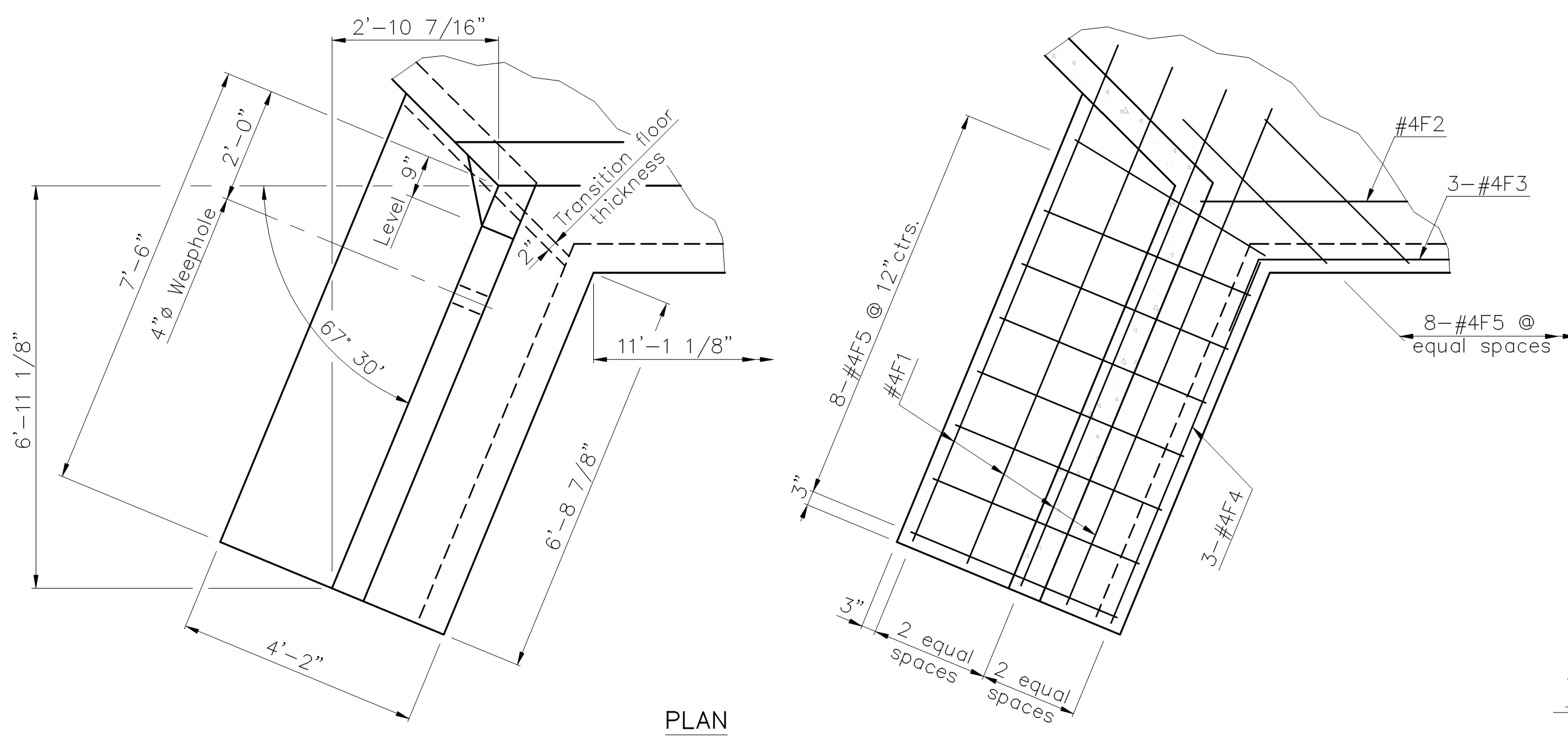
ELEVATION
(37.97' Unit)



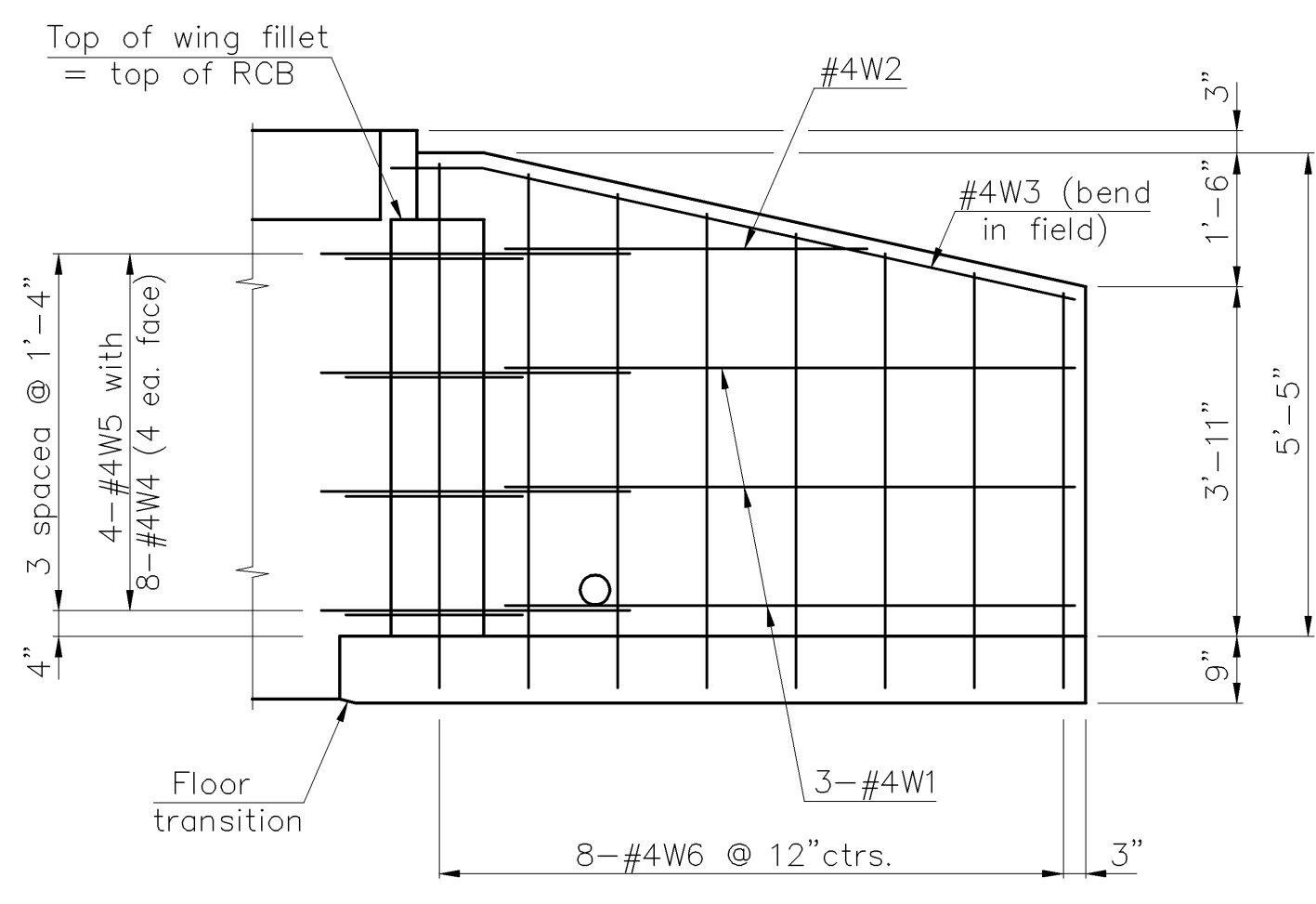
ELEVATION & SECTION
(25.00' End Unit)



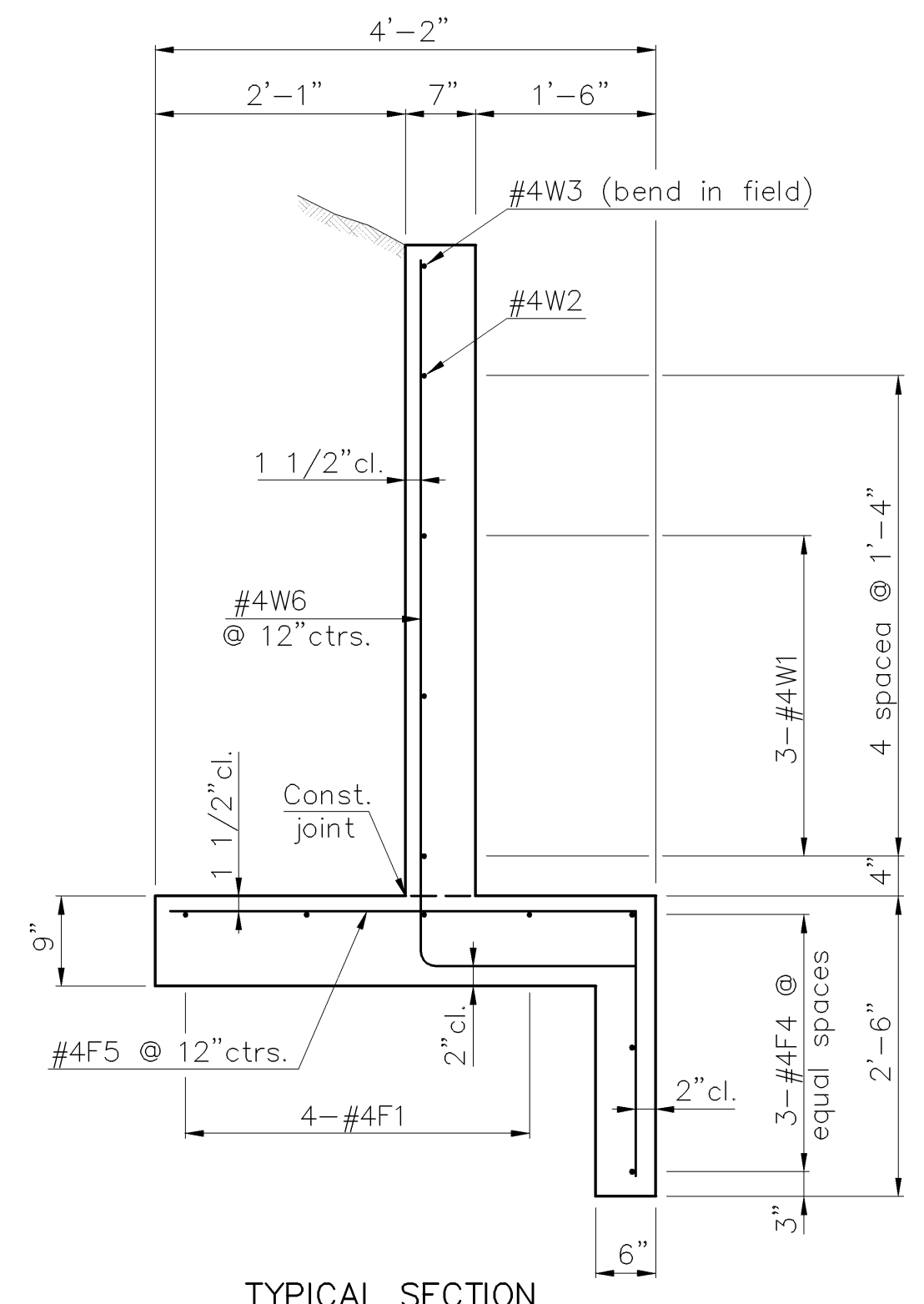
FILLET DETAIL



PLAN



WING ELEVATION
(Earth face shown)



TYPICAL SECTION

PROJECT NO. 87 N-0306-01

8' X 4' R.C.B.

29TH STREET NORTH

STA. 119+45 - 135+49.96 CITY OF WICHITA

CFS
Cook, Flatt & Strobel
ENGINEERS, P.A.

DESIGNED	RSC	SCALE
DETAILED	DEG	DATE 9/2005
QUANTITIES	SHEET 31	OF 111

J:\2003PROJ\03546\DWGS\RCB2 1"-4"