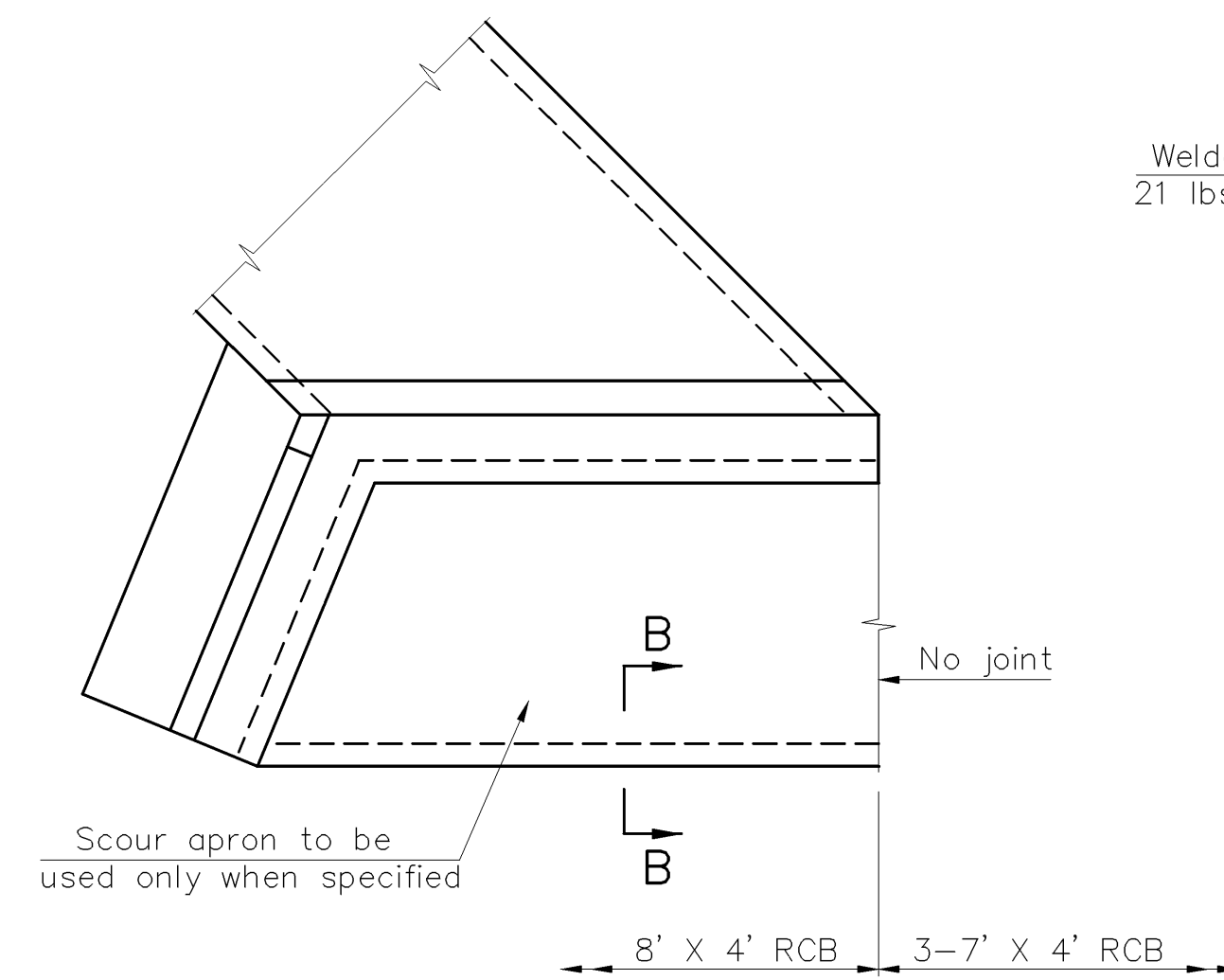
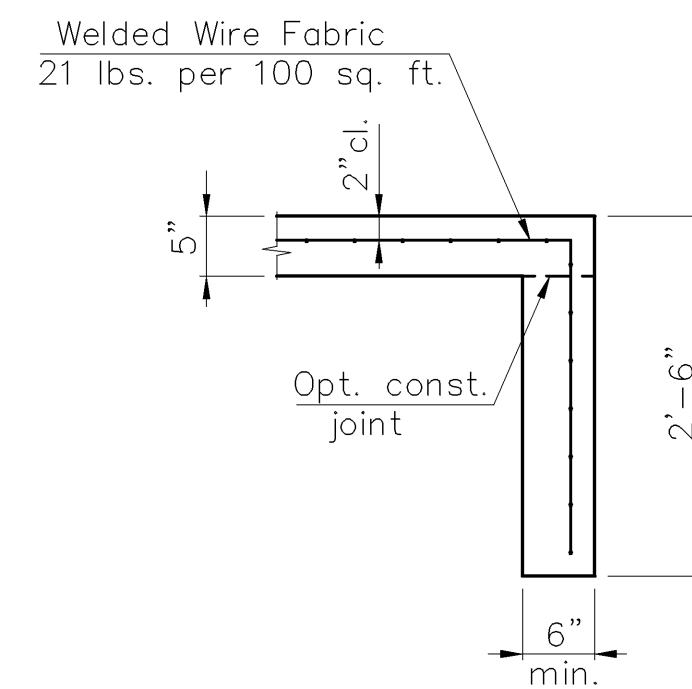


STATE	PROJECT NO.	YEAR	SHEET NO.	TOTAL SHEETS
KANSAS	87 N-0306-01	2005	32	111

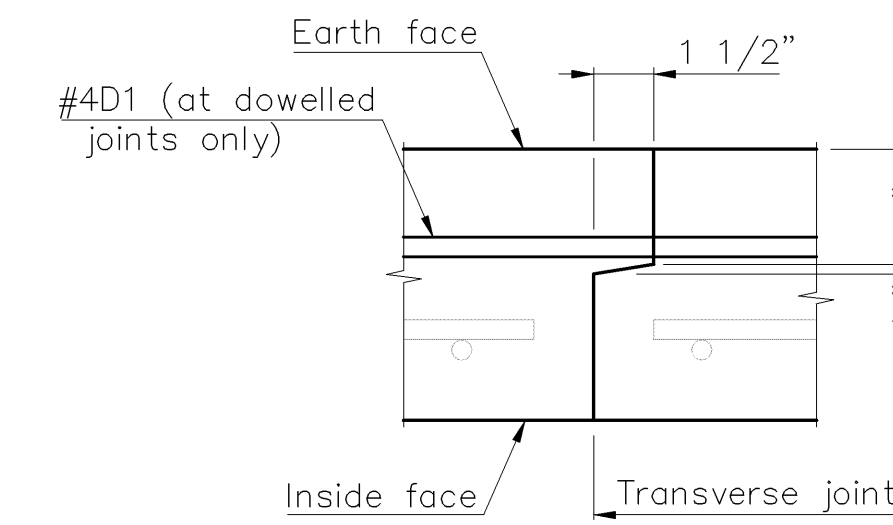


**APRON DETAIL**

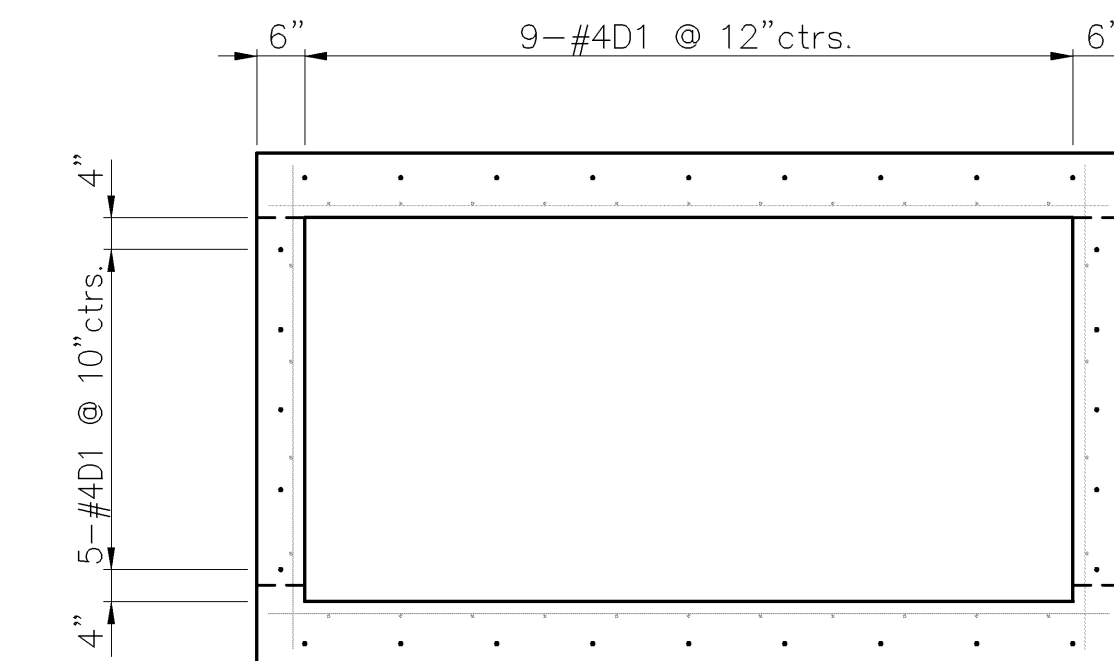


**SECTION B-B**

Note: Construction joint may be used at the Contractors option when approved by the Engineer. Reinforcing may be spliced thus with a minimum overlap of 1'-3". No increase in quantities or cost shall be allowed when Contractor elects this option.



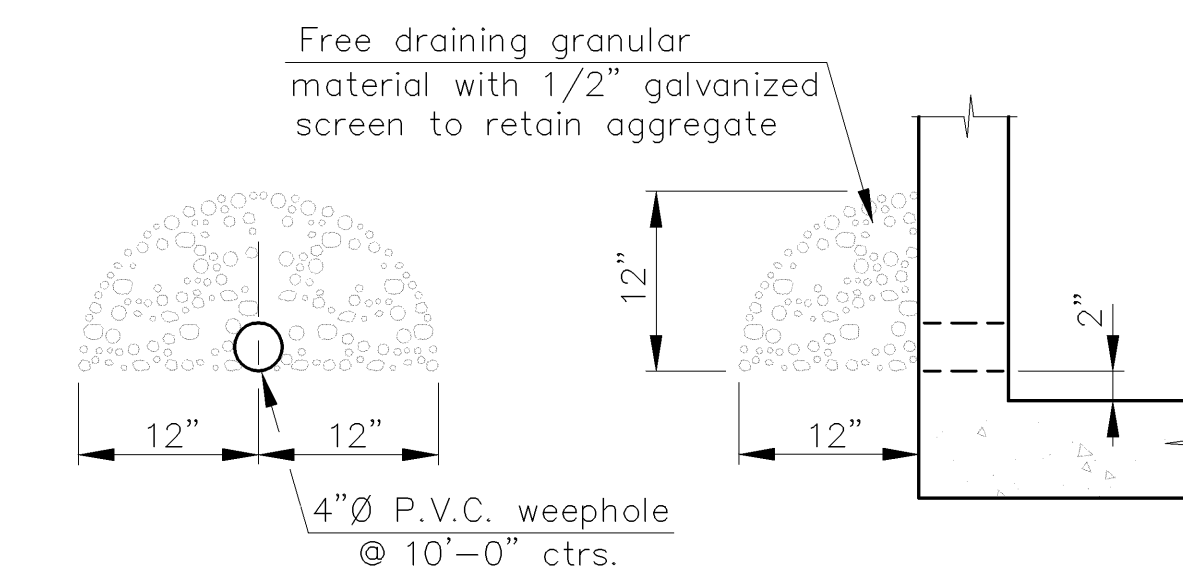
**TYPICAL SECTION**



**DOWEL LOCATIONS**

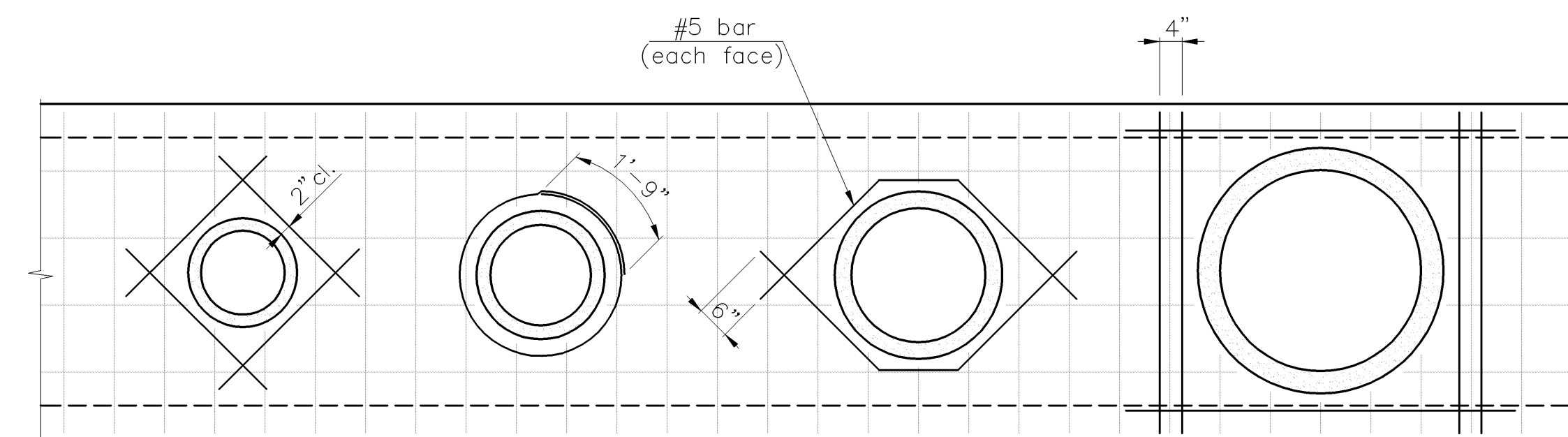
See "RCB Layout" sheet for location of dowelled joints. Center dowel bars on joint.

**TRANSVERSE JOINT DETAILS**



**WEEPHOLE DETAIL**

Weepholes shall be spaced a maximum of 10'-0" and placed no closer than 2'-0" to a joint between units. Typical both walls.



**PIPE OPENING DETAIL**

(Showing suggested configurations of additional reinforcing)

The reinforcing shall be #5 bars in each face of the walls. Bend and place reinforcing to provide a minimum 2" clearance to the pipe. The additional reinforcing shall not be paid for directly, but shall be subsidiary to "Reinforcing Steel (Gr. 60)." No deductions in reinforcing steel or concrete quantities has been made for the pipe openings.

PROJECT NO. 87 N-0306-01		
8' X 4' R.C.B.		
29TH STREET NORTH		DESIGNED RSC SCALE DETAILED DEG DATE 9/2005 QUANTITIES SHEET 32 OF 111
STA. 119+45 - 135+59.96		CITY OF WICHITA