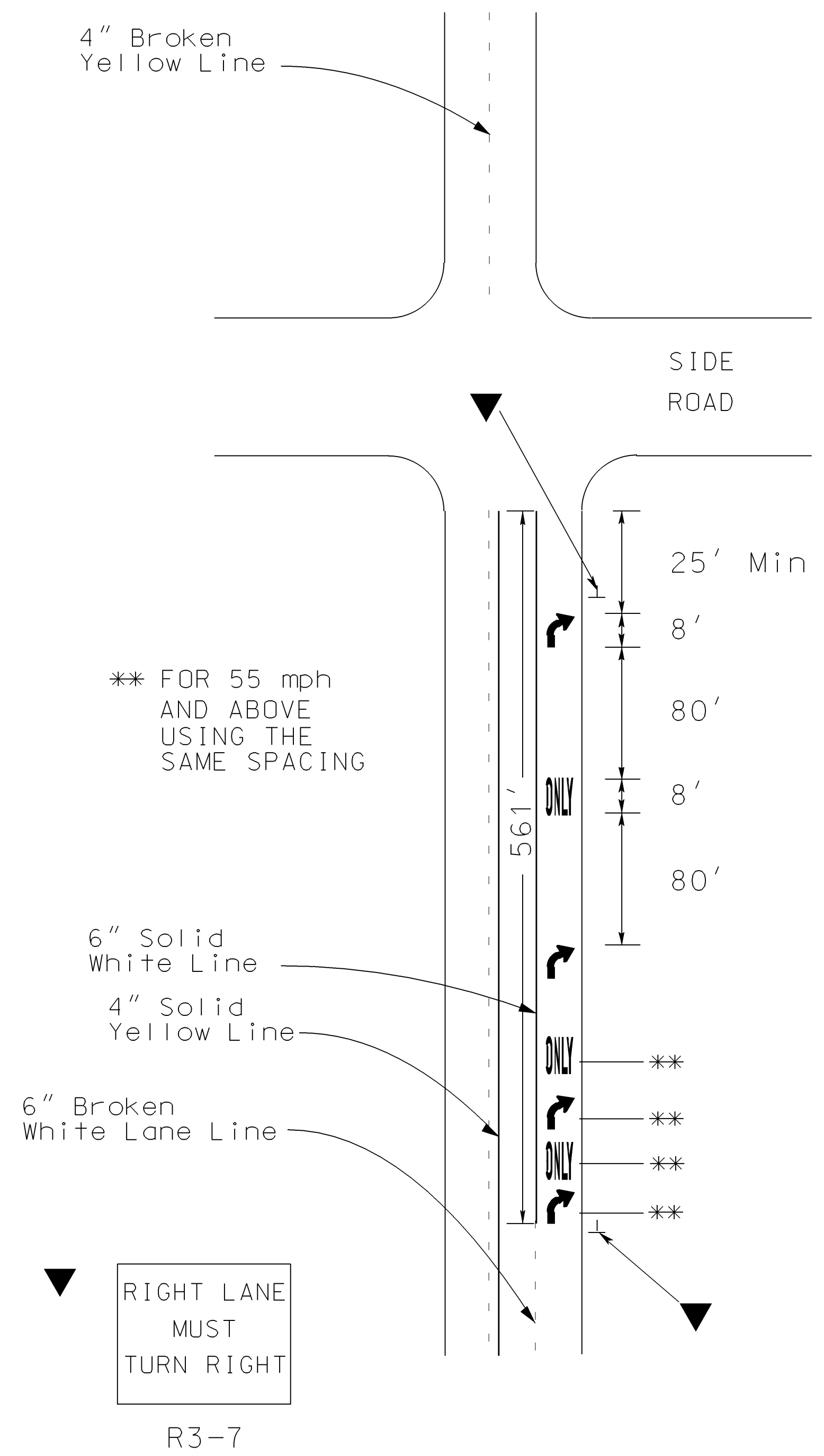
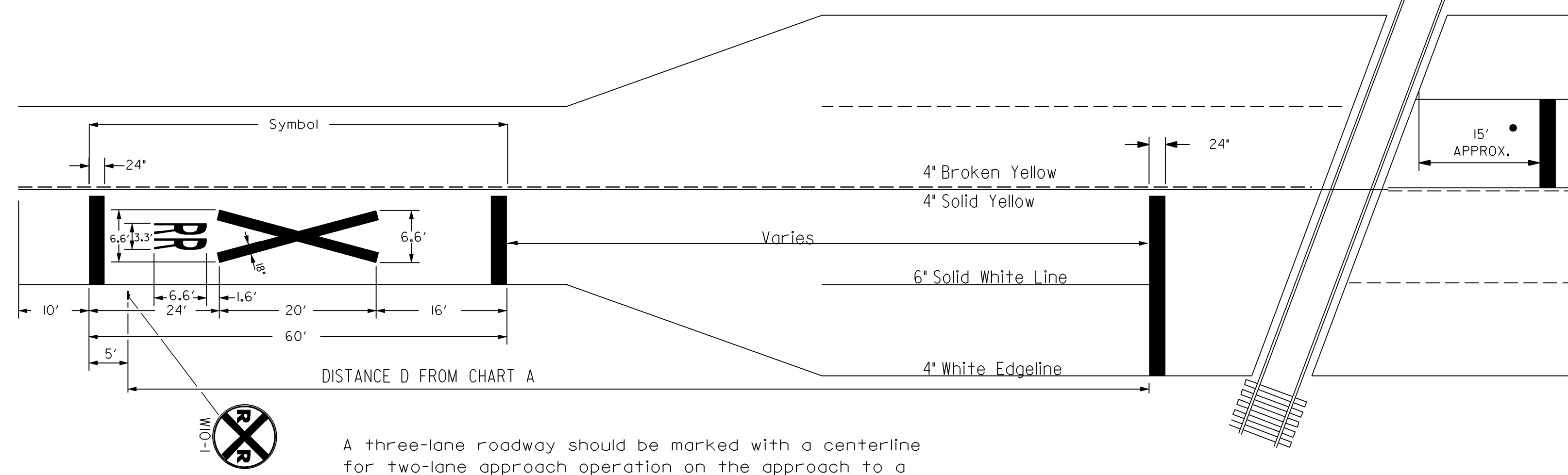


# TYPICAL SIGNING AND MARKING FOR RIGHT LANE MUST TURN RIGHT



# RAILROAD CROSSING MARKING



A three-lane roadway should be marked with a centerline for two-lane approach operation on the approach to a crossing.

On multi-lane roads the transverse bands should extend across all approach lanes, and individual R X R symbols should be used in each approach lane.

Refer to Standard Alphabet for Highway Signs and Markings for R X R symbols details.

• Stop line 8' from near edge of gate or cantilever, if present.

Chart "A"

SPEED mph	DISTANCE D (feet)
70	900
65	850
60	775
55	700
50	625
45	550
40	475
35	400
30	325
25	250
20	175

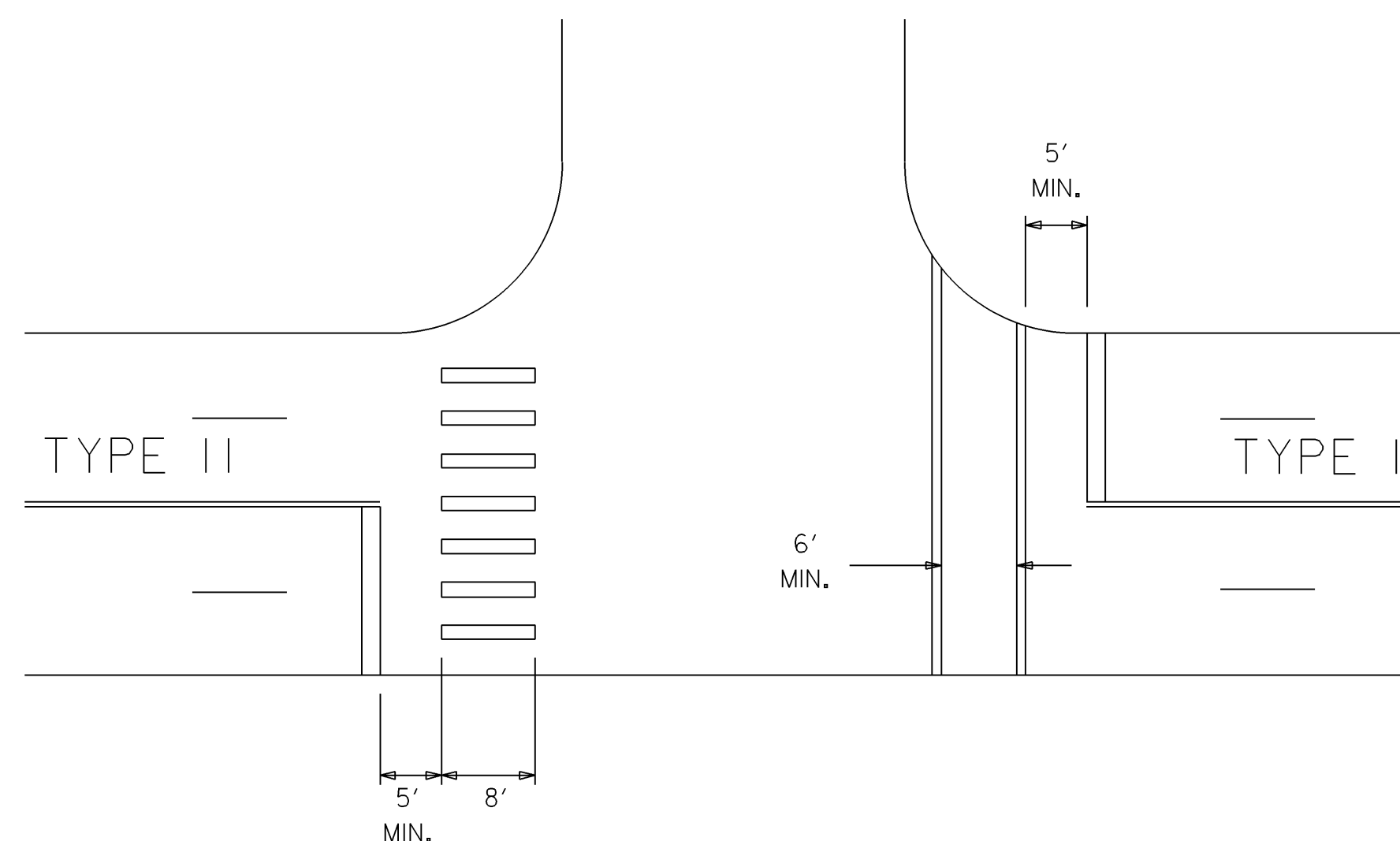
ALL DISTANCES ARE MINIMUM.

# TYPICAL CROSSWALKS

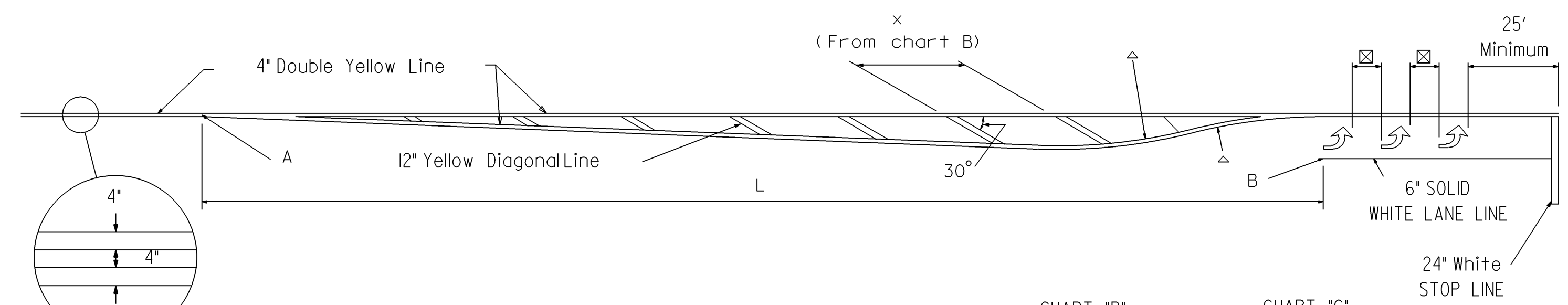
TYPE I: Crosswalk lines shall be 12" solid white lines. They shall be spaced a minimum of 6' apart from inside edge to inside edge.

TYPE II: These lines should be solid white 24" wide placed parallel to the direction of traffic flow. The line placement is determined by lane line, center line, and wheelpath in such a manner as to minimize traffic wear. The crosswalk width should be not less than 8'. The transverse crosswalk lines may be added.

When required, Stop lines shall be installed a minimum of 5' from crosswalks.



# TYPICAL APPROACH TAPER DETAIL



The approach taper length from point A to point B is to be determined using CHART C. Values for L were calculated using the equations below and increased to the next higher 5 mph increment.

- Speeds < 45 mph  $L = \frac{W \cdot S^2}{60}$

- Speeds  $\geq 45$  mph  $L = W \cdot S$

☒ If arrows are used and unless otherwise specified the space between lines should be at least four times the height of the characters for low speed roads but not more than ten times the height of the characters, under any conditions.

△ For speeds less than or equal to 40 mph, R=150'. For speeds greater than or equal to 45 mph, R=300'.

CHART "B"

Approach Speed	X
20 mph	20'
25 mph	25'
30 mph	30'
35 mph	35'
40 mph	40'
45 mph	45'
50 mph	50'
55 mph	55'
60 mph	60'
65 mph	65'
70 mph	70'

CHART "C"

Approach Speed	L
20 mph	80'
25 mph	125'
30 mph	180'
35 mph	245'
40 mph	320'
45 mph	540'
50 mph	600'
55 mph	660'
60 mph	720'
65 mph	780'
70 mph	840'

3				
2				
1	11/03/04	Revised 23' to 24" in railroad crossing detail	JFF	BDG
NO.	DATE		BY	APP'D

KANSAS DEPARTMENT OF TRANSPORTATION  
TYPICAL  
MISCELLANEOUS  
PAVEMENT MARKING  
DETAIL SHEET

TE309

FHWA APPROVAL	4-29-03	APP'D	Linda G. Voss
DESIGNED	G.JI	DETAILED	G.JI
DESIGN CK.	LGV	DETAIL CK.	LGV
QUANTITIES	TRACED	QUAN. CK.	TRACE CK.

Plotted By : \$\$USERNAME\$\$  
Plot File : 2003Proj\03546\dwg\office check plans\50-re309.dgn  
Plot Date : \$\$\$SYTIME\$\$\$