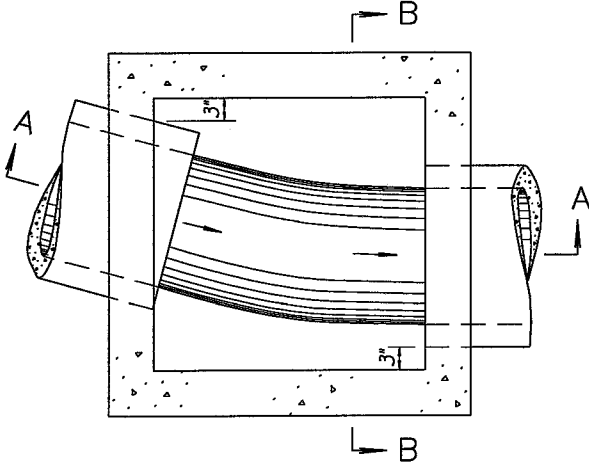
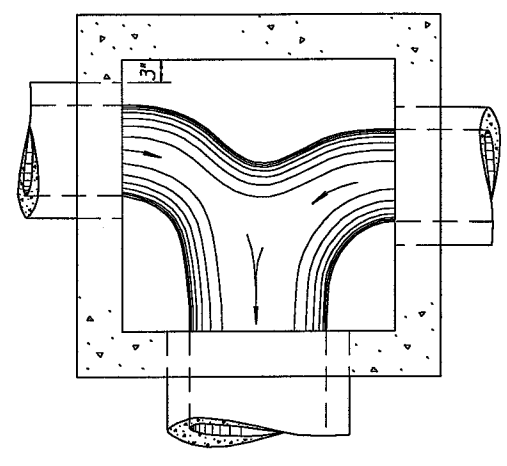


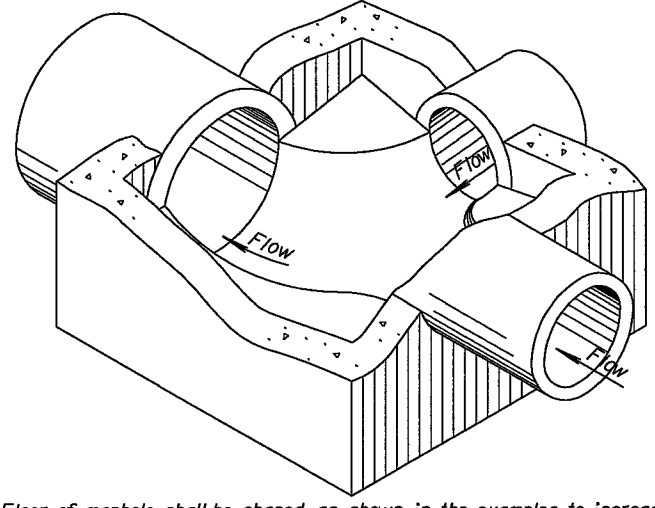
STATE	PROJECT NO.	YEAR	SHEET NO.	TOTAL SHEETS
KANSAS	87N 0372-01	2006	25	106



PLAN - FLOOR (Example I)



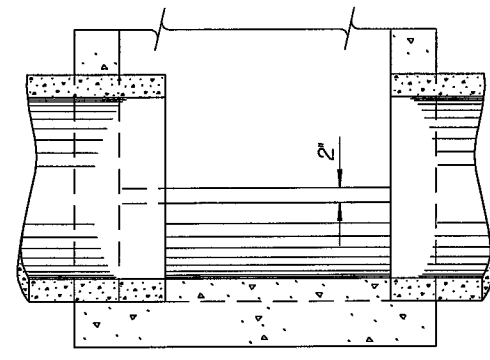
PLAN - FLOOR (Example III)



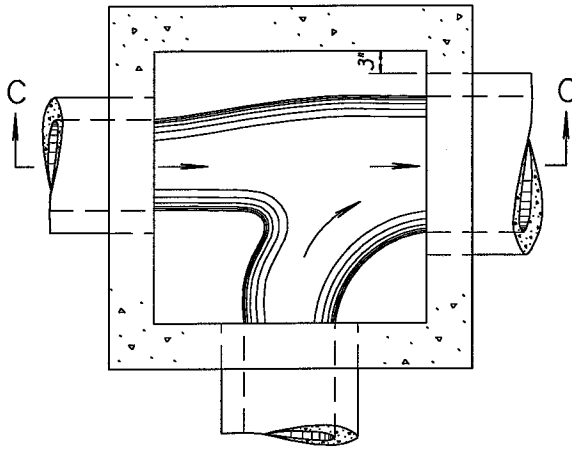
Floor of manhole shall be shaped as shown in the examples to increase hydraulic efficiency.

ISOMETRIC VIEW (Example IV)

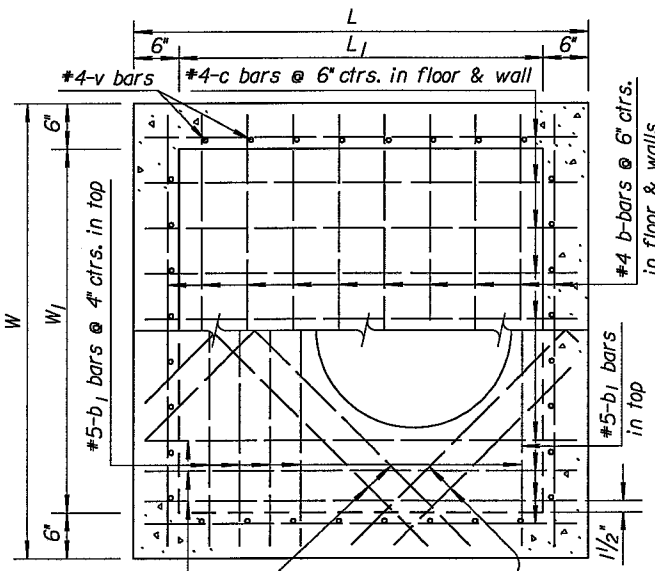
Note: Use Class A Concrete throughout. All exposed edges shall be finished with an edging tool. At the contractor's option Class A Concrete (AE) or mix used in concrete pavement may be used throughout. In general, pipes will enter and leave manhole at various positions. Where possible bend bars around pipes. Floor of manhole shall be shaped as shown in various "EXAMPLES" with unreinforced Class "A" Concrete. Manhole opening and steps, where used, shall be placed to afford easy access to top of shaped invert. Top reinforcing bars shall be adjusted accordingly. All castings shall be gray iron and shall comply with the KDOT Standard Specifications. No deductions in concrete quantities shall be made for pipe openings or additions to concrete quantities shall be made for shaping floor of manholes. The top of the manhole shall be sloped slightly to approximately fit the ground line or other condition as directed by the Engineer. Dimensions and weights of cast iron as shown on this sheet are minimum. Larger dimensions and/or heavier weights of cast iron may be used. The Contractor has the option of using precast manholes, as approved by the Engineer. Steps shall be installed in all manholes when specified in the plans or when "H" is equal to or greater than six feet. Steps shall comply with the requirements of the KDOT Standard Specification. Shop Drawings showing the reinforcing steel are required for the 7' x 4' Reinforced Concrete Manhole.



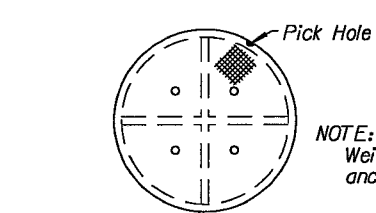
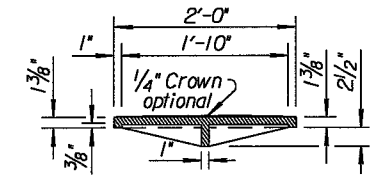
SECTION A-A (Example I)



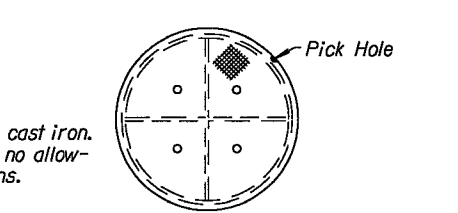
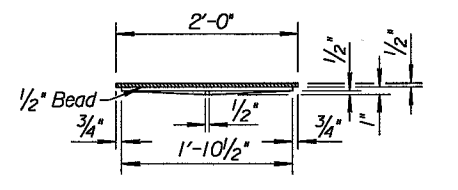
PLAN - FLOOR (Example IV)



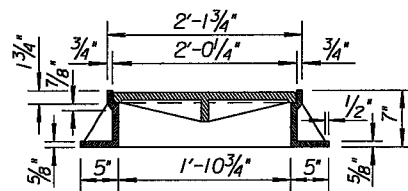
PLAN (Showing top & floor reinf.)



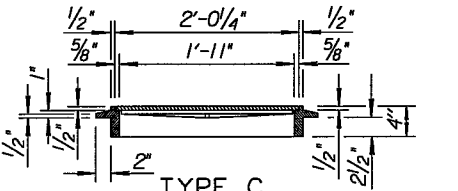
MANHOLE COVER TYPE A & B (Weight=134 lbs.; without 1/4" Crown= 125 lbs.)



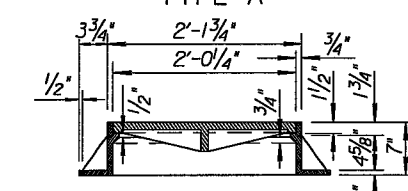
MANHOLE COVER TYPE C (Weight= 64 lbs.)



TYPE A



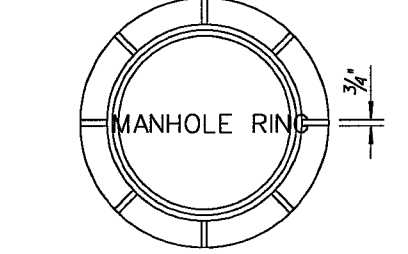
TYPE C



TYPE B



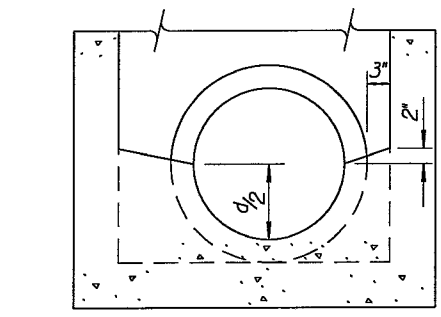
MANHOLE RING (Weight= 53 lbs.)



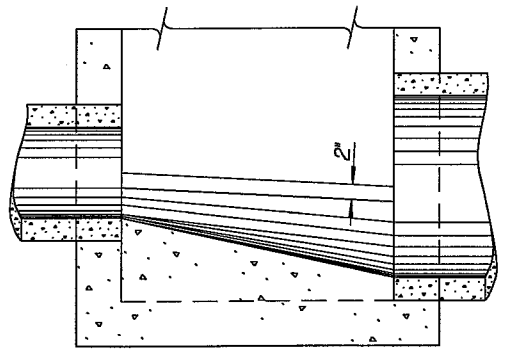
(Type A Ring= 192 lbs., Type B Ring= 198 lbs.)

HEAVY TYPE MANHOLE COVER AND RING

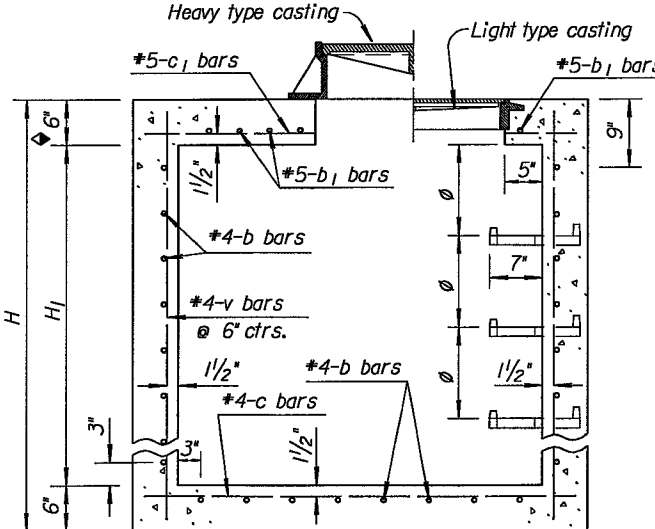
Note: Either Type A or Type B may be used.



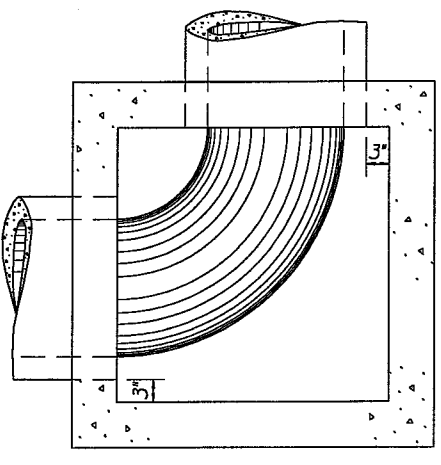
SECTION B-B (Example I)



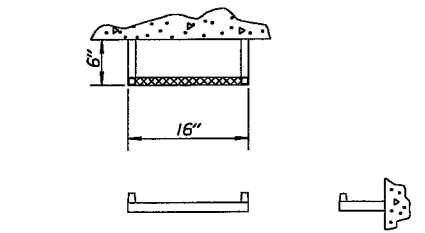
SECTION C-C (Example IV)



SECTION (Exclusive of floor shaping)



PLAN - FLOOR (Example II)



STEP DETAILS

Steps shall be uniformly spaced. Spacing shall be 12" minimum and 16 1/2" maximum.

Where dimension "L" or "W" is greater than 6'-0" use 8" slab thickness.

\* LIGHT TYPE MANHOLE COVER & RING  
\*Rings with four equally spaced lugs will be permitted.

30	12-12-97	Revised step spacing	R.J.S.	J.O.B.
29	12-27-93	Delete point note	R.J.S.	J.O.B.
28	1-30-92	Rev. point&step notes, ent. on CADD	R.J.S.	J.O.B.
NO.	DATE	REVISIONS	BY	APP'D

KANSAS DEPARTMENT OF TRANSPORTATION			
REINFORCED CONCRETE MANHOLE			
RD633			
DESIGNED	2-2-98	APP'D	James O. Brewer
DESIGN CK.	DETAILED	QUANTITIES	TRACED
	DETAIL CK.	QUAN. CK.	TRACE CK. Seitz

Drawn By: TRAMISTEINS [Plotted: 9/11/2006  
 File: g:\w\040011\road\rd633.sht