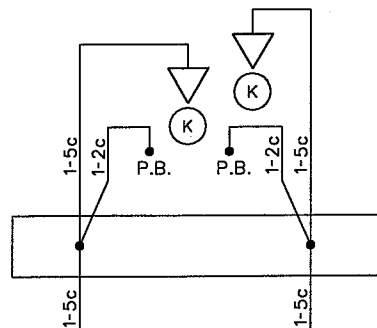
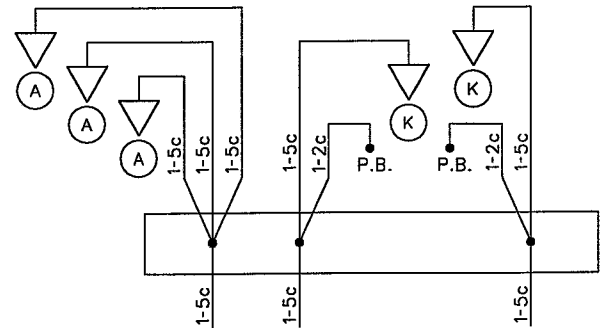


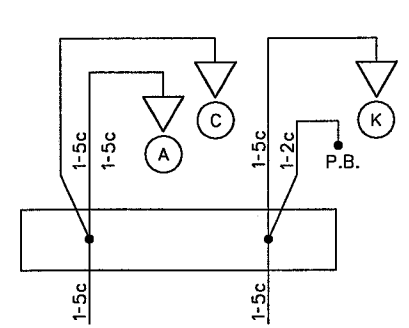
- NOTES:**
1. THE CONTRACTOR SHALL BE RESPONSIBLE FOR RECONSTRUCTING SIDEWALKS AND RAMPS THAT ARE DISTURBED BEYOND THE LIMITS SHOWN ON THE PLANS DURING CONSTRUCTION.
 2. SERVICE AND JUNCTION BOXES AND CONDUIT RUNS LOCATIONS ARE APPROXIMATE AND MAY BE ADJUSTED TO CLEAR OBSTRUCTIONS AND FACILITATE WIRING AS APPROVED BY THE ENGINEER.
 3. THE LOCATIONS OF THE EXISTING UNDERGROUND UTILITIES ARE SHOWN IN AN APPROXIMATE WAY ONLY AND HAVE NOT BEEN INDEPENDENTLY VERIFIED. THE CONTRACTOR SHALL DETERMINE THE EXACT LOCATION OF ALL EXISTING UTILITIES BEFORE COMMENCING WORK AND AGREES TO BE FULLY RESPONSIBLE FOR ANY AND ALL DAMAGES WHICH MIGHT BE OCCASIONED BY THE CONTRACTOR'S FAILURE TO EXACTLY LOCATE AND PRESERVE ANY AND ALL UNDERGROUND UTILITIES.
 4. DETECTOR ZONES SHALL TYPICALLY BE CENTERED IN TRAFFIC LANES UNLESS OTHERWISE NOTED.
 5. CONDUITS SHALL BE BORED UNDER EXISTING PAVEMENT.
 6. THE CONTRACTOR SHALL COORDINATE THE POWER HOOKUP WITH WESTAR ENERGY.
 7. BOXES SHALL NOT BE INSTALLED IN SIDEWALK RAMPS.



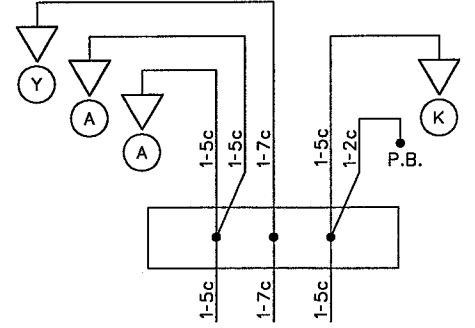
① POLE WIRING DIAGRAM



② POLE WIRING DIAGRAM



③ POLE WIRING DIAGRAM



④ POLE WIRING DIAGRAM

CITY OF WICHITA	
PAWNEE STREET MERIDIAN AVE. TO SENECA ST.	
PEDESTRIAN CROSSING STA. 00+00.00 WIRING DETAILS / TIMINGS	
WICHITA	KANSAS
DESIGNED: J.R.L.	DRAWN: D.A.N.
CHECKED: B.A.L.	DATE: 9/11/2006
SCALE: No Scale	SHEET NO: 58

q:\w04\0011\road\sig02.sht
 9/11/2006 1:42:25 PM