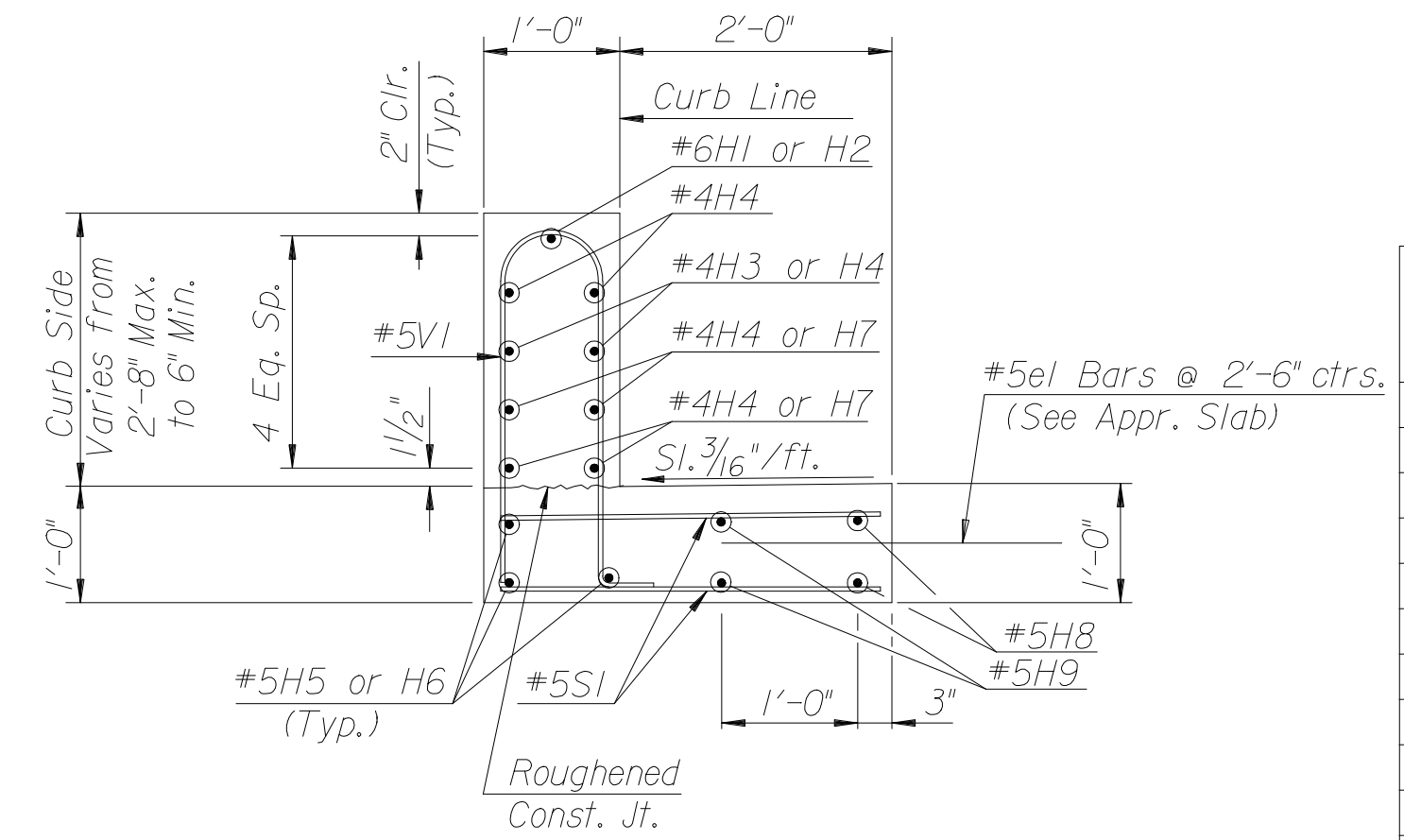
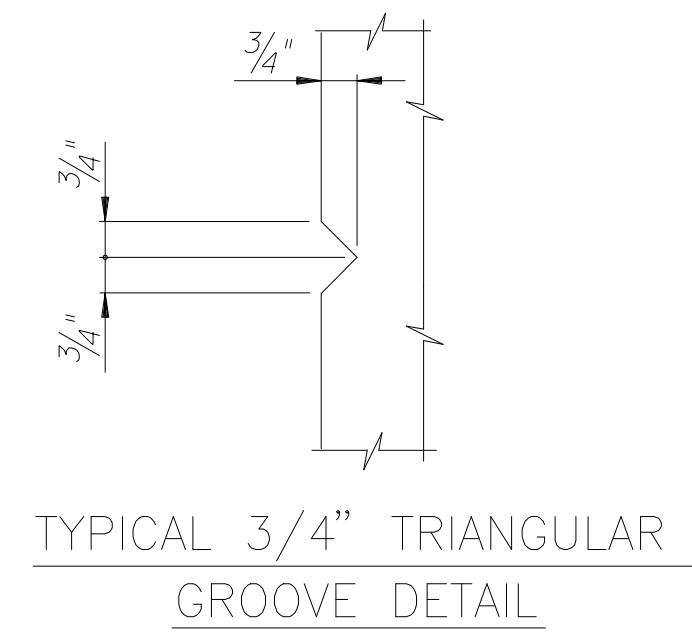


PROJECT NO.	YEAR	SHEET NO.	TOTAL SHEETS
472-84118	2005	31	79

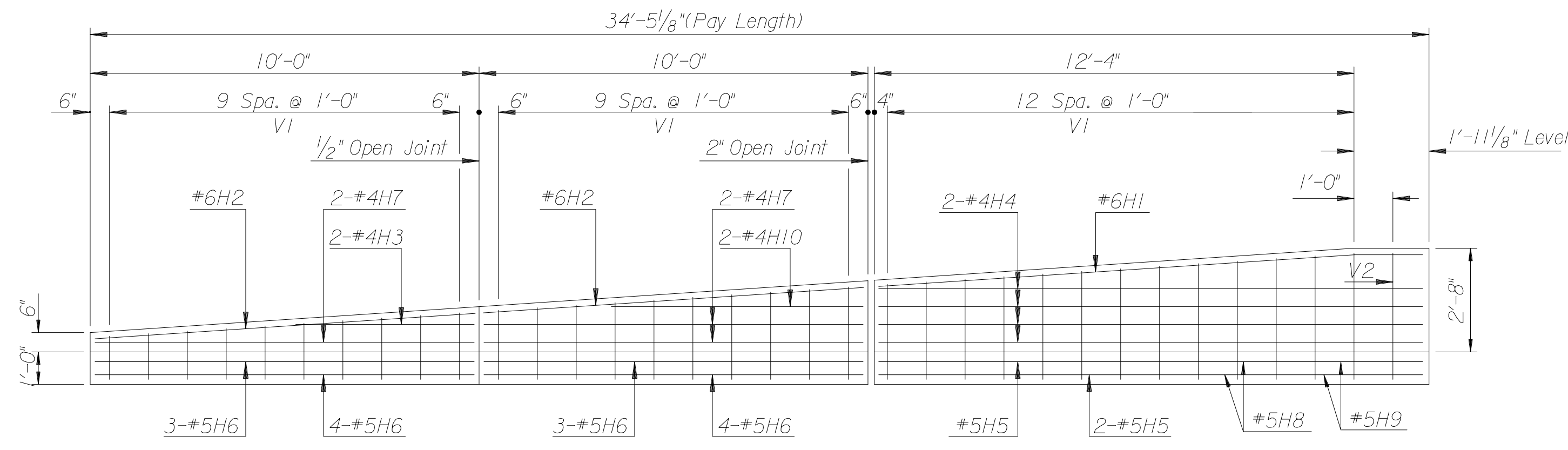


SECTION THRU SAFETY BARRIER (TRANSITION)

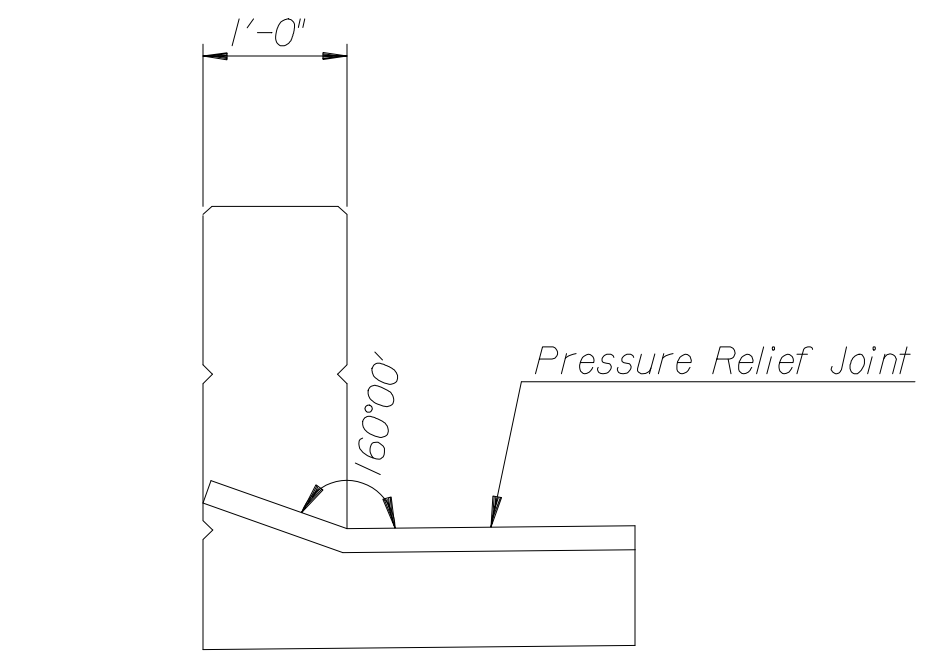
Adjust F.L. & crossslope in first 5' to meet Combined Curb & Gutter(Type I)

BILL OF MATERIALS (ONE END)						
REINFORCING STEEL						
Mark	No.	Size	Length	Mark	No.	Size
Typical Exit End (One)						
H1	1	6	13'-11"	H6	14	5
H2	2	6	9'-8"	H7	6	4
H3	2	4	4'-5"	H8	2	5
H4	8	4	13'-10"	H9	2	5
H5	3	5	13'-10"	H10	2	4
SI	66	5	2'-8"			
V1	33	5	Varies			
V2	1	5	8'-9"			
* SUMMARY OF QUANTITIES						
Item			Quantity	Unit		
Concrete Grade (4.0)(AE)			5.8	C.Y.		
Reinforcing Steel (Gr. 60)			848	Lbs.		

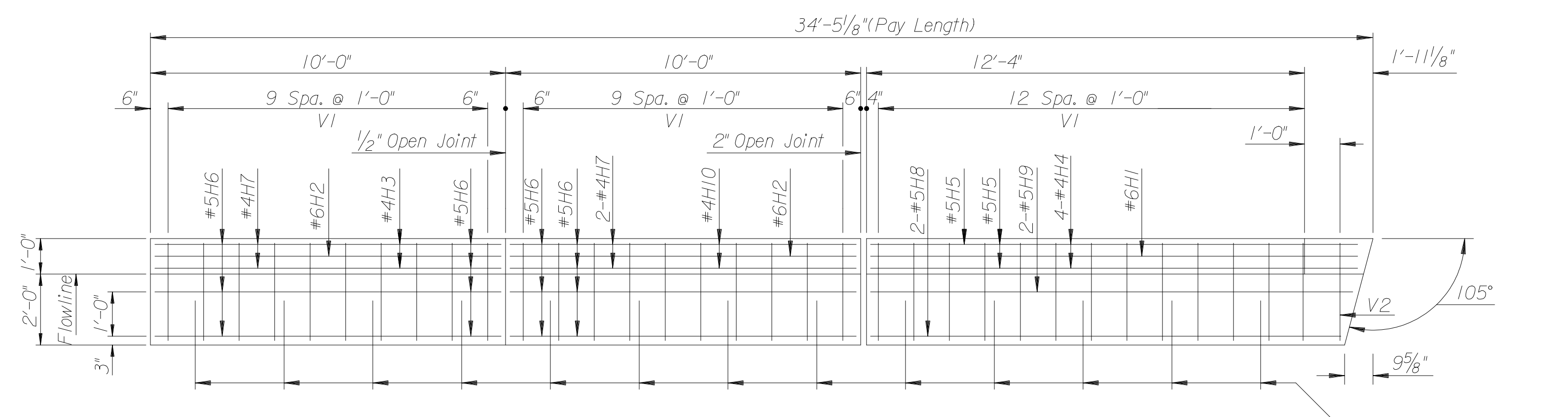
\* For Information Only (Total - 1 End)



ELEVATION

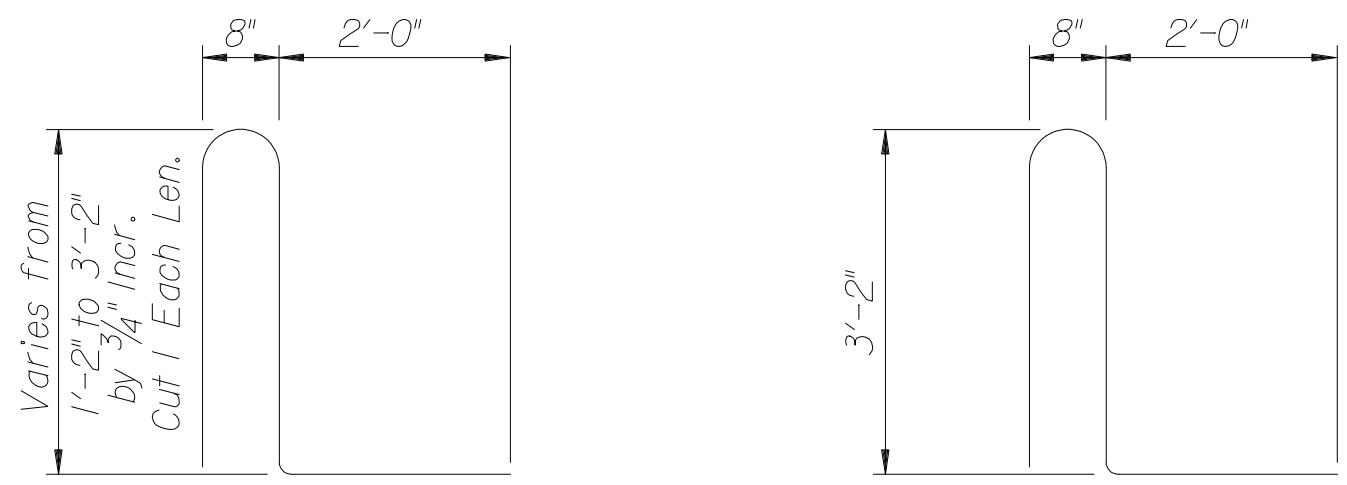


TYPICAL BARRIER JOINT TREATMENT



PLAN

EXIT END



BENDING DIAGRAMS  
Dimensions are out to out of bars

CONCRETE SAFETY BARRIER (SPECIAL) (AE) NOTES

The "Concrete Safety Barrier (Special)(AE)" shall be constructed of Concrete Grade (4.0)(AE) and A-615 Grade 60 reinforcing steel.

The 2'-8" sections of the barrier shall be grooved with a 3/4" chamfer strip on all exposed edges.

The bid item "Concrete Safety Barrier (Special) (AE)" measured per lineal foot as per plan, shall be full compensation for furnishing all materials, equipment and labor necessary.

No.	Revisions	By	Date
CITY OF WICHITA			
STRUCTURE NO. 5304008700LBS05		STA. 46+45.00	
55TH AND HYDRAULIC AVE.			
CONCRETE SAFETY BARRIER (SPECIAL) (AE) (EXIT END)			
PROJECT NO. 472-84118		SEDGWICK COUNTY	
<b>Professional Engineering Consultants, P.A.</b> 303 S. TOPEKA • WICHITA, KANSAS 67202 316-262-2691 • FAX 316-262-3003			
Designed by	R.A.S.	Checked by	R.A.S.
Drawn by	W.L.L.	Date	July 2005
		Job No.	99764

drawn by: wll  
 plotted by: rds 9-8-2005  
 i: 1999/99764/af/checked/99764\_C-Transbarrierexit(E)P.VB.dgn