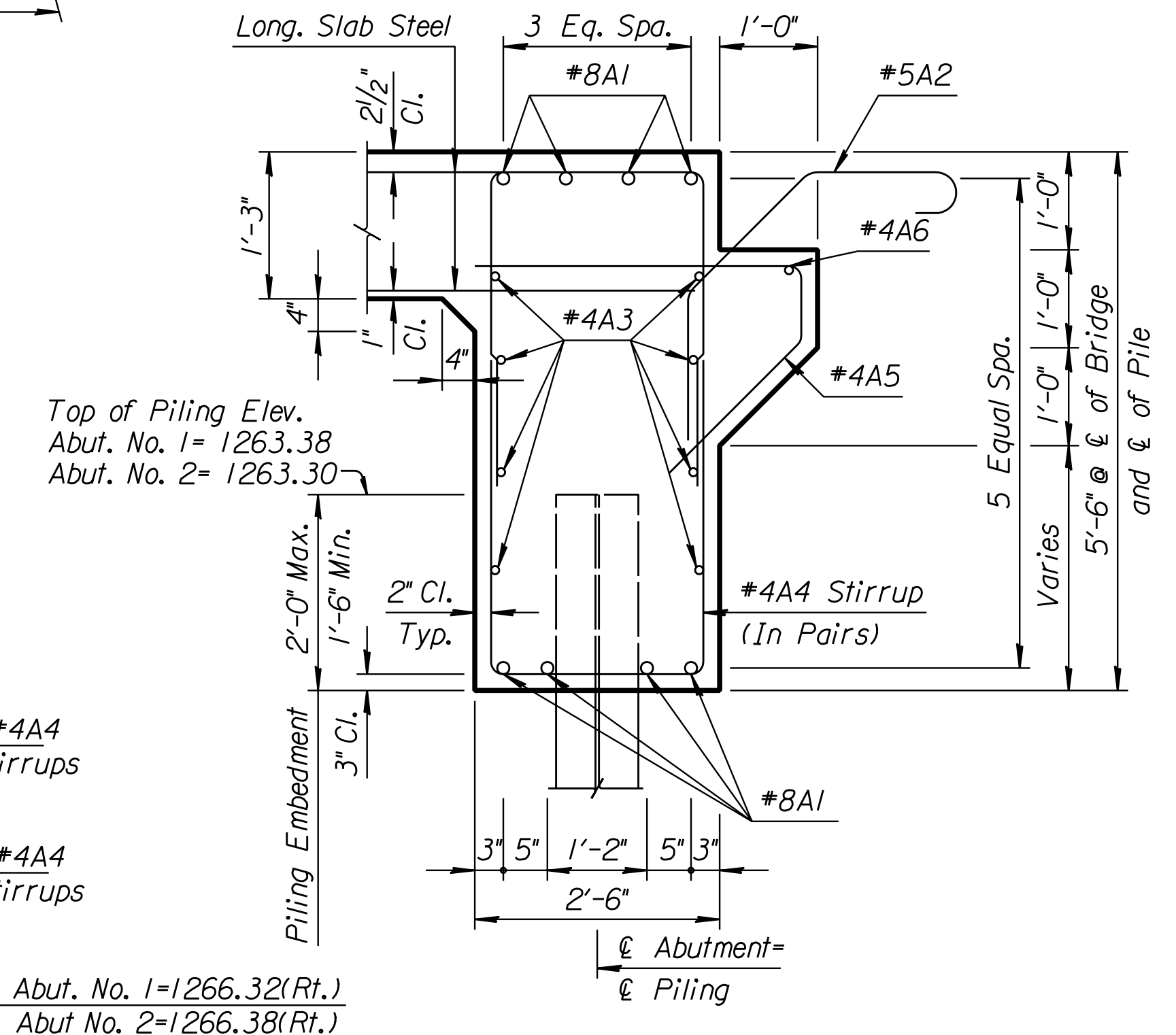
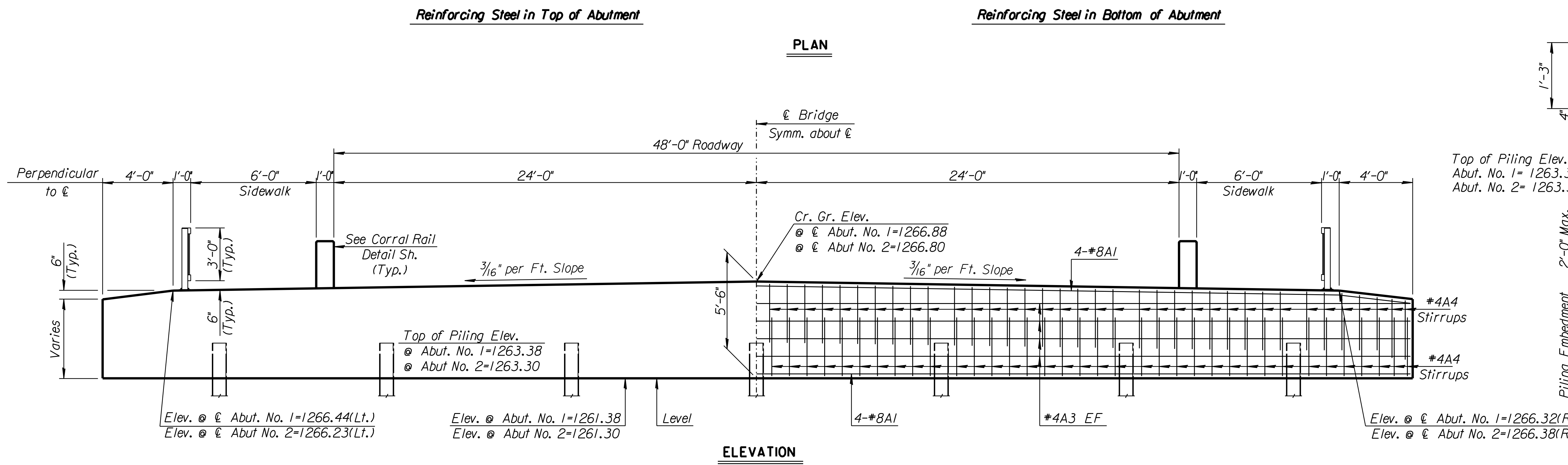
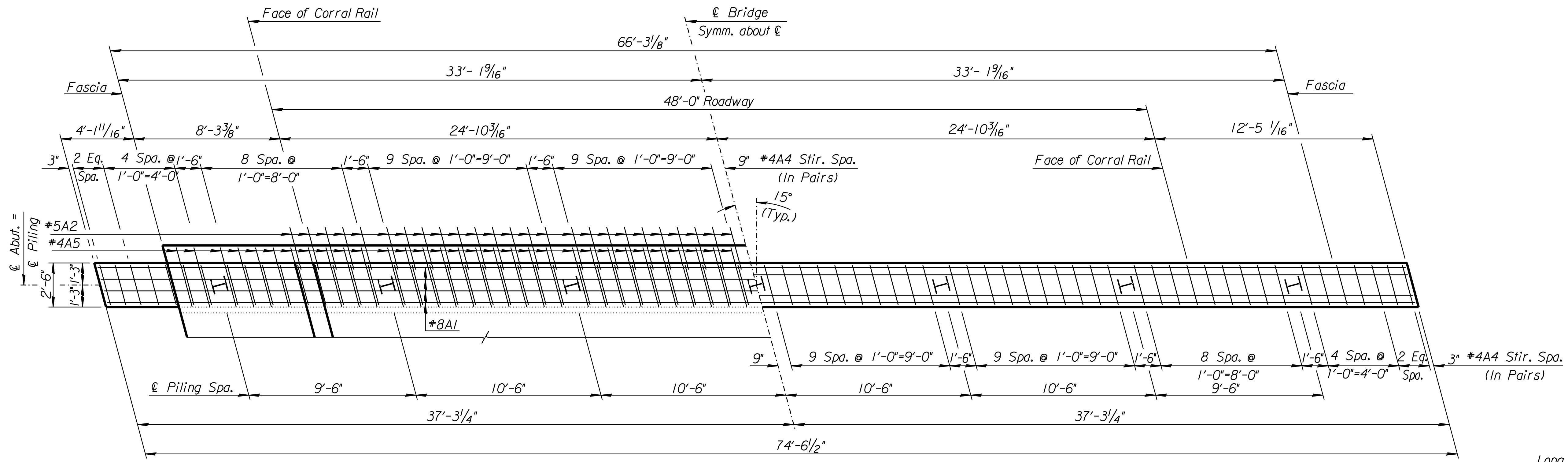


Roadway Width = 44'
 Skew and Direction = 0
 Number of Piles = 5

Std. Base File : /usr2/hs/lab/210x544x000.dgn
 Server File : /usr2/
 Server : witch
 View: PLOT5

Plotted By : ras
 Plot File : i:/1999/99764/officecheck/99764.C-Abutment(E).dgn
 Plot Date : 9-9-2005



Legend
 EF = Each Face

3					
2					
1					
NO.	DATE	REVISIONS	BY	APP'D	

KANSAS DEPARTMENT OF TRANSPORTATION
 Br. No. 5304008700LBS05 Sta. 46+45.00

ABUTMENT DETAILS

Proj. No. 472-84118 Sedgwick Co.

SHEET NO.	OF	SCALE	APP'D
DESIGNED	DRT	DETAILED	DRT
QUANTITIES	DRT	CADD	BES
DESIGN CK.	MRV	DETAIL CK.	CEH
QUAN. CK.			CADD CK.
			CEH