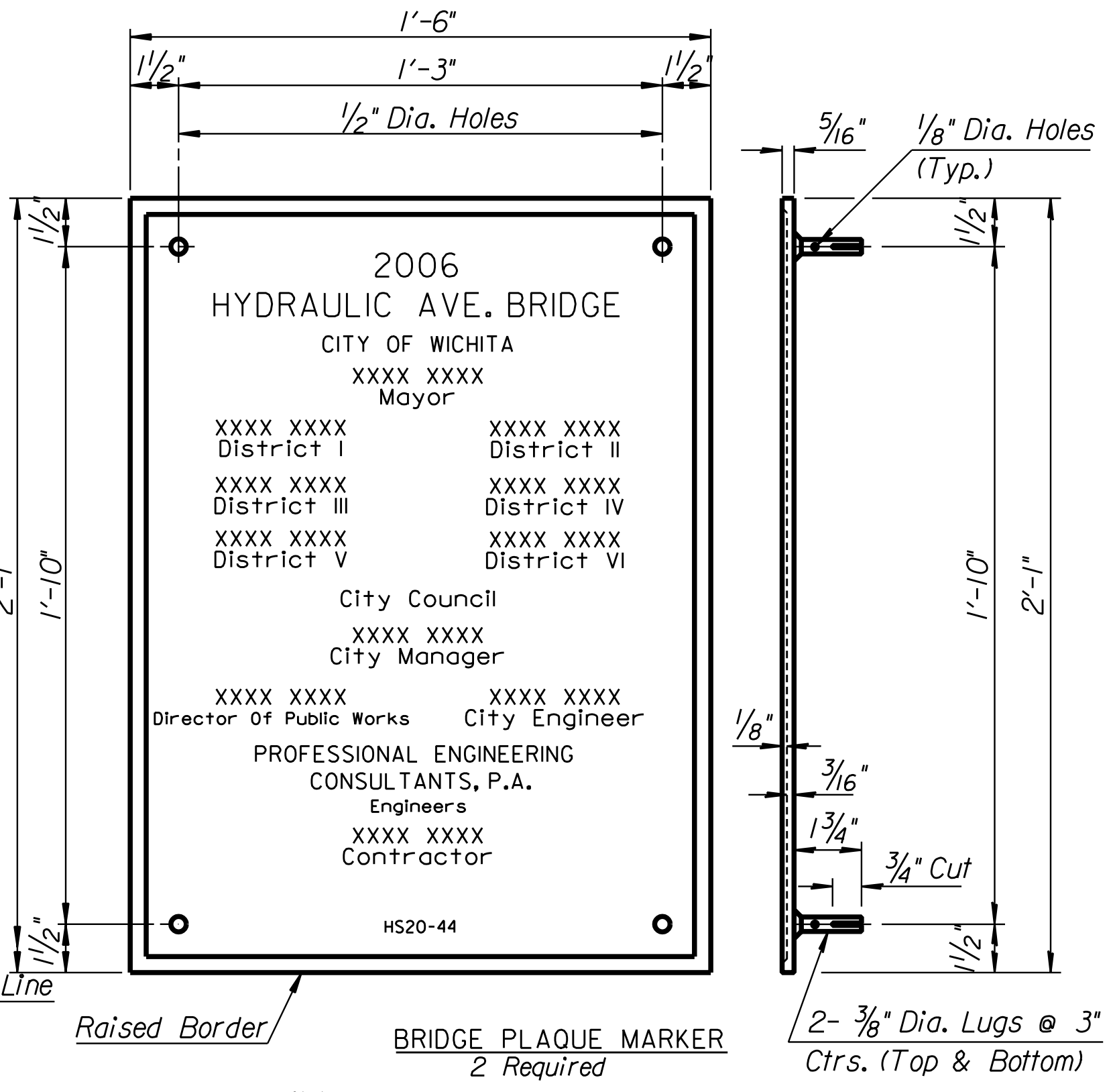
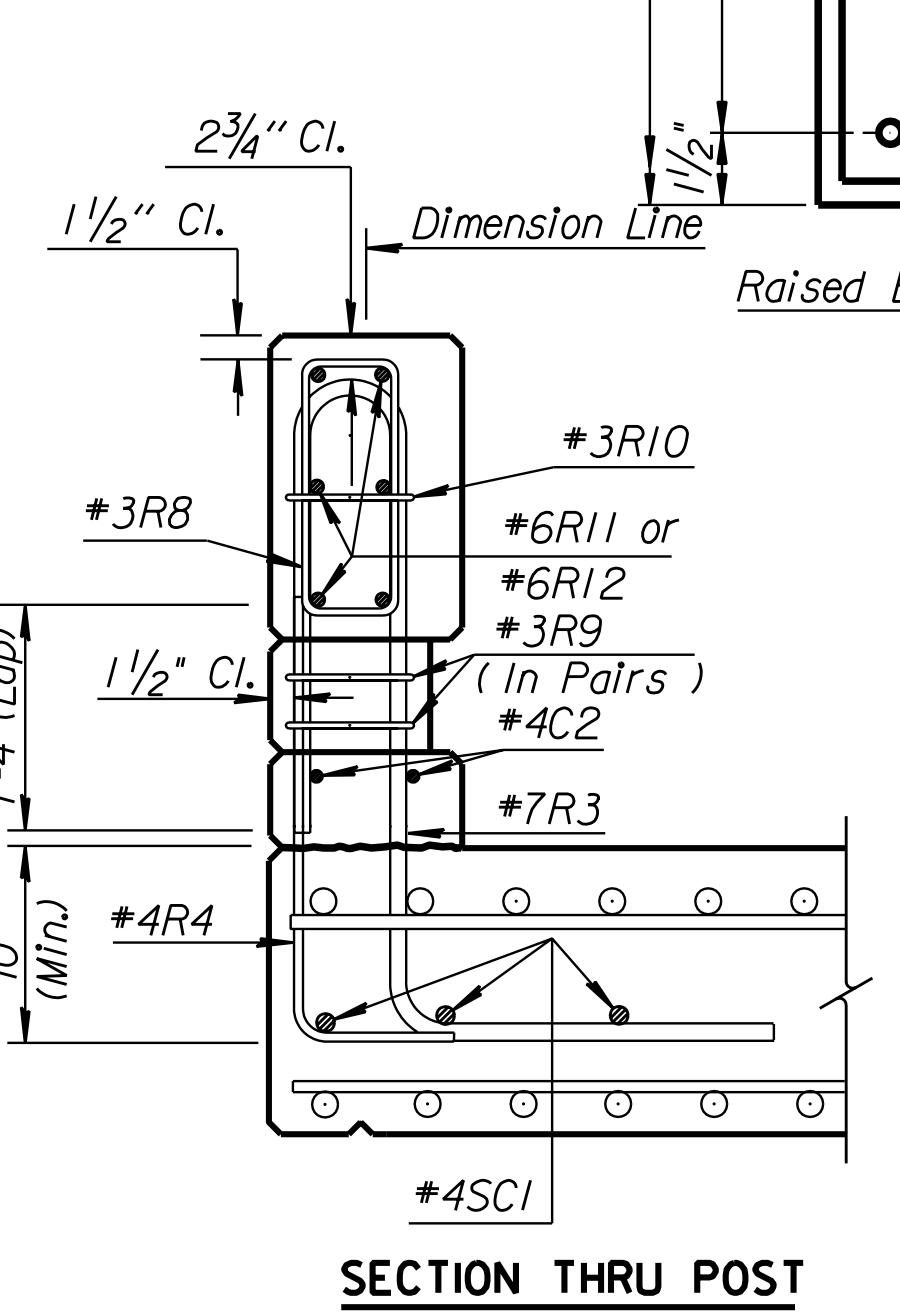
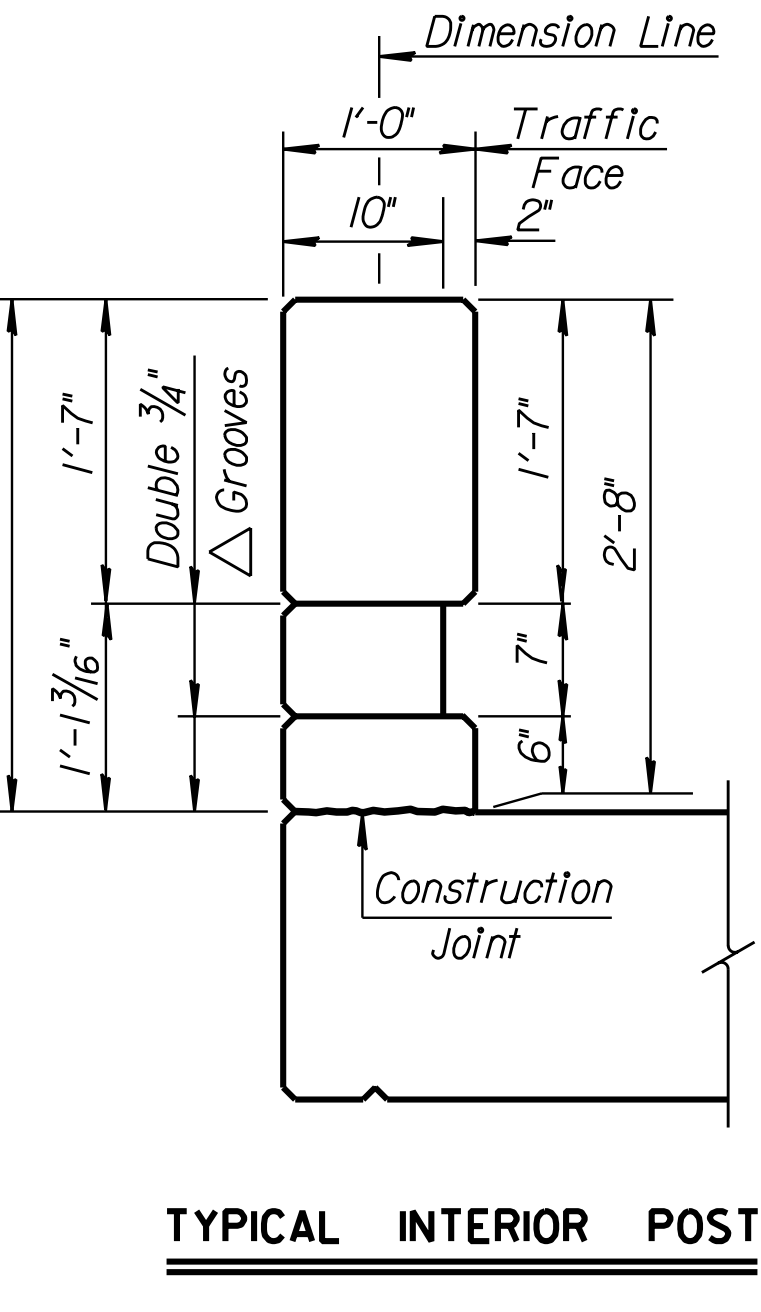
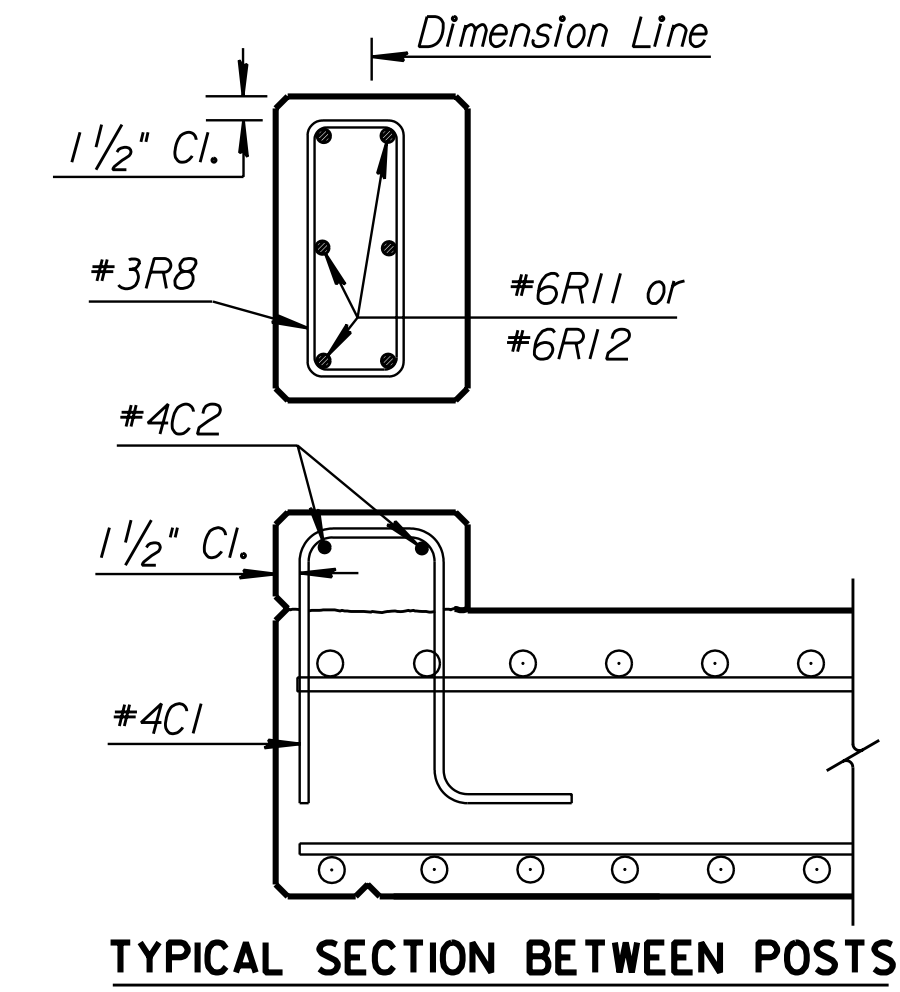
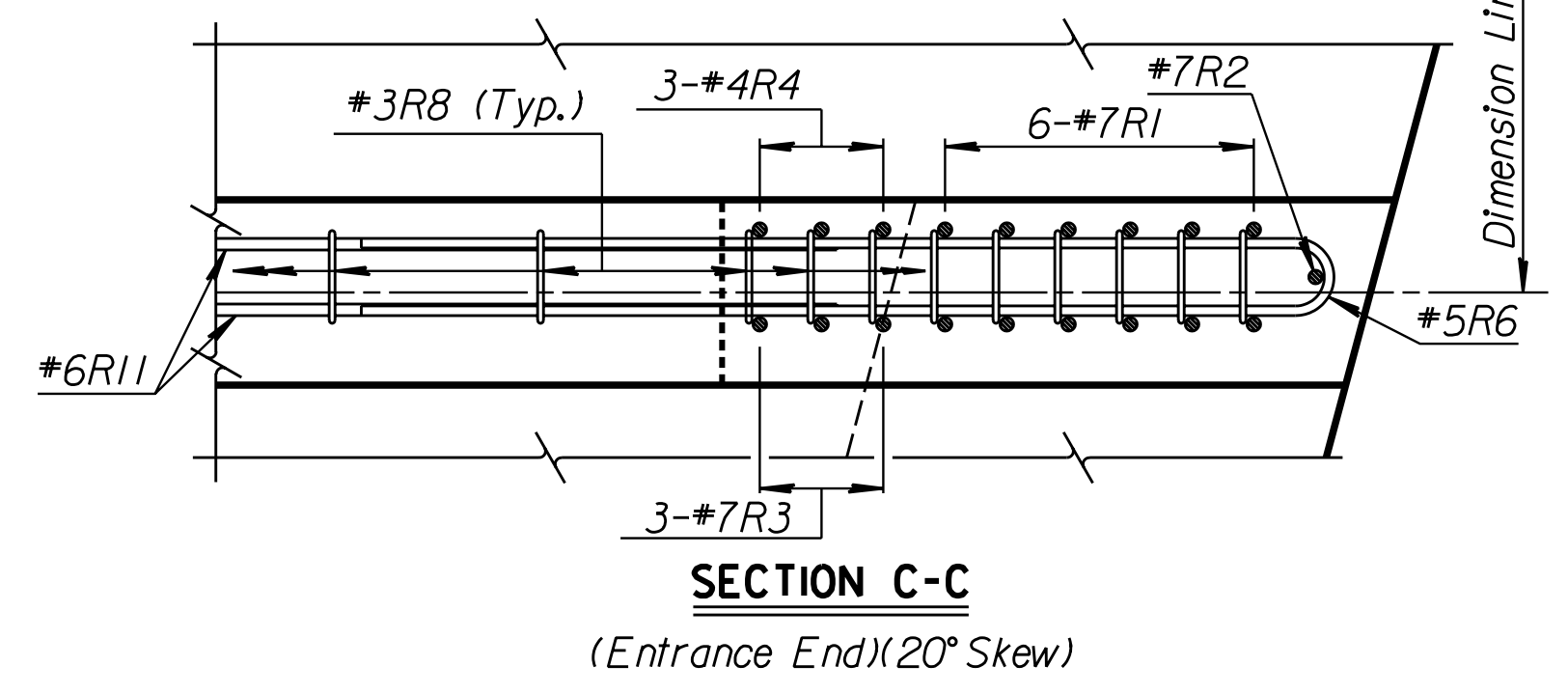
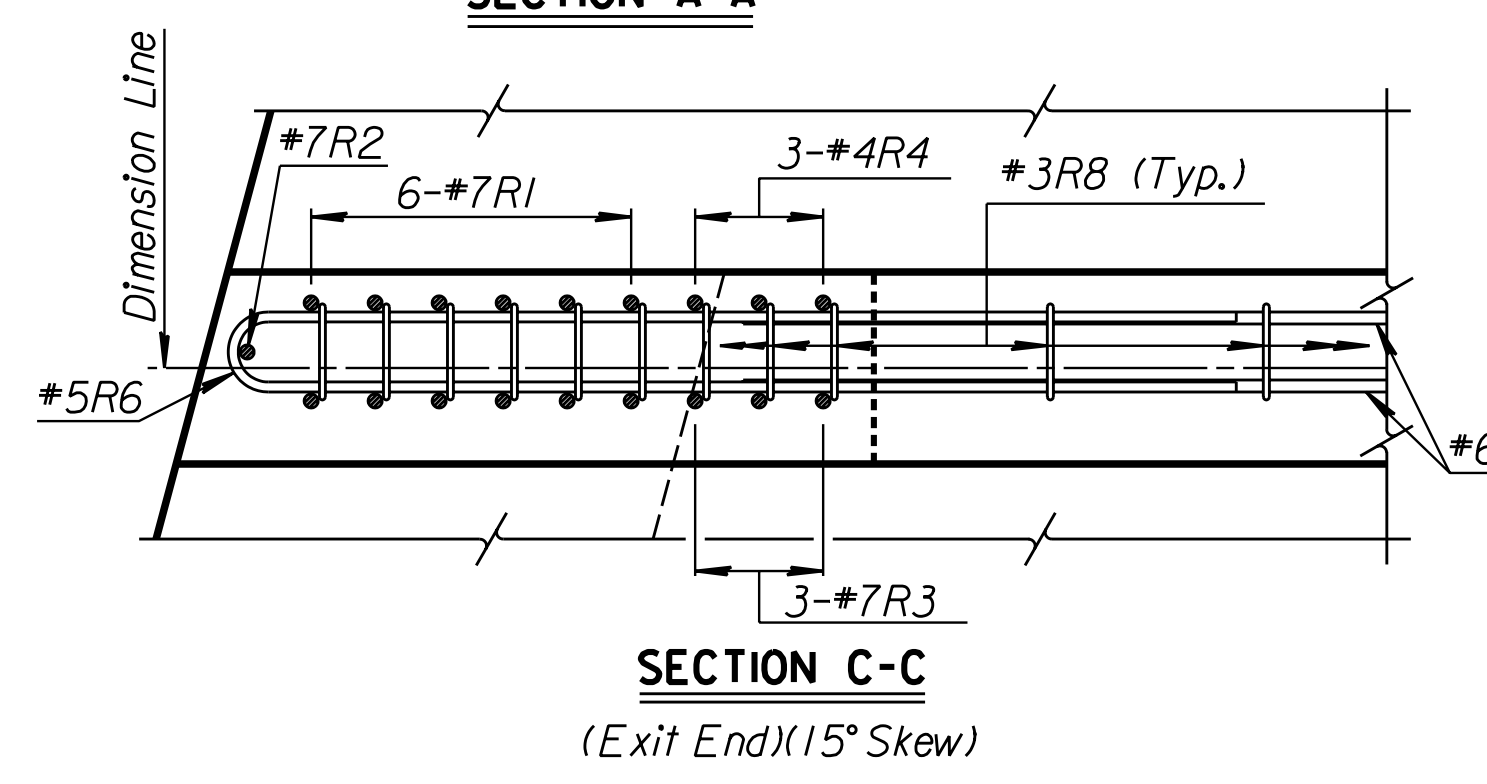
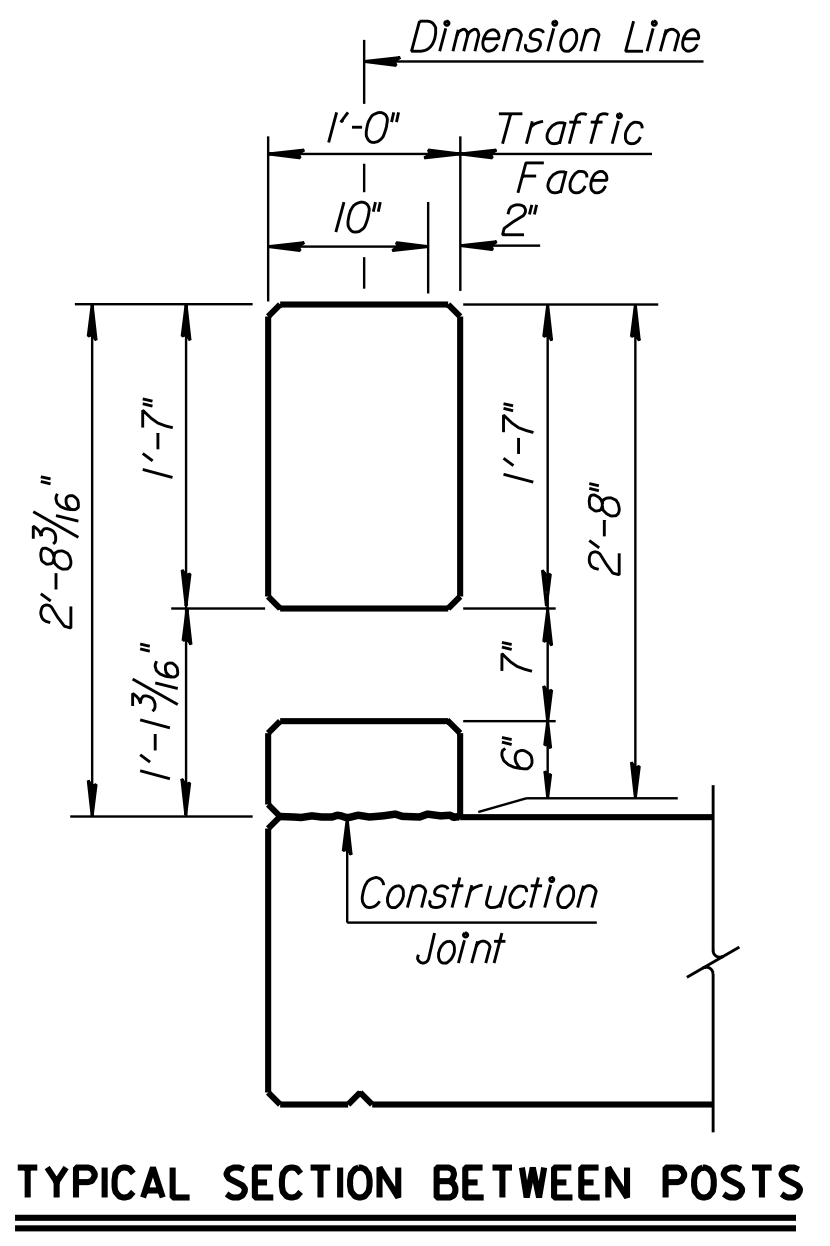
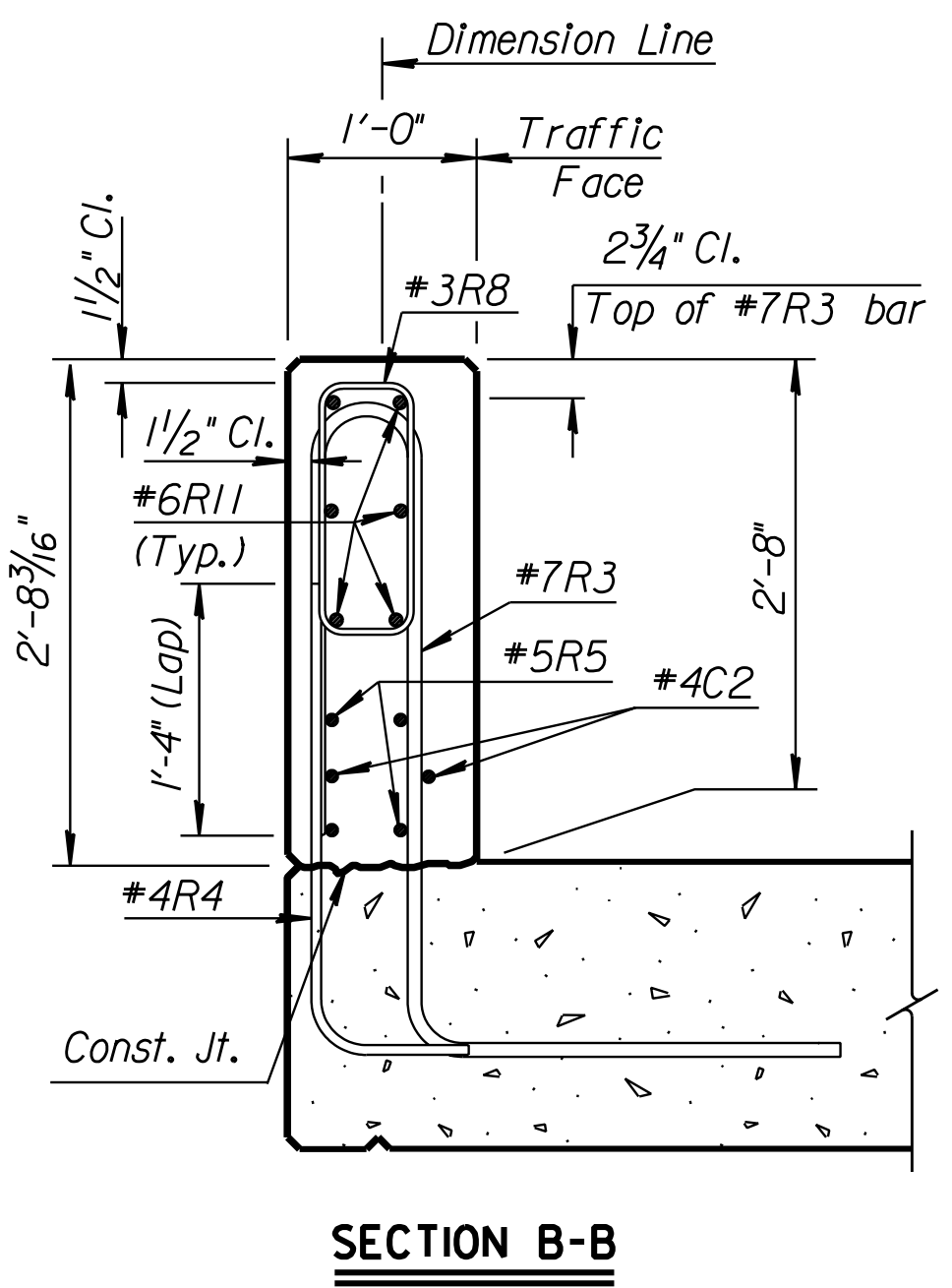
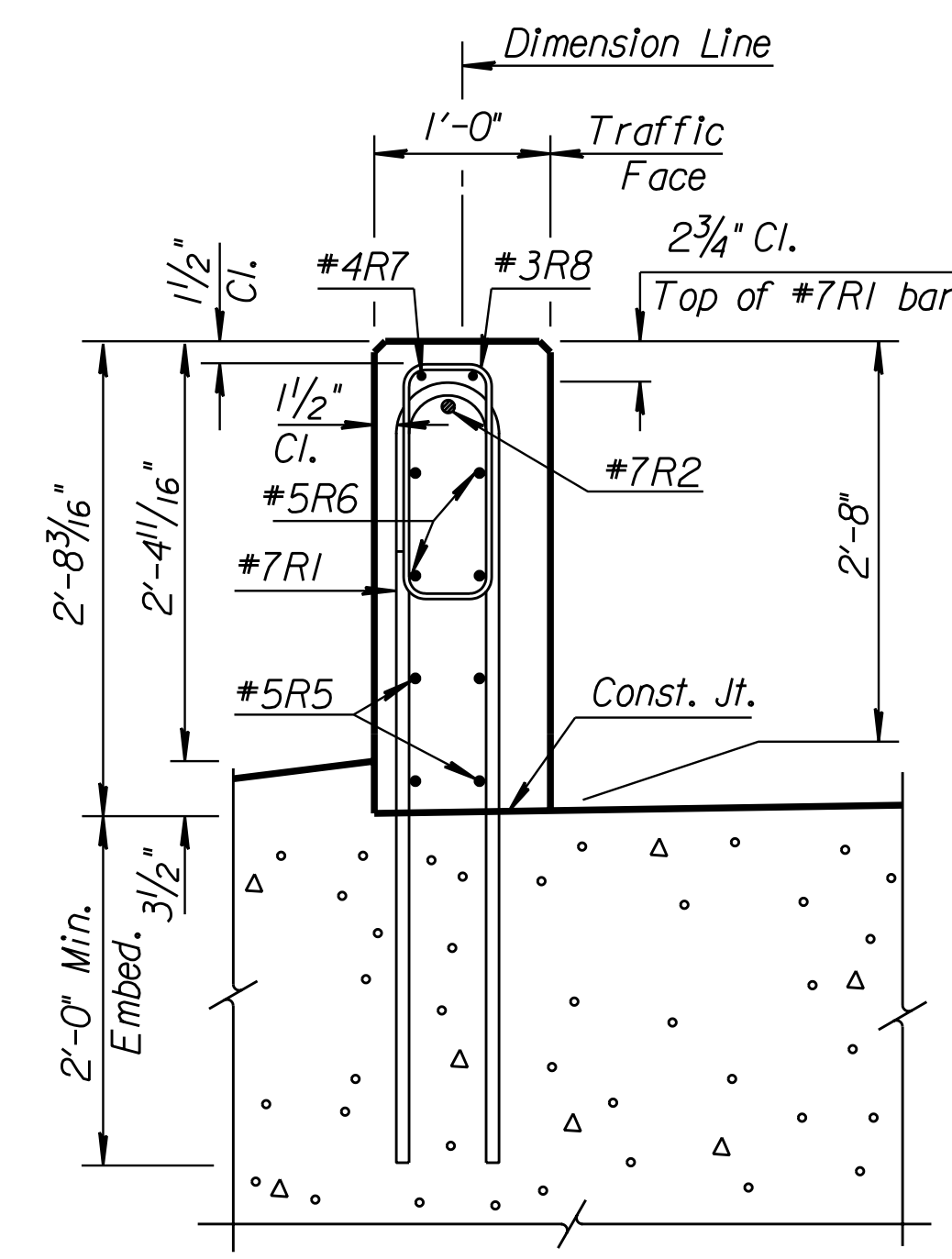
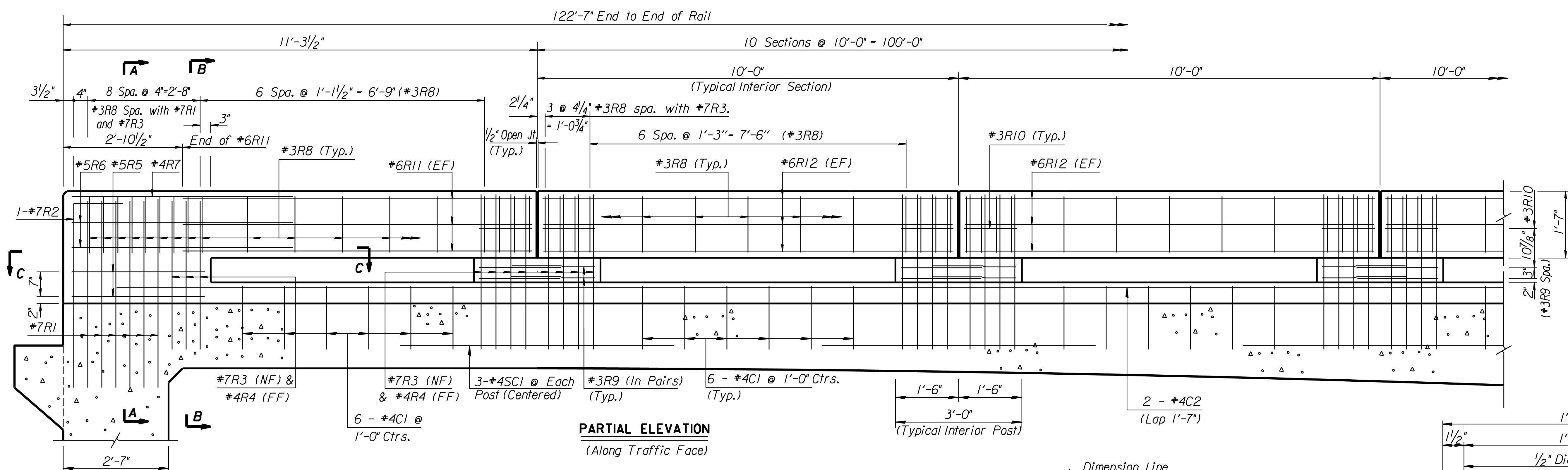
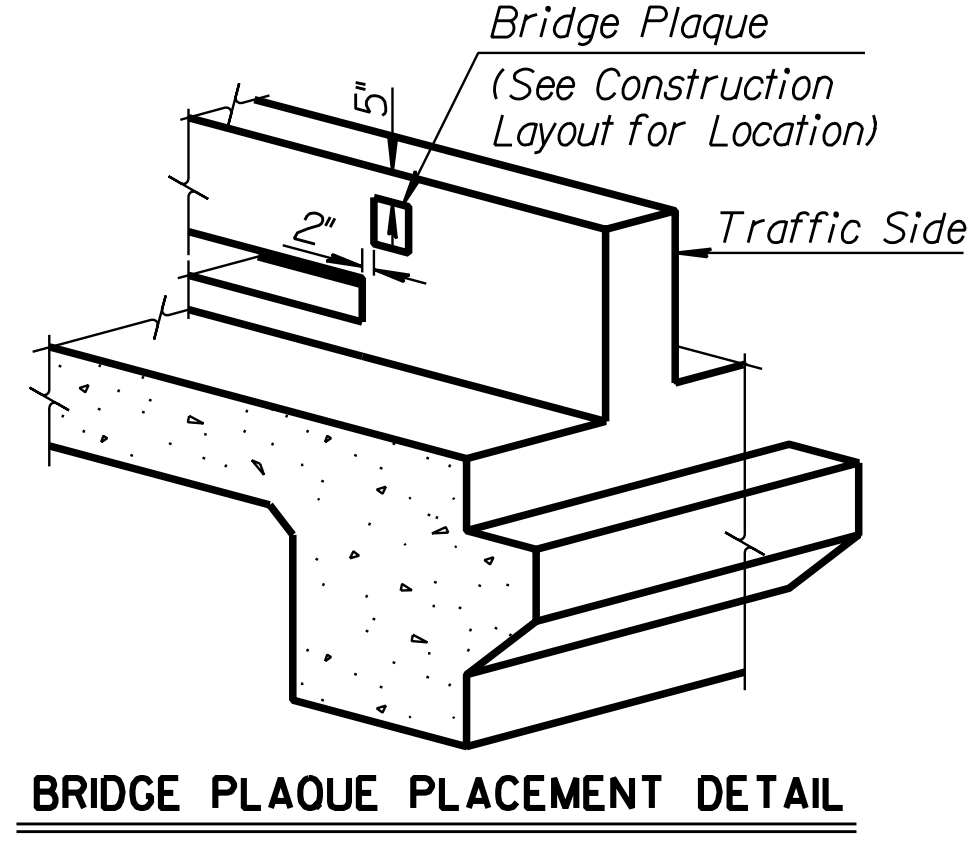


STATE	PROJECT NO.	YEAR	SHEET NO.	TOTAL SHEETS
KANSAS	472-84118	2005	42	79



Std. Base File: br182b.dgn
 Plotted By: ras
 File: I:\1999\99164\officecheck\99164.C-Br182b.dgn
 Plot Date: 9-9-2005

3				
2				
1	7-14-04	Current Release		
NO.	DATE	REVISIONS	BY	APP'D
KANSAS DEPARTMENT OF TRANSPORTATION Br. No. 5304008700LBS05 Sta. 46+45.00 32" KANSAS CORRAL RAIL R C HAUNCHED SLAB (With Curb) Proj. No. 472-84118 Sedgwick Co.				
SHEET NO.	OF	SCALE	APP'D	
DESIGNED	BY	DATE	QUANTITIES	CADD
DESIGN CK.	BY	DATE	QUAN. CK.	CADD CK.